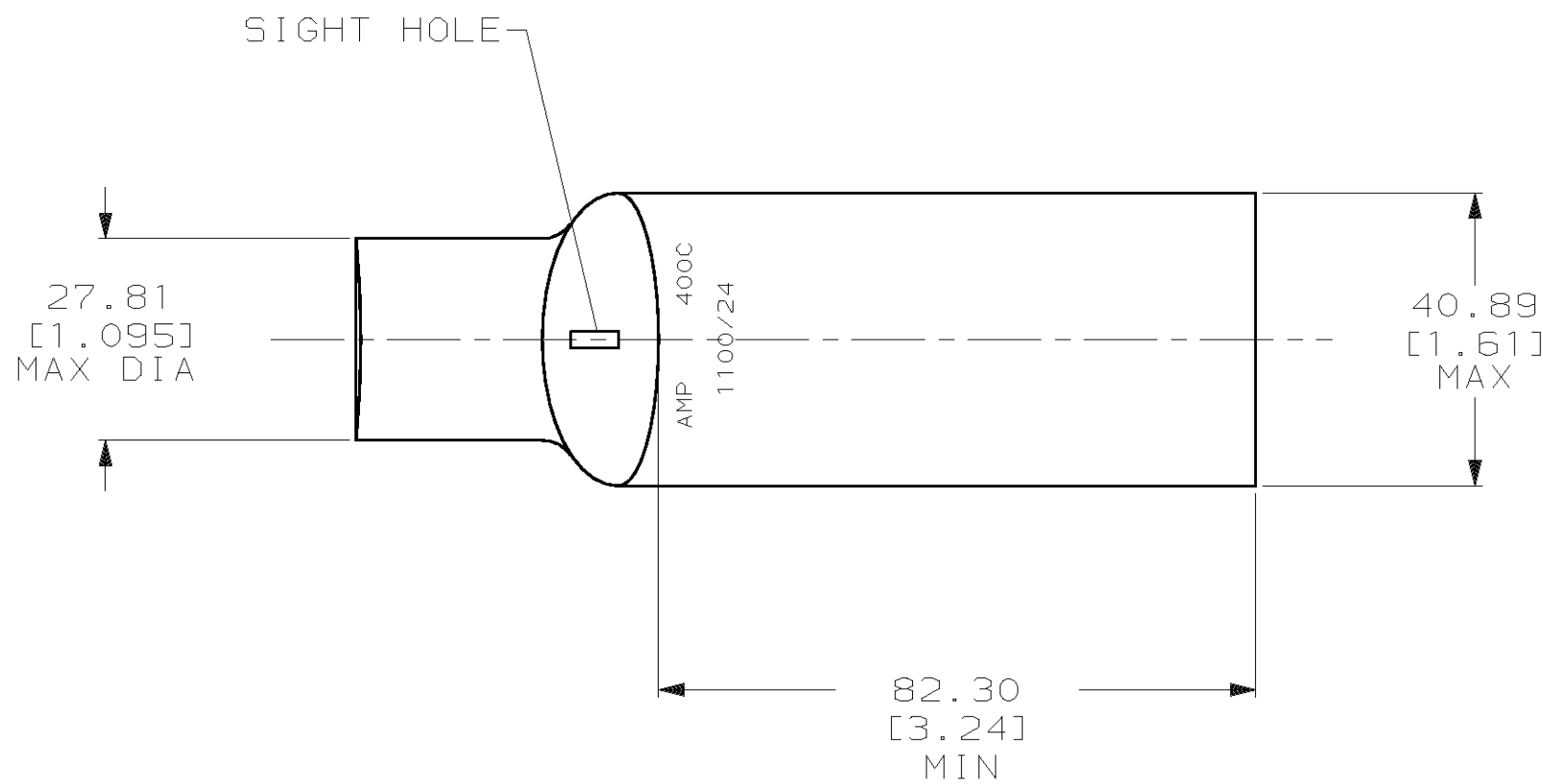
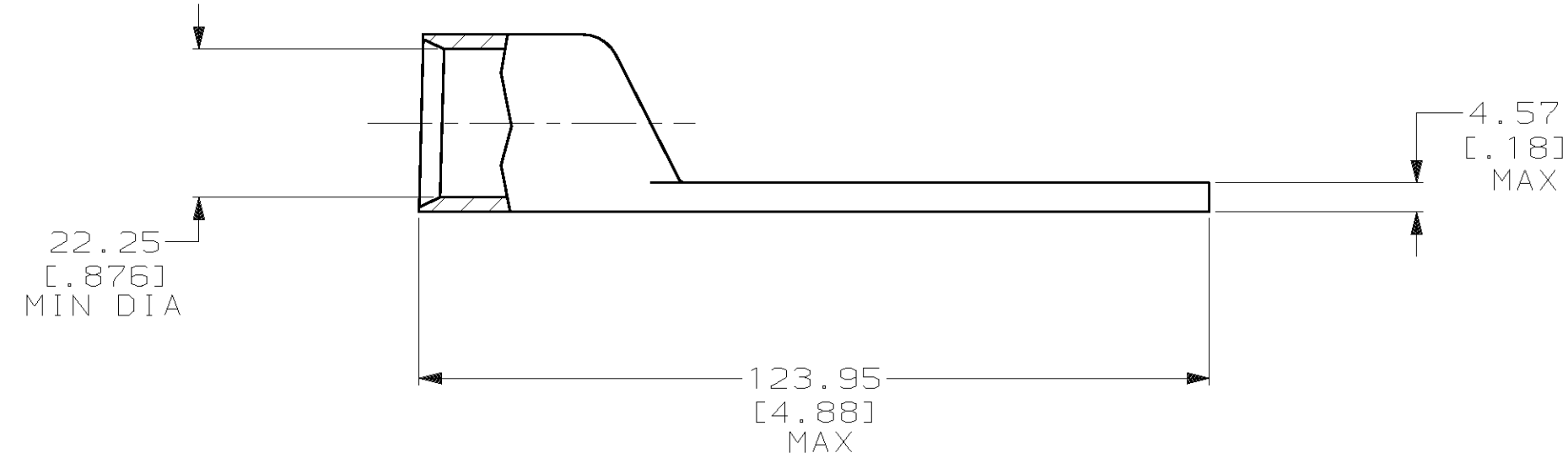


THIS DRAWING IS UNPUBLISHED. RELEASED FOR PUBLICATION, 19 .
 © COPYRIGHT 19 BY AMP INCORPORATED. ALL INTERNATIONAL RIGHTS RESERVED.

| LOC | DIST | P | F | ZONE | LTR | DESCRIPTION | DATE | APPD |
|-----|------|---|---|------|-----|----------------------|---------|------|
| G | 86 | | | | U | REV PER 063A-0561-01 | 08OCT02 | JR |



1 CIRCULAR MIL AREA RANGE: 375-450 MCM
 2 TIN PL 0.00381 [0.00150] MIN THK PER MIL-T-10727



326016

B

A

326016
 PART NO

| | | | | | |
|---|--|---------------------------|--|---|--|
| DO NOT SCALE PRINT. UNLESS SPECIFIED DIMENSIONS IN mm [INCHES] TOLERANCES ON : 2 PLC DEC ± 0.51 [0.020] 3 PLC DEC ± - ANGLES ± - | | DR 03/16/90 DK SCHRUM | | AMP INCORPORATED Harrisburg, Pa. 17105 | |
| MATERIAL ANNEALED COPPER ASTM B-75 | | CHK 23JAN95 MS FEHER | | | |
| FINISH | | APPD 23JAN95 WJ VOCKROTH | | NAME TERMINAL, AMPPOWER™ WIRE SIZE: 400 MCM | |
| | | APPD 23JAN95 TL SHUTTER | | DRAWING NO 326016 | |
| | | PRODUCT SPEC 108-30200 | | CAGE CODE 00779 | |
| | | APPLICATION SPEC - | | SCALE 1:1 | |
| | | WEIGHT .403 LB | | SHEET 1 OF 1 | |

