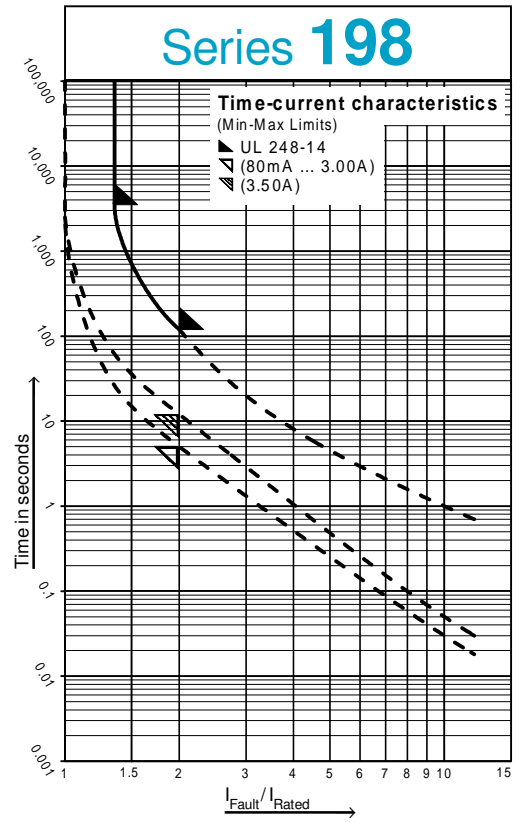
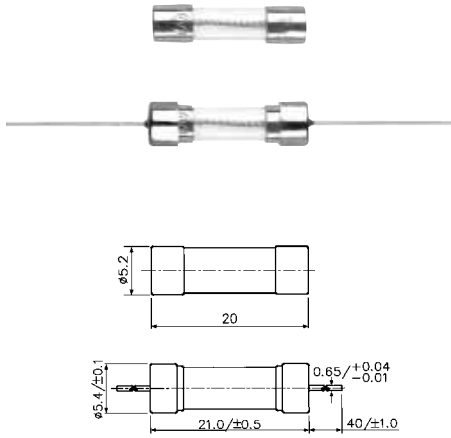


**5x20mm
Time-Delay**

UL 248-14

- **FaxBack Document # 201**
- **Equivalent to:**
Bussmann series GMD, GMD-V
Littelfuse series 239, 238
- **Glass tube**
Brass caps, nickel-plated
- **Approvals:**
UL Listed: File No. E 67006
CSA Certified: File No. 51378
- **Packaging:**
00: Bulk (1000 pcs. per Box)
02: Pack (10 pcs. per Pack)
40: Axial Leads/Bulk
43: Axial Leads/Tape & Reel (1000 pcs. per Reel)



Limits for Pre-arcing Time		
Rated Current	135%	200%
80mA ... 3.00A	< 1h	5 ... 120s
3.50A	< 1h	12 ... 120s



Note: Contact WICKMANN for individual I-t curves

Permissible continuous operating current is ≤ 75% at ambient temperature of 23°C (73.4°F).

Rated Current / Rated Voltage	Amp Code	Breaking Capacity	Voltage Drop (max)		Power Dissipation (max)		Melting Integral (min)		Approvals	
			100% x I _{Rated} (mV)	100% x I _{Rated} (W)	100% x I _{Rated} (W)	1000% x I _{Rated} (A ² s)	UL	CSA		
80mA / 250V	0080	10000A at 125VAC cos φ = 0.7-0.8	2800	0.4	0.019	•	•			
100mA / •	0100		2400	0.5	0.038	•	•			
125mA / •	0125		2100	0.5	0.066	•	•			
150mA / •	0150		1800	0.5	0.1	•	•			
200mA / •	0200		1300	0.6	0.18	•	•			
250mA / •	0250		1100	0.7	0.29	•	•			
300mA / •	0300		1050	0.7	0.5	•	•			
400mA / •	0400		850	0.8	1	•	•			
500mA / •	0500		650	0.8	1.6	•	•			
600mA / •	0600		550	0.8	2.7	•	•			
700mA / •	0700	500	0.9	3.7	•	•				
800mA / •	0800	400	0.9	5.6	•	•				
1.00A / •	1100	350	1.0	9.5	•	•				
1.25A / •	1125	10000A at 125VAC ~	300	1.0	15	•	•			
1.60A / •	1160		270	1.1	25	•	•			
2.00A / •	1200		235	1.1	46	•	•			
2.50A / •	1250	100A at 250VAC ~	215	1.2	83	•	•			
3.00A / •	1300		200	1.3	110	•	•			
3.50A / •	1350		200	1.3	180	•	•			

• **Order Information**

Qty.	Order-Number	Series	Amp Code	Packaging
		198		0