

DWG. 10.
SD-35413-002

SIMILAR ITEM

PROJECT NO.

C

B

DO NOT SCALE DRAWING
DIMENSION IN METRIC

8

7

6

5

4

3

2

1

F

E

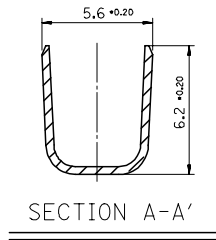
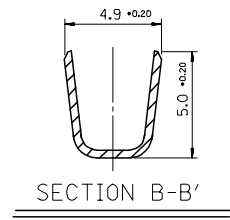
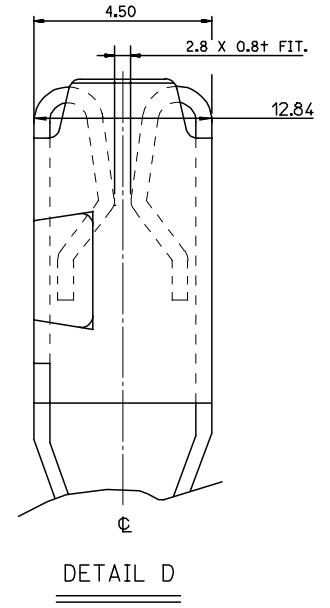
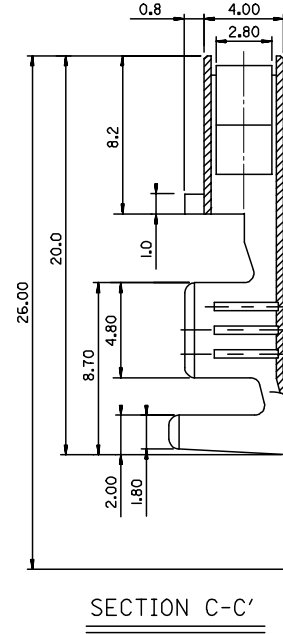
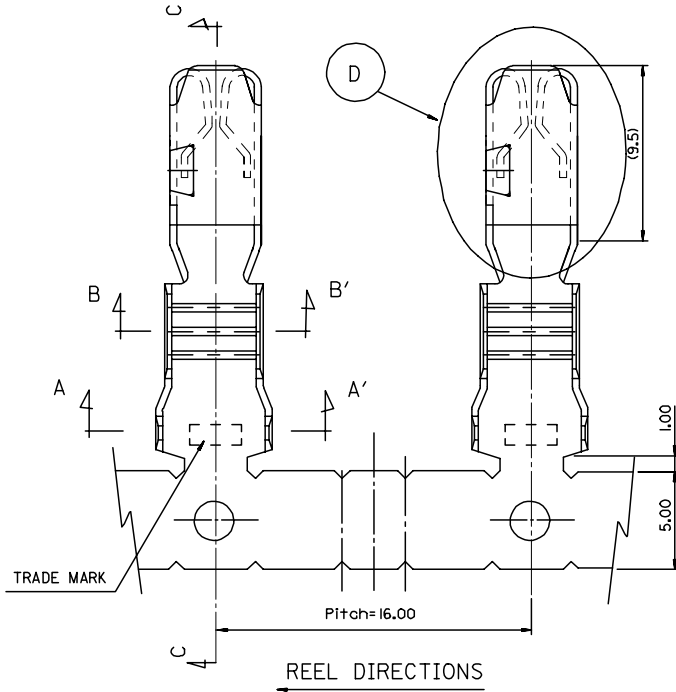
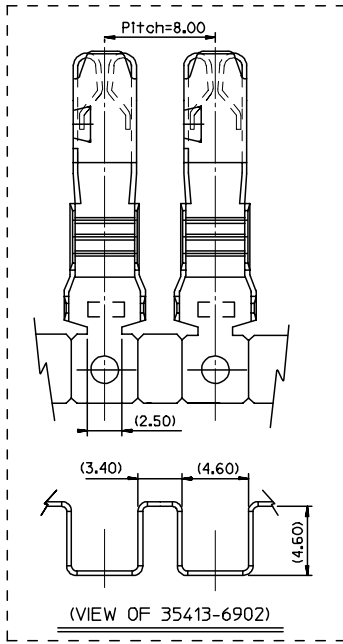
D

C

B

A

MX-A3



NOTES

1. MATERIAL: COPPER ALLOY.
2. FINISH: PRE-TIN PLATED.
3. RECOMMENDED LENGTH OF WIRE STRIP: 6.0-6.8.

ENG NO.	PITCH	WIRE SIZE
35413-6402	16.0	5.0sq
35413-6902	8.0	

NEW PRODUCT EC NO.: KOR2006-0098 DRWN: SY.PARK 06/02/06 CHK&BC: YOON 06/02/06 APPR: SH.CHOI 06/02/06	QUALITY SYMBOLS MAJOR = 0 CRITICAL = 0	GENERAL TOLERANCES: (UNLESS SPECIFIED)		SCALE 4/1	DESIGN UNITS <input checked="" type="checkbox"/> mm <input type="checkbox"/> INCH	THIRD ANGLE PROJECTION	DIMENSIONS: <input type="checkbox"/> mm <input type="checkbox"/> INCH <input checked="" type="checkbox"/> mm ONLY	SHT	REV
		4 PLACES ±0.	±	DRAWN BY & DATE SY.PARK 06/02/06		TITLE: MINI FUSE TERMINAL			
		3 PLACES ±0.	±	CHECKED BY & DATE BC.YOON 06/02/06		APPROVED BY & DATE SH.CHOI 06/02/06			
		2 PLACES ±0.2	±	CAD FILENAME SD35413-002.mi		MATERIAL NO. SEE TABLE	DRAWING NO. SD-35413-002	SHEET NO. 1/1	REVISE ON CAD ONLY
1 PLACE ±0.	±	ANGULAR ± 1.0 °		DRAWING NO. SD-35413-002		SHEET NO. 1/1		MATERIAL NO. SEE TABLE	
DRAFT WHERE APPLICABLE MUST REMAIN WITHIN DIMENSIONS		THIS DRAWING CONTAINS INFORMATION THAT IS PROPRIETARY TO MOLEX INCORPORATED AND SHOULD NOT BE USED WITHOUT WRITTEN PERMISSION.				MOLEX MOLEX INCORPORATED		SIZE B	