

6

5

4

3

2

1

E

E

D

D

C

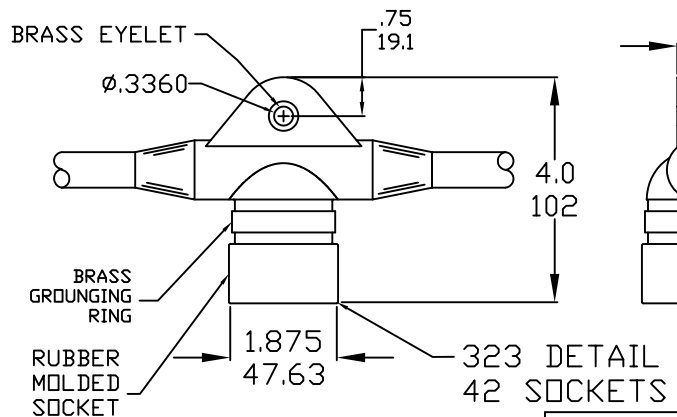
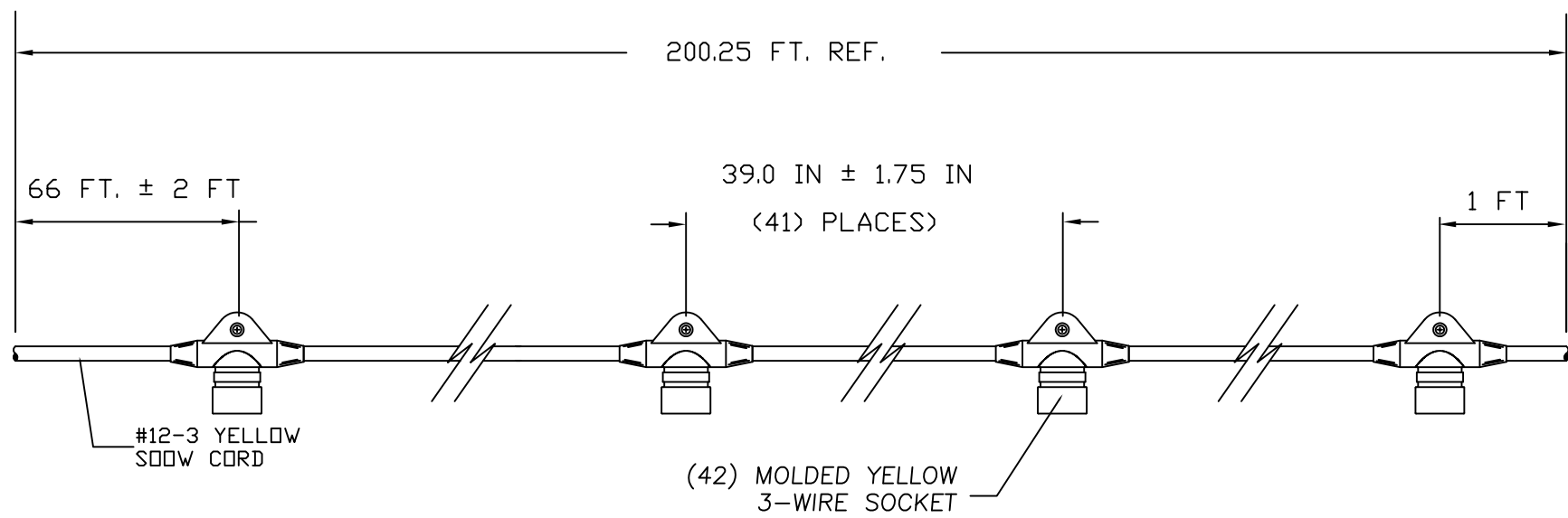
C

B

B

A

A



RELEASE DRAWING EC NO: WNA2010-0739 DRWN: TVICKERS 2010/06/02 CHKD: HK APPR: DTITUS 2010/09/03 REV A	QUALITY SYMBOLS	GENERAL TOLERANCES (UNLESS SPECIFIED)		DIMENSION STYLE IN/MM		SCALE NTS	DESIGN UNITS INCH	THIRD ANGLE PROJECTION		
	▽=0 ∇=0	mm	INCH	DRAWN BY TVICKERS	DATE 2010/06/02	TITLE STRINGLIGHT 200.25 FT. (42) 323@39 IN. CENTERS 66 FT. LEAD & 1 FT TAIL				
		4 PLACES ±---	±---	CHECKED BY HK	DATE 2010/06/02	MOLEX INCORPORATED				
		3 PLACES ±---	±0.005	APPROVED BY DTITUS	DATE 2010/09/02	MATERIAL NO. 1301060160		DOCUMENT NO. SD-130106-017	SHEET NO. 1 OF 1	
		2 PLACES ±0.13	±0.010	ANGULAR ±.5°		THIS DRAWING CONTAINS INFORMATION THAT IS PROPRIETARY TO MOLEX INCORPORATED AND SHOULD NOT BE USED WITHOUT WRITTEN PERMISSION				
	1 PLACE ±0.25	±0.020	DRAFT WHERE APPLICABLE MUST REMAIN WITHIN DIMENSIONS							

6

5

4

3

2

1