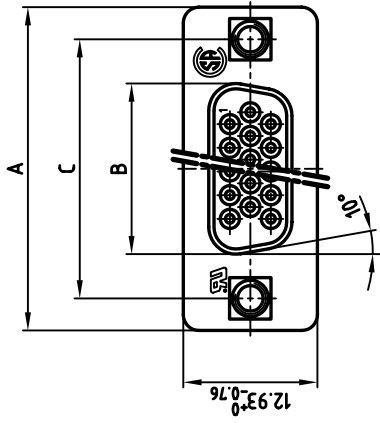
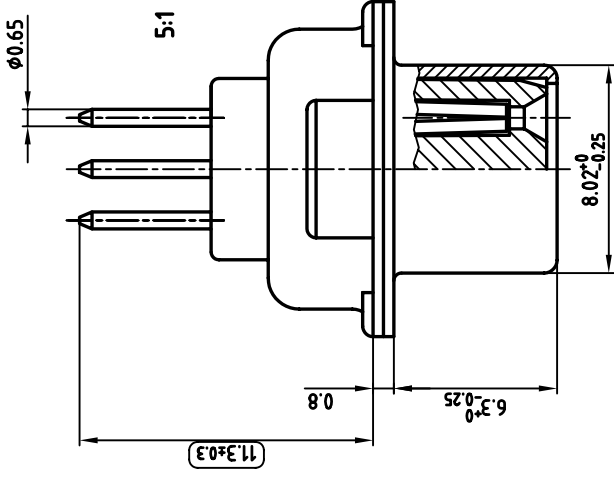
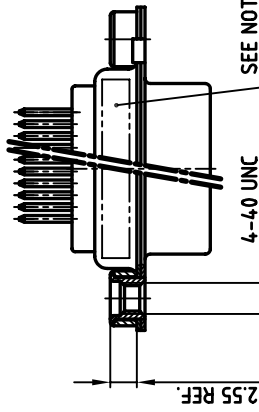
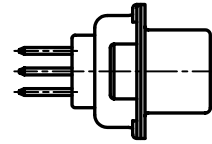


used for: D-SUB HD



POS.	A ^{-0.16}	B ^{-0.25}	C	Part NO.
15	31.19	16.46	25.00 ^{+0.12} _{-0.13}	164A17209X
26	39.52	24.79	33.30 ^{+0.15} _{-0.1}	164A17219X
44	53.42	38.50	47.04 ^{+0.13}	164A17229X
62	69.70	54.96	63.50 ^{+0.13}	164A17239X



NOTES:

- METALSHELLS: STEEL; min. 320µ" TIN
- INSULATORS: PBT GF UL 94 V-0, BLACK
- CONTACTS: COPPER ALLOY
PLATING: 8µ" HARD GOLD OVER min. 50µ" NICKEL
- THREADED INSERT: COPPER ALLOY; min. 200µ" TIN over 80µ" NICKEL
- COLLAR: COPPER ALLOY; min. 200µ" TIN over 80µ" NICKEL
- P.C.B. HOLE DRILLINGS ON DRAWING NO.: 16V1H6B
- MAXIMUM TORQUE VALUE FOR THREAD: 6" LBS
- CONNECTOR IS PART MARKED: [PART-NO.] CONEC Y/WW
- [] = CHECK GAUGE



APPROVAL # FREIGABE # DEBLOCKAGE # AUTORIZACION # APPROVAL

CUSTOMER APPROVAL DATE:

NAME: _____ TITLE: _____

COMPANY NAME: _____

APPROVAL # FREIGABE # DEBLOCKAGE # AUTORIZACION # APPROVAL

THIS DRAWING MAY NOT BE COPIED OR REPRODUCED IN ANY WAY, AND MAY NOT BE PASSED ON TO A THIRD PARTY WITHOUT WRITTEN PERMISSION.
OWNERSHIP AND COPYRIGHT OF CONEC GMBH
DO NOT ALTER CAD DRAWING BY HAND

tolerance	dim. in mm	name	date	rev.	description	date	name
		2003	01.04.				
		drawn	01.04.				
		appd.	01.04.				
		norm	DIN 41652				
		e-old					

scale: 2:1 (5:1)
material: SEE NOTES

title: D-SUB HD FEMALE
15-62pos. PIN VERSION
with threaded insert

dwg no: 16K1A935
AutoCAD 2000

DIN-A 3
sh: 1/1

part no: SEE TABLE

