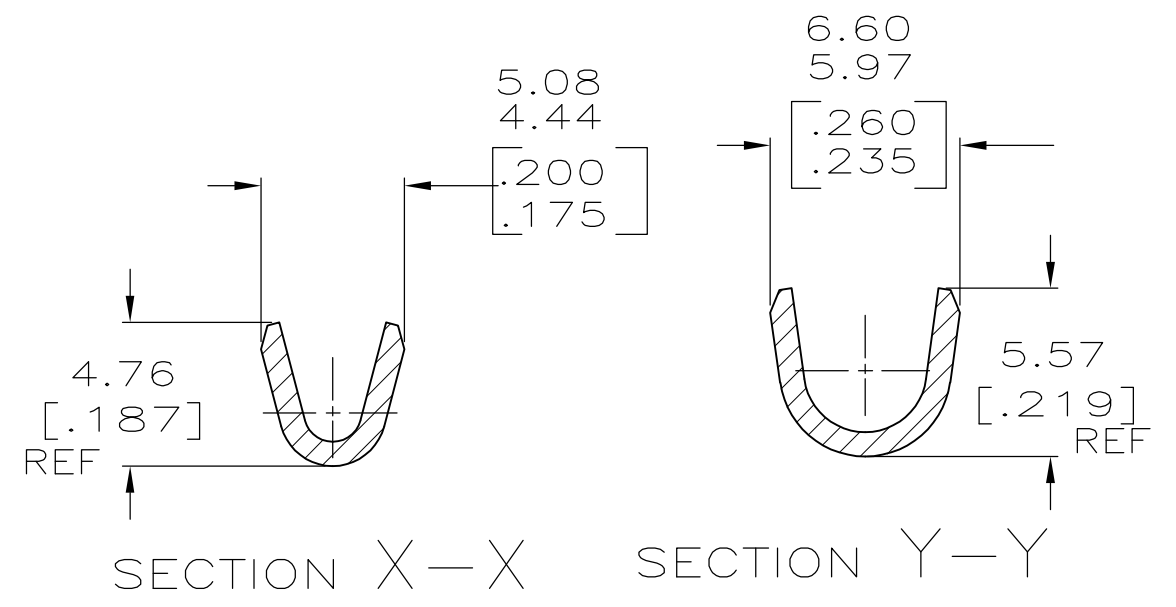
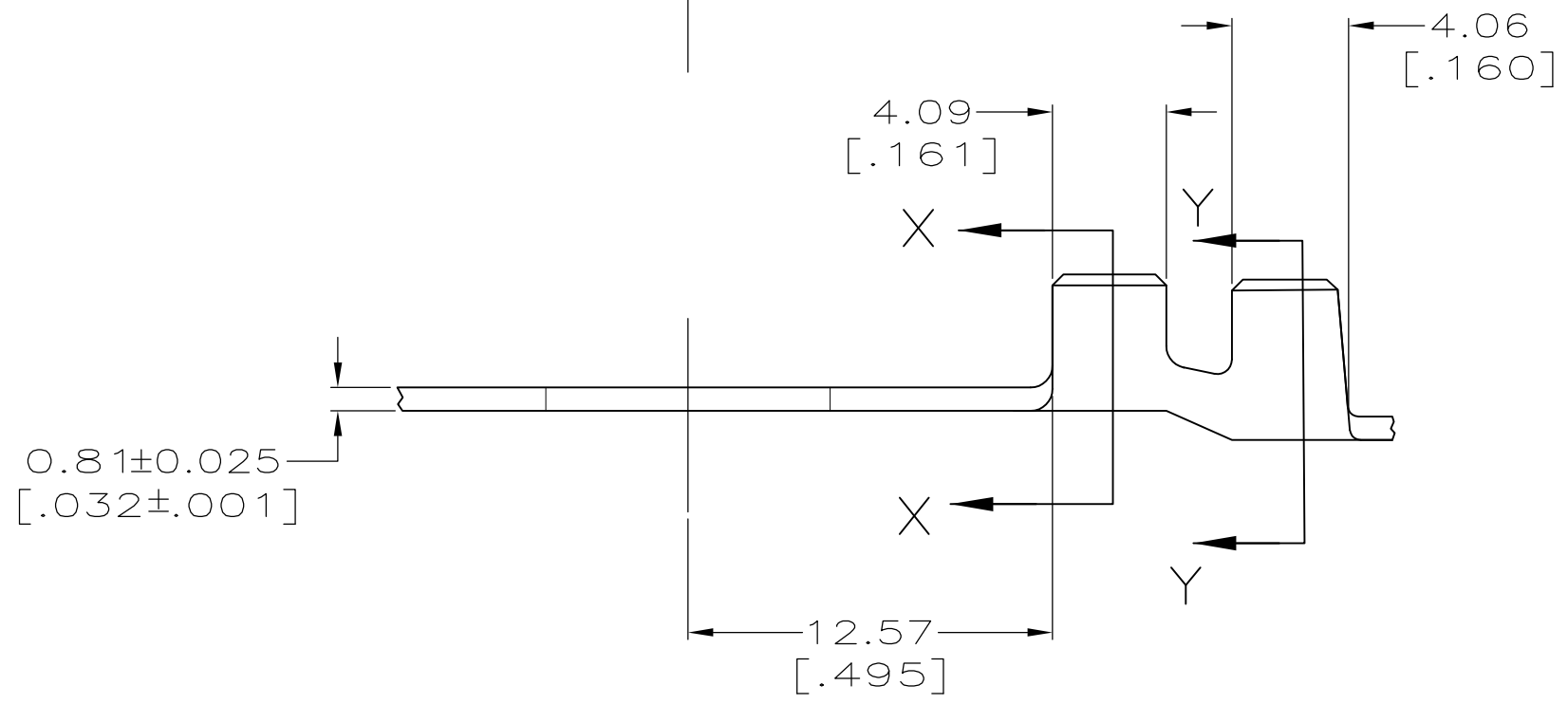
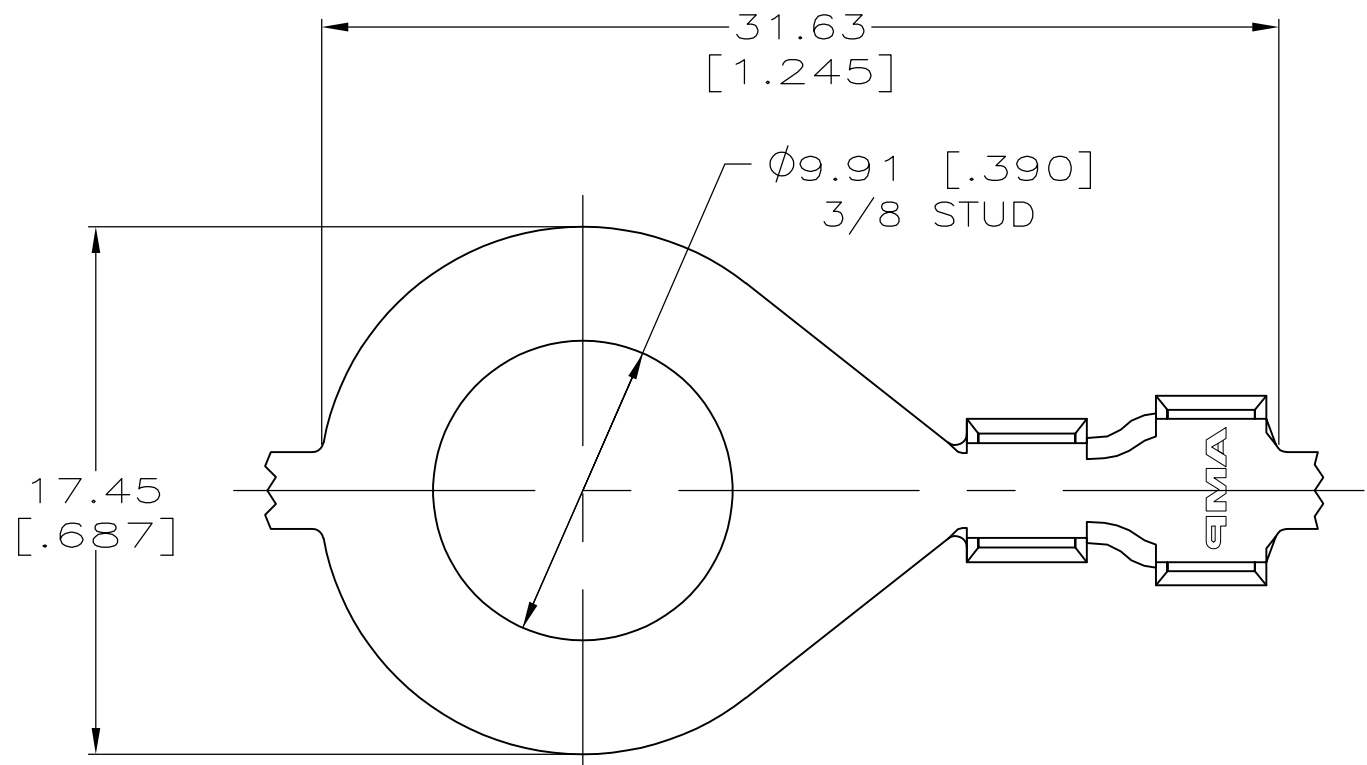


THIS DRAWING IS UNPUBLISHED. RELEASED FOR PUBLICATION
 © COPYRIGHT BY TYCO ELECTRONICS CORPORATION. ALL INTERNATIONAL RIGHTS RESERVED.

| LOC | DIST | REVISIONS | | | |
|-----|------|-------------|---------------------------|---------|--------|
| P | LTR | DESCRIPTION | DATE | DWN | APVD |
| AF | 50 | B1 | REVISED PER ECR-10-015031 | 29JUL10 | HMR PD |

- CONTINUOUS STRIP ON REELS.
- WIRE SIZE IS [#16-#14] AWG.
- INSULATION RANGE IS 3.05-4.57 [.120-.180] DIA.



1217330-1
PART NO.

| | | | | | |
|---|--|------------------|----------|---------------|---|
| THIS DRAWING IS A CONTROLLED DOCUMENT. | | DWN | JR RUTH | 09FEB00 | Tyco Electronics Corporation Harrisburg, PA 17105-3608 |
| DIMENSIONS: mm [INCHES] | | CHK | MS FEHER | 09FEB00 | |
| TOLERANCES UNLESS OTHERWISE SPECIFIED: | | APVD | D DECKER | 09FEB00 | |
| 0 PLC ± - 1 PLC ± - 2 PLC ± 0.25 [.010] 3 PLC ± - 4 PLC ± - ANGLES ± - | | PRODUCT SPEC | | NAME | |
| MATERIAL | | APPLICATION SPEC | | RING TONGUE | |
| 082 BRASS | | FINISH | | TIN | |
| | | WEIGHT | | - | |
| | | CUSTOMER DRAWING | | SIZE | A3 |
| | | | | CAGE CODE | 00779 |
| | | | | DRAWING NO | G-1217330 |
| | | | | RESTRICTED TO | - |
| | | | | SCALE | 4:1 |
| | | | | SHEET | 1 OF 1 |
| | | | | REV | B1 |