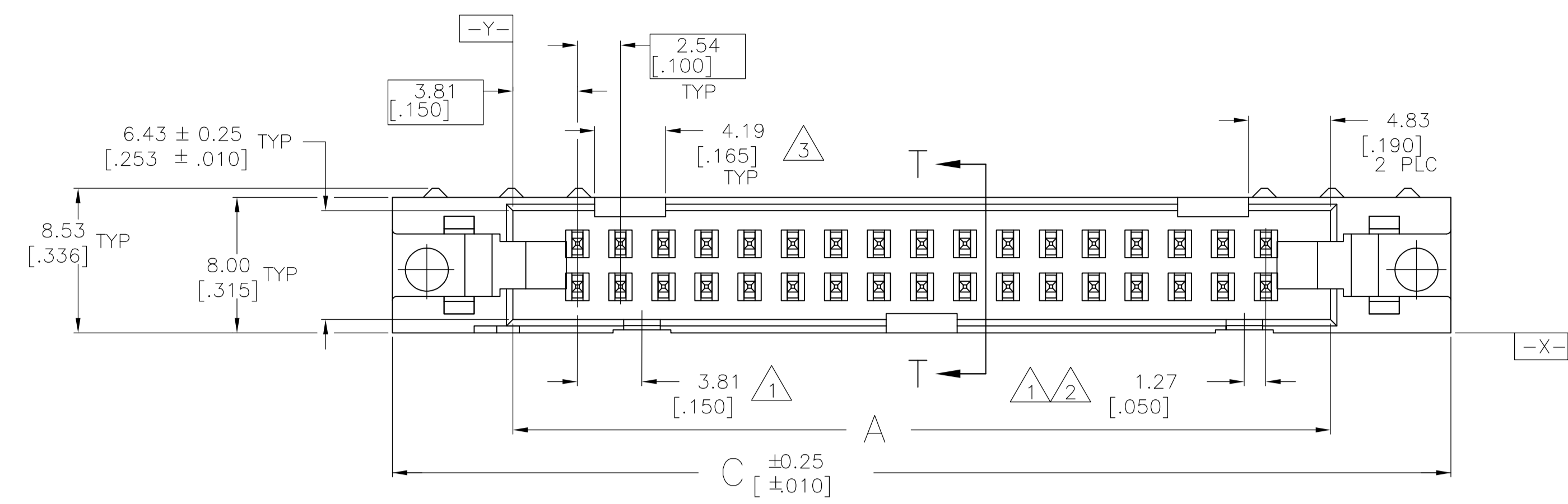
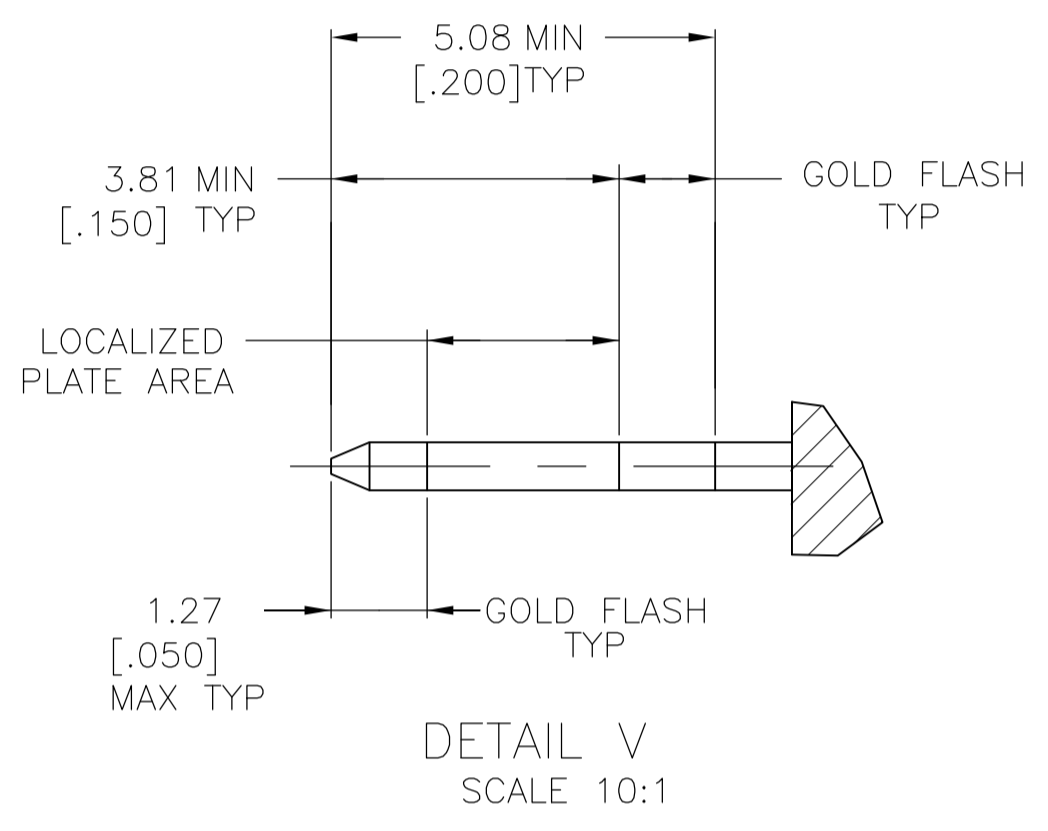
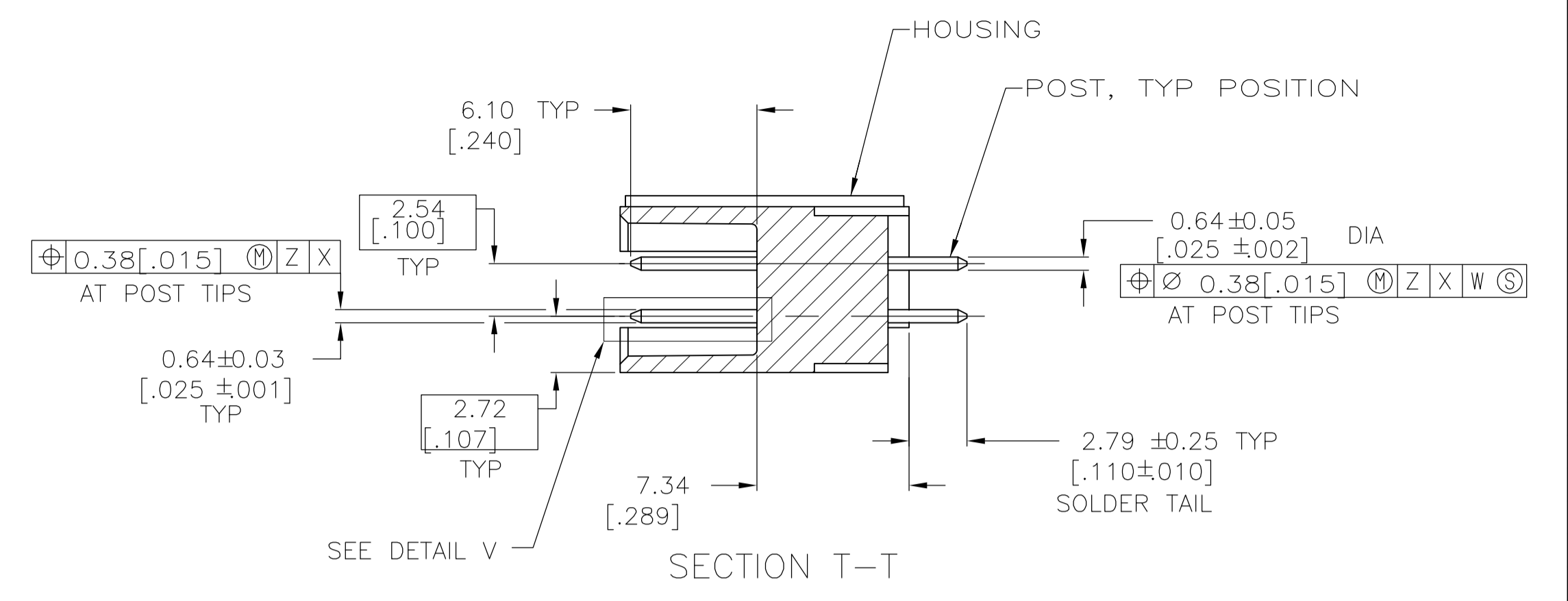


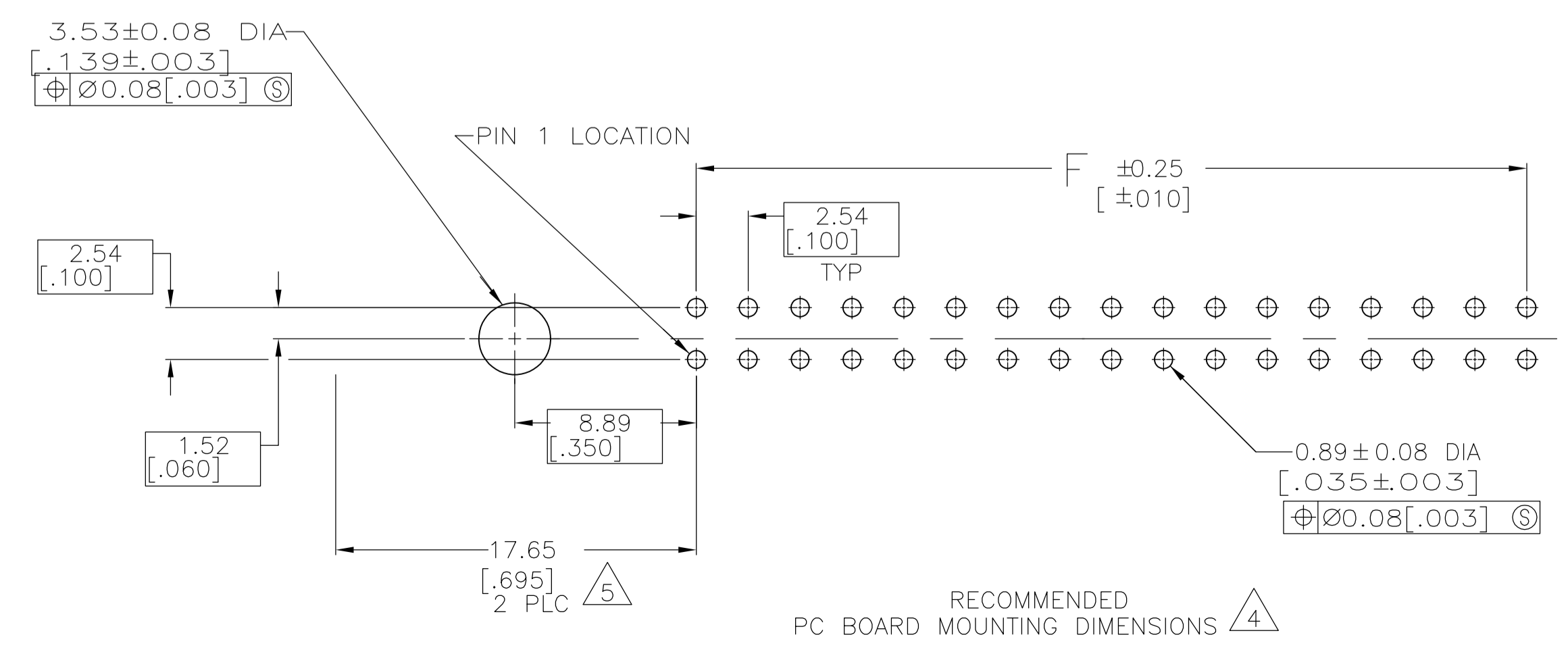
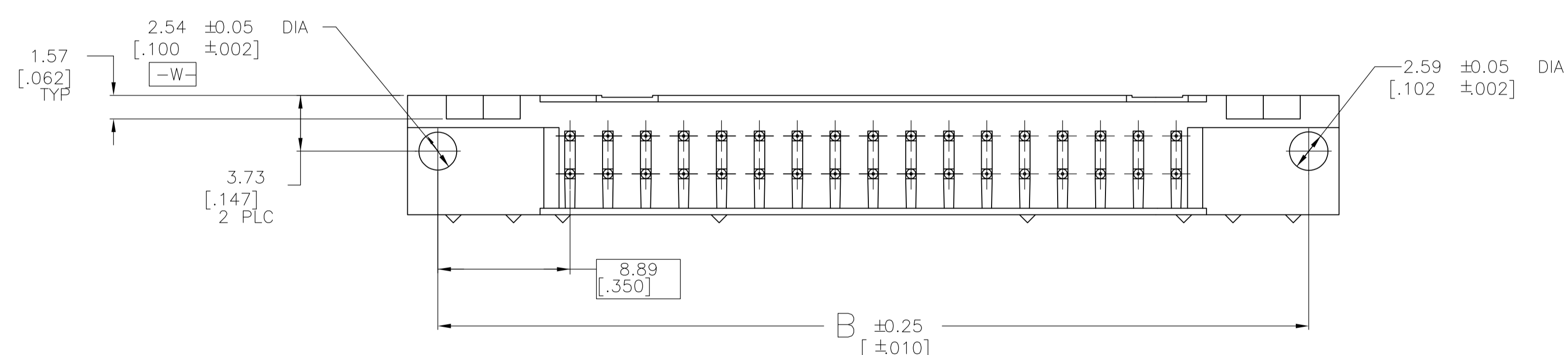
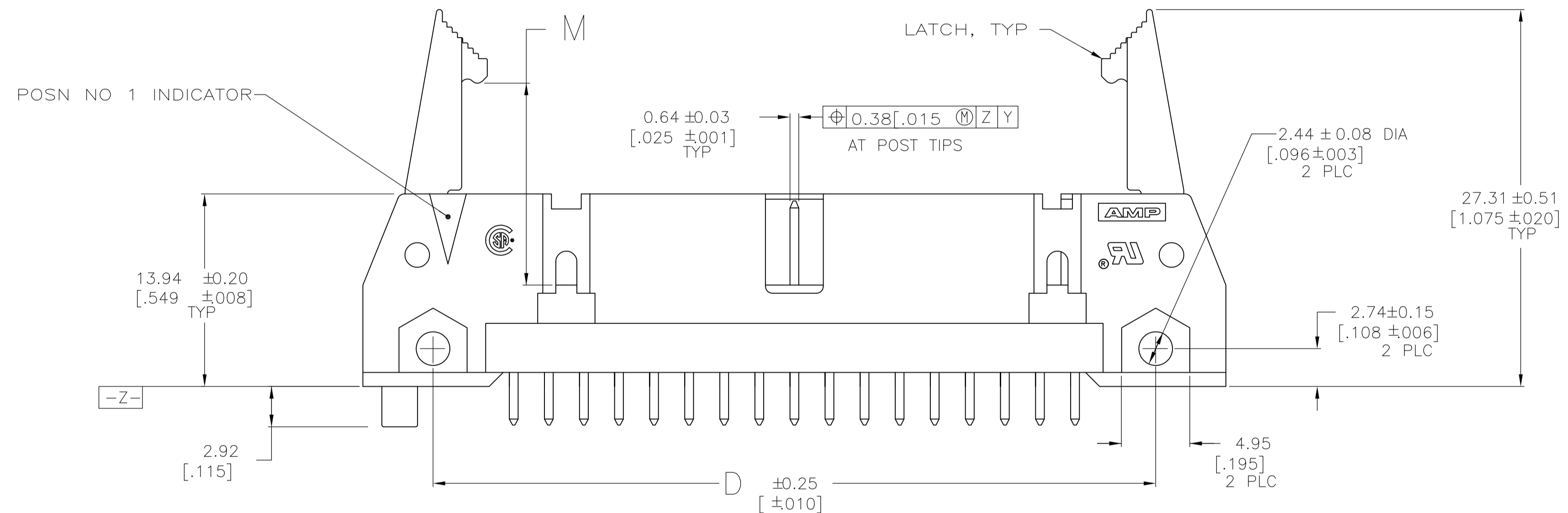
REVISIONS					
P	LTR	DESCRIPTION	DATE	DMN	APVD
C1		ADD PART 9--2	04MAY17	IT	WH



EJECTION LATCHES OMITTED IN THIS VIEW FOR CLARITY



- 1 COORDINATE DIMENSION APPLIES FROM BASIC LOCATION.
- 2 10 AND 14 POSITION SIZES CONTAIN ONLY ONE SLOT FOR SNAP-IN POLARIZER (MILITARY POLARIZATION) LOCATED AS SHOWN.
- 3 10 POSITION SIZES CONTAIN ONLY ONE SLOT FOR DUAL POLARIZATION, LOCATED AS SHOWN.
- 4 RECOMMENDED PRINTED CIRCUIT BOARD THICKNESS IS 1.57 [.062].
- 5 DISTANCE REQUIRED BY EJECTION LATCHES IN THE OPEN
- 6 HOUSING MATERIAL: GLASS FILLED NYLON OR POLYESTER, 94V-0 RATED. COLOR: BLACK. CONTACT MATERIAL: PH BRZ OR BRASS.
- 7 POSTS: GOLD FLASH OVER PALLADIUM-NICKEL PLATE, 0.38µm [.000015] MIN TOTAL ON THE LOCALIZED PLATE AREA, 2.54µm [.000100] MIN TIN-LEAD PLATE ON THE SOLDER-TAIL, 1.27µm [.000050] MIN NICKEL UNDERPLATE ON THE ENTIRE POST. OR 0.38µm [.000015] MIN GOLD PLATE ON THE LOCALIZED PLATE AREA, 2.54µm [.000100] MIN TIN-LEAD PLATE ON THE SOLDER-TAIL, 1.27µm [.000050] MIN NICKEL UNDERPLATE ON THE ENTIRE POST.
- 8 OBSOLETE PARTS: OBSOLETE CIS STREAMLINING PER D.RENAUD/D.SINISI



RECOMMENDED PC BOARD MOUNTING DIMENSIONS 4

14.25 [.561]	15.24 [.600]	26.92 [1.060]	37.08 [1.460]	33.02 [1.300]	22.86 [.900]	14	9-678004-2
14.63 [.576]	15.24 [.600]	26.92 [1.060]	37.08 [1.460]	33.02 [1.300]	22.86 [.900]	14	678004-2
M	F	D	C	B	A	NO OF POSN	PART NUMBER

THIS DRAWING IS A CONTROLLED DOCUMENT. DIN T. SHUEY * 4-24-97

TE Connectivity

HEADERS ASSEMBLY, UNIVERSAL, AMP LATCH

0.000000 A1 00779 C=678004

SCALE 4:1 SHEET 1 OF 1 REV C1