

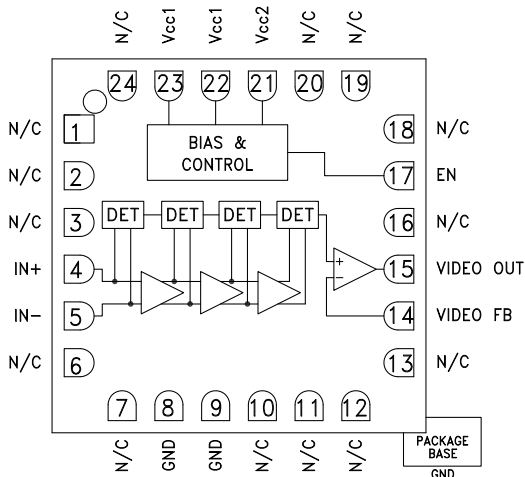


## Typical Applications

The HMC613LC4B is ideal for:

- EW, ELINT & IFM Receivers
- DF Radar Systems
- ECM Systems
- Broadband Test & Measurement
- Power Measurement & Control Circuits
- Military & Space Applications

## Functional Diagram



## SUCCESSIVE DETECTION LOG VIDEO AMPLIFIER (SDLVA), 0.1 - 20 GHz

### Features

- Wide Input Bandwidth; 0.1 to 20 GHz
- High Logging Range: 59 dB (-54 to +5) @ 18 GHz
- Output Frequency Flatness:  $\pm 1.5$  dB
- Log Linearity:  $\pm 1$  dB
- Fast Rise/Fall Times: 4/18 ns
- Recovery Time: 26 ns
- Single Positive Supply: +3.3V
- Space Level Packaging Available
- 24 Lead 4x4mm SMT Package: 16mm<sup>2</sup>

### General Description

The HMC613LC4B is a Successive Detection Log Video Amplifier (SDLVA) which operates from 0.1 to 20 GHz. The HMC613LC4B provides a logging range of 59 dB. This device offers typical fast rise/fall times of 4/18 ns and a superior delay time of 14 ns. The HMC613LC4B log video output slope is typically 14 mV/dB. Maximum recovery times are less than 30 ns. The HMC613LC4B is available in a highly compact 4x4 mm SMT ceramic package and is ideal for high speed channelized receiver applications.

## Electrical Specifications, $T_A = +25^\circ\text{C}$ $V_{cc1} = V_{cc2} = +3.3\text{V}$

| Parameter   | Conditions              | Typ.         | Units                          |
|---|-------------------------|--------------|--------------------------------|
| Input Frequency Range <sup>[1][2]</sup>           |                         | 0.1 to 20    | GHz                            |
| Frequency Flatness                                | Pin = -25 dBm           | $\pm 1.5$    | dB                             |
| Log Linearity                                     | Pin = -50 dBm to +3 dBm | $\pm 1$      | dBm                            |
| Log Linearity over Temperature                    | Pin = -25dBm            | $\pm 1$      | dB                             |
| Minimum Logging Range                             | to $\pm 3$ dB error     | -54 @ 18 GHz | dBm                            |
| Maximum Logging Range                             | to $\pm 3$ dB error     | 5 @ 18 GHz   | dBm                            |
| Input Return Loss                                 |                         | 8            | dB                             |
| Log Video Minimum Output Voltage                  |                         | 1            | V                              |
| Log Video Maximum Output Voltage                  |                         | 1.8          | V                              |
| Log Video Output Rise Time                        | 10% to 90%              | 4            | ns                             |
| Log Video Output Fall Time                        | 90% to 10%              | 18           | ns                             |
| Log Video Recovery Time                           |                         | 26           | ns                             |
| Log Video Output Slope                            |                         | 14           | mV/dB                          |
| Log Video Output Slope Variation over Temperature | @ 10 GHz                | 5            | $\mu\text{V/dB}^\circ\text{C}$ |
| Log Video Propagation Delay                       |                         | 14           | ns                             |
| Supply Current (Icc1)                             |                         | 80           | mA                             |
| Supply Current (Icc2)                             | @ Pin = -30 dBm         | 8            | mA                             |

[1] Electrical specs and performance plots are given for single-ended operation

[2] Video output load should be 1K Ohm or higher.

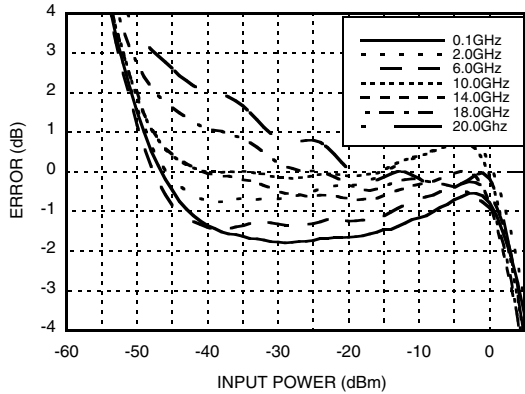
Information furnished by Analog Devices is believed to be accurate and reliable. However, no responsibility is assumed by Analog Devices for its use, nor for any infringements of patents or other rights of third parties that may result from its use. Specifications subject to change without notice. No license is granted by implication or otherwise under any patent or patent rights of Analog Devices. Trademarks and registered trademarks are the property of their respective owners.

For price, delivery, and to place orders: Analog Devices, Inc., One Technology Way, P.O. Box 9106, Norwood, MA 02062-9106  
 Phone: 781-329-4700 • Order online at [www.analog.com](http://www.analog.com)  
 Application Support: Phone: 1-800-ANALOG-D

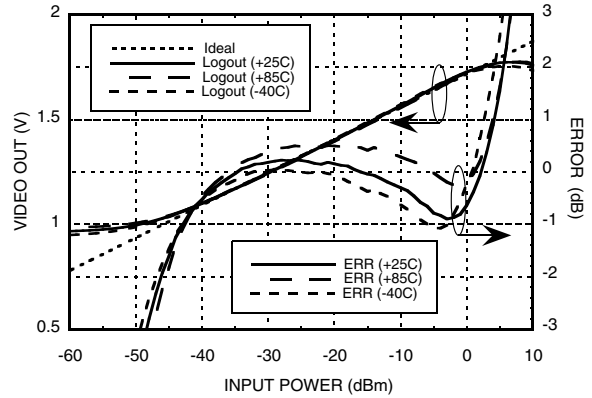


**SUCCESSIVE DETECTION LOG VIDEO AMPLIFIER (SDLVA), 0.1 - 20 GHz**

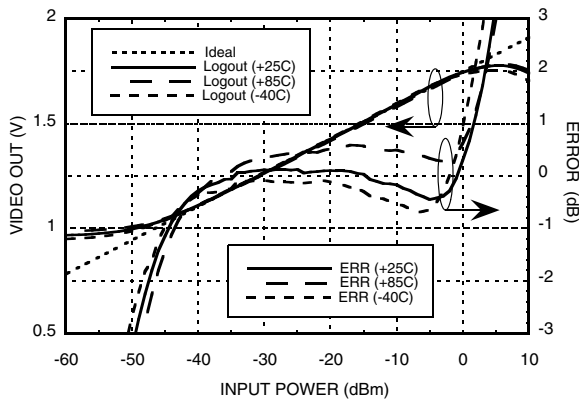
**Error Flatness vs. Input Power Over Frequency [1][2]**



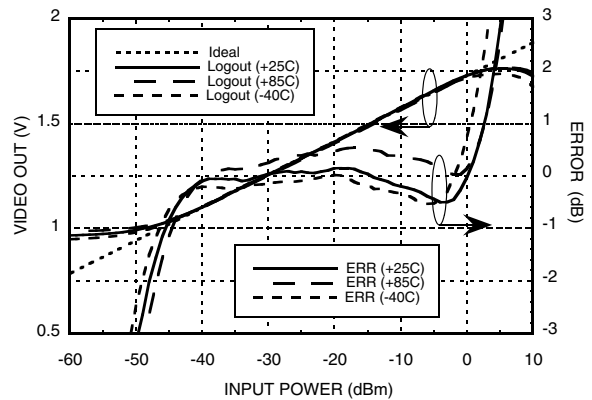
**VIDEO OUT & Error vs. Input Power, Fin = 100 MHz [1]**



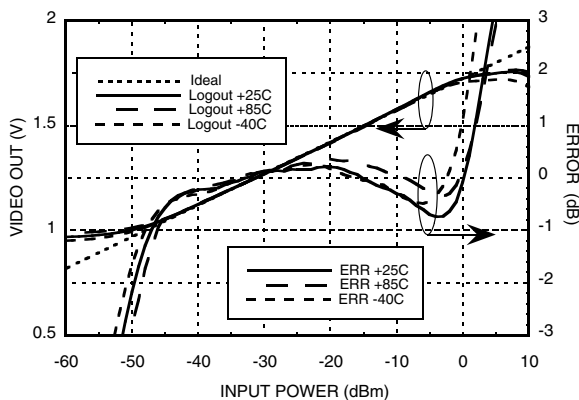
**VIDEO OUT & Error vs. Input Power, Fin = 2 GHz [1]**



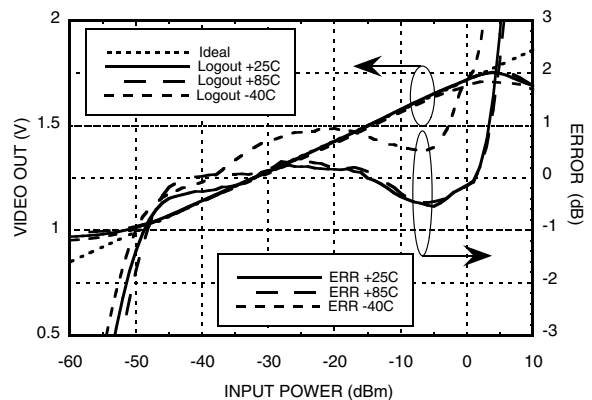
**VIDEO OUT & Error vs. Input Power, Fin = 6 GHz [1]**



**VIDEO OUT & Error vs. Input Power, Fin = 10 GHz [1]**



**VIDEO OUT & Error vs. Input Power, Fin = 14 GHz [1]**



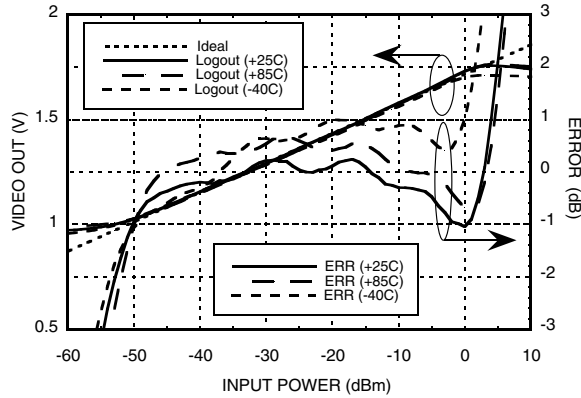
[1] Electrical Specs and performance plots are given at single-ended operation  
 [2] An average ideal line is used to calculate error curves.



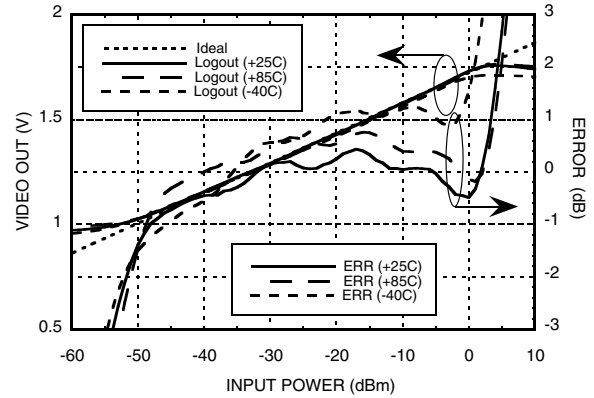
**SUCCESSIVE DETECTION LOG VIDEO AMPLIFIER (SDLVA), 0.1 - 20 GHz**

POWER DETECTORS - SMT

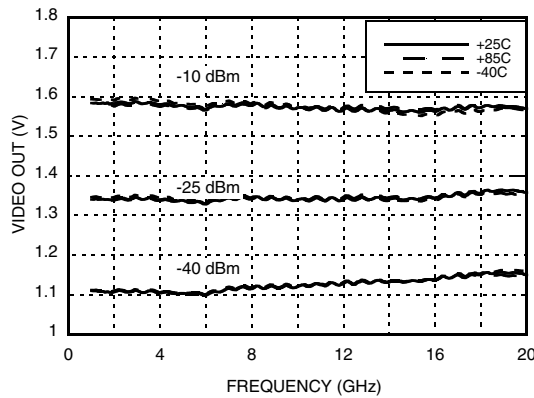
**VIDEO OUT & Error vs. Input Power,  $F_{in} = 18$  GHz [1]**



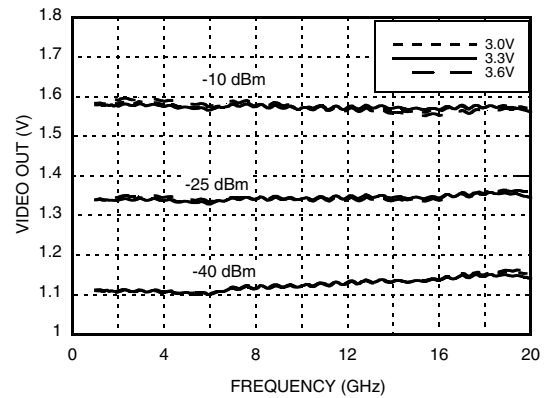
**VIDEO OUT & Error vs. Input Power,  $F_{in} = 20$  GHz [1]**



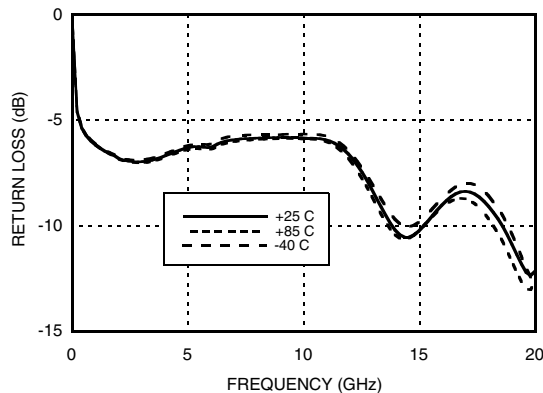
**VIDEO OUT vs. Frequency Over Input Power & Temperature [1]**



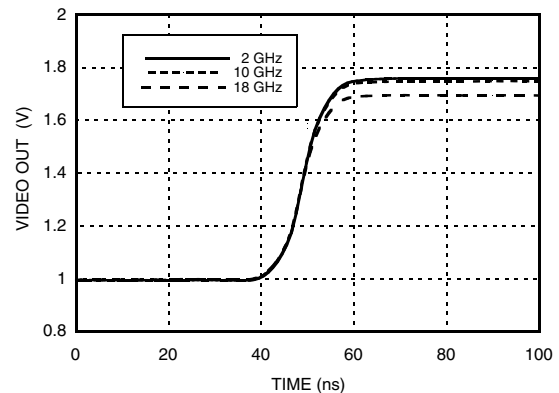
**VIDEO OUT vs. Frequency Over Input Power & Bias Voltage [1]**



**Input Return Loss vs. Frequency [1]**



**Rise Time @ Different Frequency @ 0 dBm [1]**

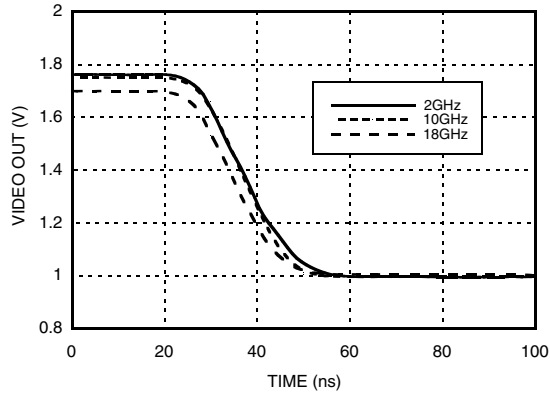


[1] Electrical Specs and performance plots are given at single-ended operation

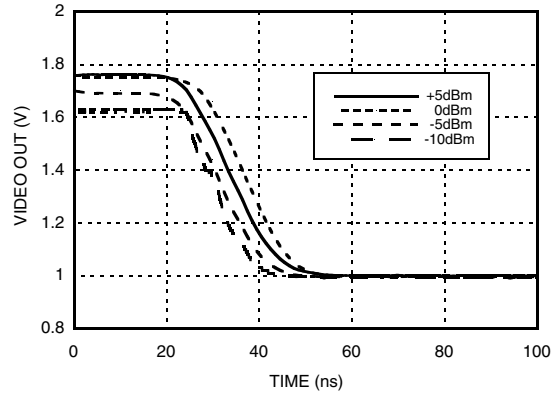


**SUCCESSIVE DETECTION LOG VIDEO  
AMPLIFIER (SDLVA), 0.1 - 20 GHz**

**Fall Time @  
Different Frequency @ 0 dBm [1]**



**Fall Time @  
Different Power Levels @ 10 GHz [1]**



[1] Electrical Specs and performance plots are given at single-ended operation

Information furnished by Analog Devices is believed to be accurate and reliable. However, no responsibility is assumed by Analog Devices for its use, nor for any infringements of patents or other rights of third parties that may result from its use. Specifications subject to change without notice. No license is granted by implication or otherwise under any patent or patent rights of Analog Devices. Trademarks and registered trademarks are the property of their respective owners.

For price, delivery, and to place orders: Analog Devices, Inc., One Technology Way, P.O. Box 9106, Norwood, MA 02062-9106 Phone: 781-329-4700 • Order online at [www.analog.com](http://www.analog.com) Application Support: Phone: 1-800-ANALOG-D



## SUCCESSIVE DETECTION LOG VIDEO AMPLIFIER (SDLVA), 0.1 - 20 GHz

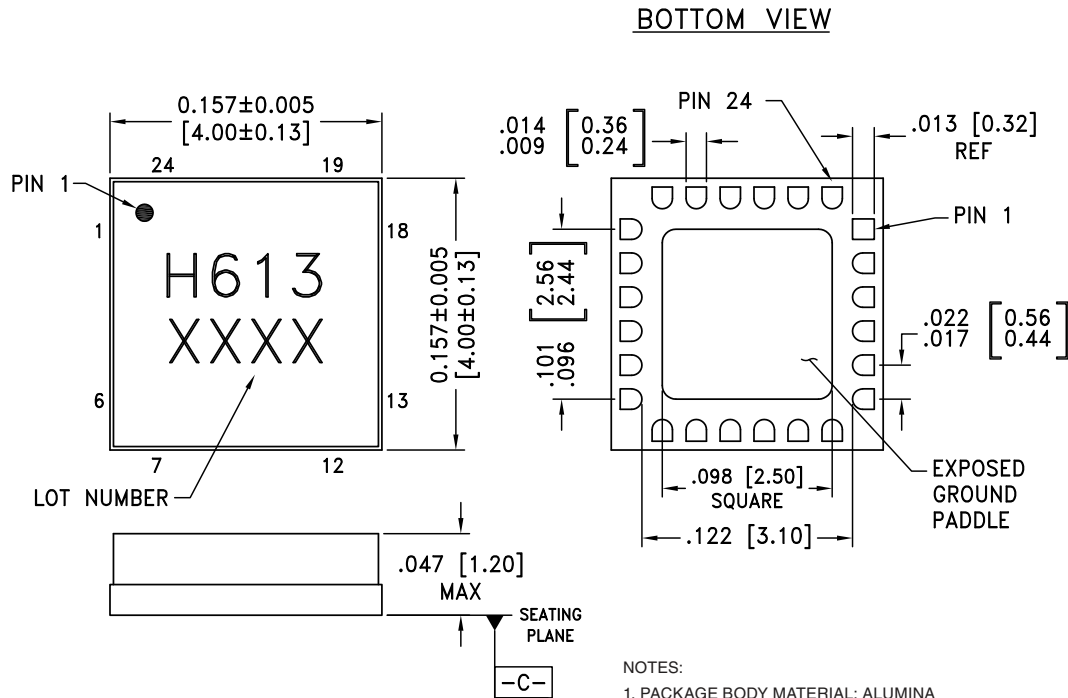
### Absolute Maximum Ratings

|   |                |
|---|----------------|
| Vcc1, Vcc2  | 3.7 V          |
| Input Signal Amplitude  | 12 dBm         |
| Junction Temperature  | 125 °C         |
| Continuous P <sub>diss</sub> (T=85 °C)<br>Derate 11.5 mW/°C above 85 °C | 0.46 W         |
| Thermal Resistance (R <sub>th</sub> )<br>(junction to package bottom)   | 87.1 °C/W      |
| Storage Temperature   | -65 to +150 °C |
| Operating Temperature   | -40 to +85 °C  |
| ESD Sensitivity (HBM)   | Class 0        |



ELECTROSTATIC SENSITIVE DEVICE  
OBSERVE HANDLING PRECAUTIONS

### Outline Drawing



### Package Information

| Part Number | Package Body Material | Lead Finish      | MSL Rating          | Package Marking <sup>[2]</sup> |
|-------------|-----------------------|------------------|---------------------|--------------------------------|
| HMC613LC4B  | Alumina, White        | Gold over Nickel | MSL3 <sup>[1]</sup> | H613<br>XXXX                   |

[1] Max peak reflow temperature of 260 °C

[2] 4-Digit lot number XXXX

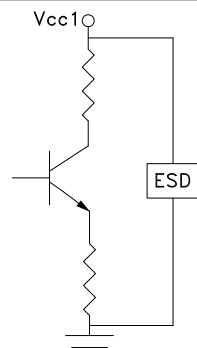
## SUCCESSIVE DETECTION LOG VIDEO AMPLIFIER (SDLVA), 0.1 - 20 GHz



### Pin Descriptions

| Pin Number               | Function            | Description   | Interface Schematic |
|--------------------------|---------------------|---|---------------------|
| 1, 2, 7, 10 - 12, 18, 19 | N/C                 | These pins are not internally connected.  |                     |
| 3, 6, 13, 16, 20, 24     | N/C                 | These pins are not connected internally. However, this product is specified with these pins connected to RF/DC Ground.  |                     |
| 4, 5                     | IN+, IN-            | RF Input pins Connect RF to IN+, and AC couple IN- to ground via 50 Ohm for single ended operation.   |                     |
| 8, 9                     | GND                 | These pins and the exposed package bottom must be connected to a high quality RF/DC ground.   |                     |
| 14, 15                   | Video FB, Video Out | Video out and feedback. These pins should be shorted to each other (see application circuit). Video out load should be at least 1K Ohm or higher.   |                     |
| 17                       | EN                  | Enable pin connected to Vcc1 or Vcc2 for normal operation. Total supply current reduced to less than 3mA when EN is set to 0V.  |                     |
| 21                       | Vcc2                | Bias Supply. Connect supply voltage to these pins with appropriate filtering. Connect Vcc2 with Vcc1. See application circuit. To ensure proper start-up supply rise time should be faster than 100usec |                     |

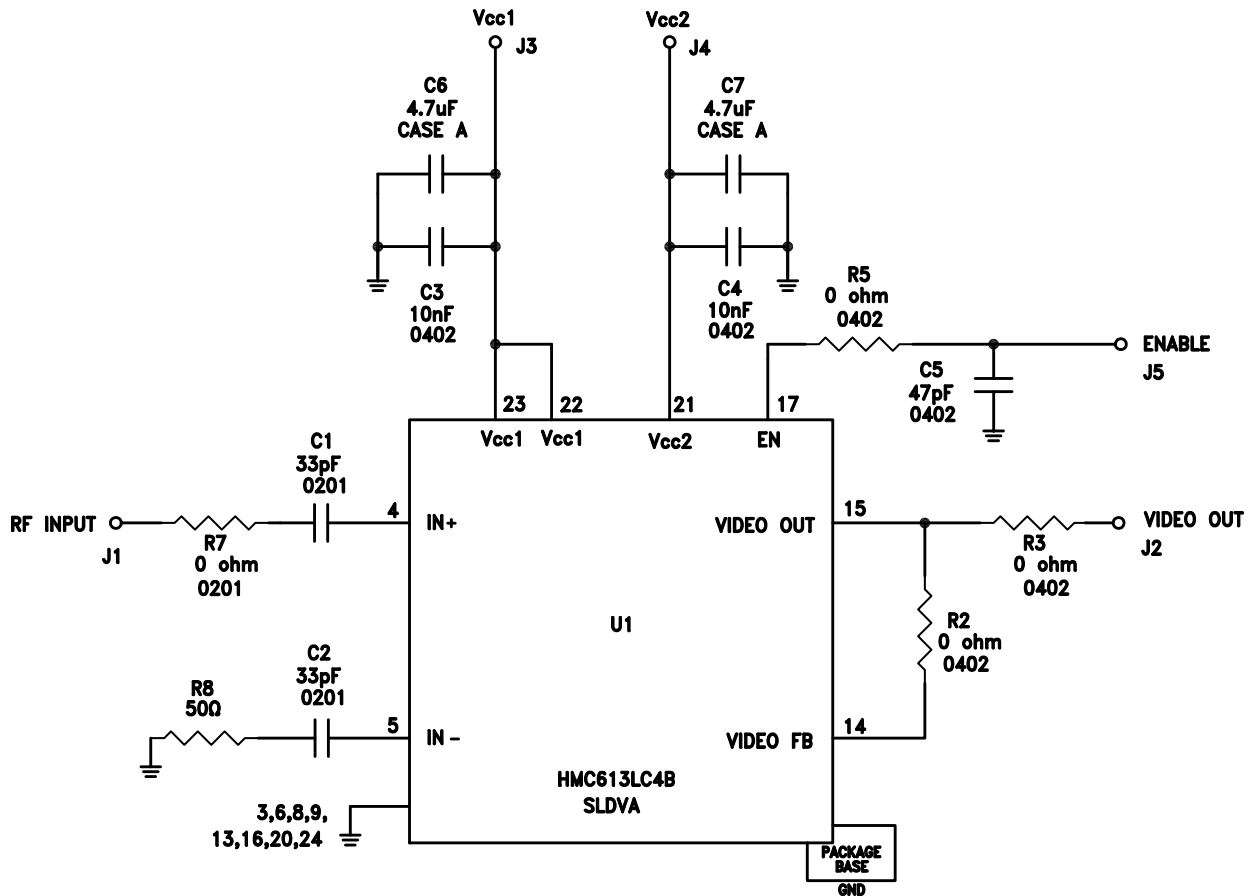

**SUCCESSIVE DETECTION LOG VIDEO  
AMPLIFIER (SDLVA), 0.1 - 20 GHz**
**Pin Descriptions**

| Pin Number | Function | Description   | Interface Schematic   |
|------------|----------|---|---|
| 22, 23     | Vcc1     | <p>Bias Supply. Connect Supply Voltage to these pins with appropriate filtering. Connect Vcc2 with Vcc1. See application circuit.</p> <p>To ensure proper start-up supply rise time should be faster than 100usec</p> |  |



**SUCCESSIVE DETECTION LOG VIDEO AMPLIFIER (SDLVA), 0.1 - 20 GHz**

**Application Circuit**



Note1: Connect Vcc2 and Vcc1 together for Nominal operation.

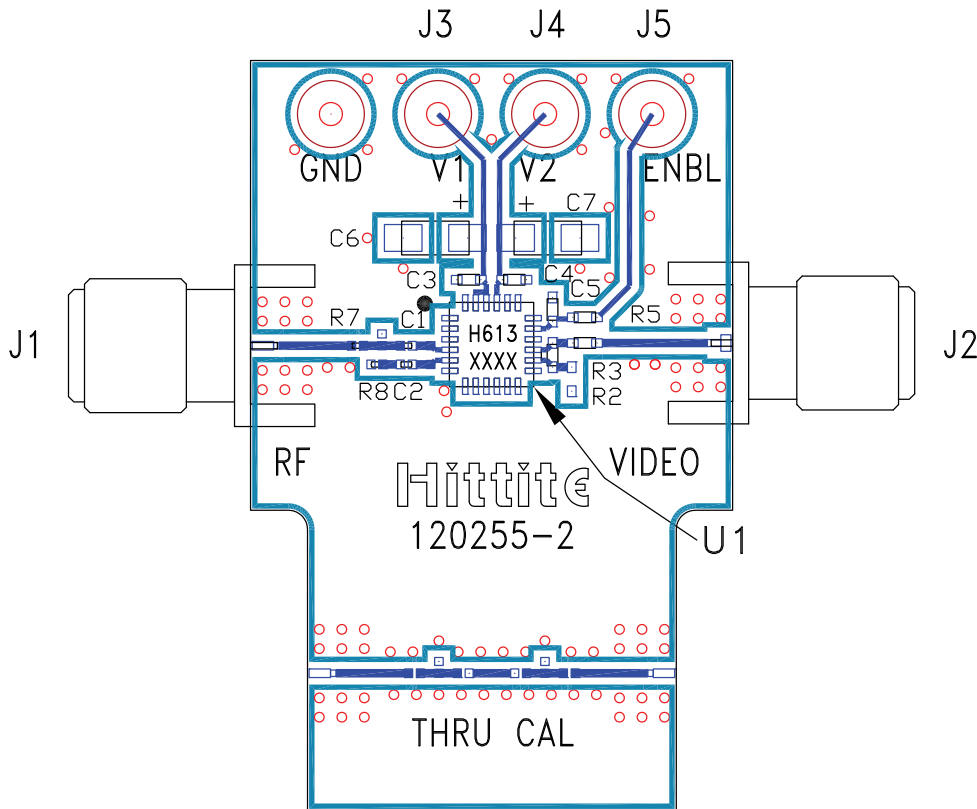
Note2: Video output load should be 1K Ohm or higher.





**SUCCESSIVE DETECTION LOG VIDEO  
AMPLIFIER (SDLVA), 0.1 - 20 GHz**

**Evaluation PCB**



**List of Materials for Evaluation PCB 120257 [1]**

| Item       | Description                   |
|------------|-------------------------------|
| J1         | K-Type Connector              |
| J2         | SMA Connector                 |
| J3 - J5    | DC Pins                       |
| C1, C2     | 33 pF Capacitor, 0201 Pkg.    |
| C3, C4     | 10k pF Capacitor, 0402 Pkg.   |
| C5         | 47 pF Capacitor, 0402 Pkg.    |
| C6, C7     | 4.7 μF Capacitor, CASE A Pkg. |
| R2, R3, R5 | 0 Ohm Resistor, 0402 Pkg.     |
| R7         | 0 Ohm Resistor, 0201 Pkg.     |
| R8         | 49.9 Ohm Resistor, 0201 Pkg.  |
| U1         | HMC613LC4B SDLVA              |
| PCB [2]    | 120255 Evaluation PCB         |

[1] Reference this number when ordering complete evaluation PCB

[2] Circuit Board Material: Arlon 25 FR

The circuit board used in the application should use RF circuit design techniques. Signal lines should have 50 Ohm impedance while the package ground leads and exposed paddle should be connected directly to the ground plane similar to that shown. A sufficient number of via holes should be used to connect the top and bottom ground planes. The evaluation circuit board shown is available from Hittite upon request.

**SUCCESSIVE DETECTION LOG VIDEO  
AMPLIFIER (SDLVA), 0.1 - 20 GHz**