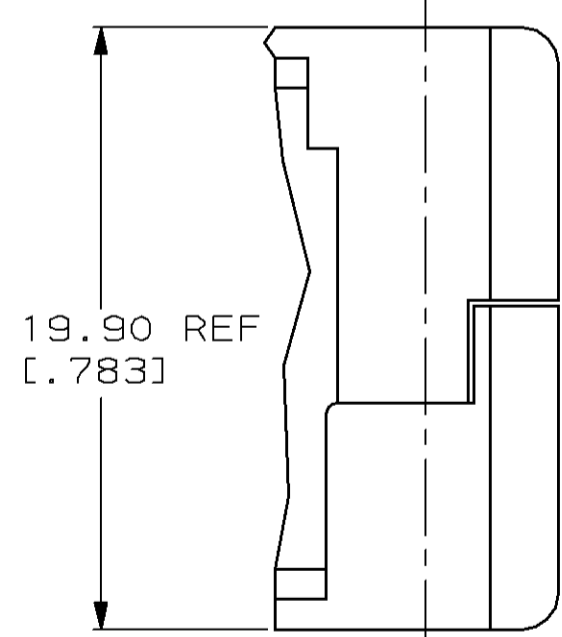
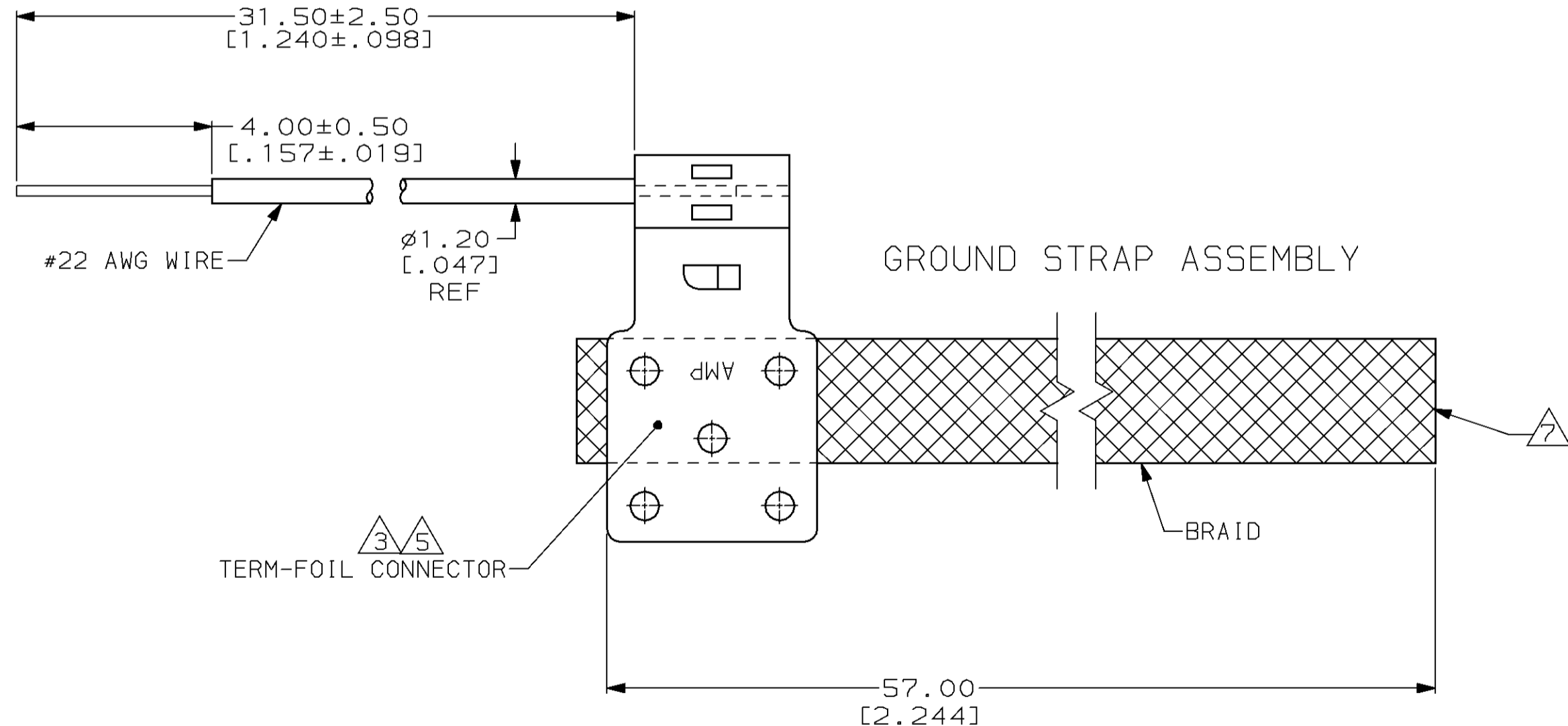
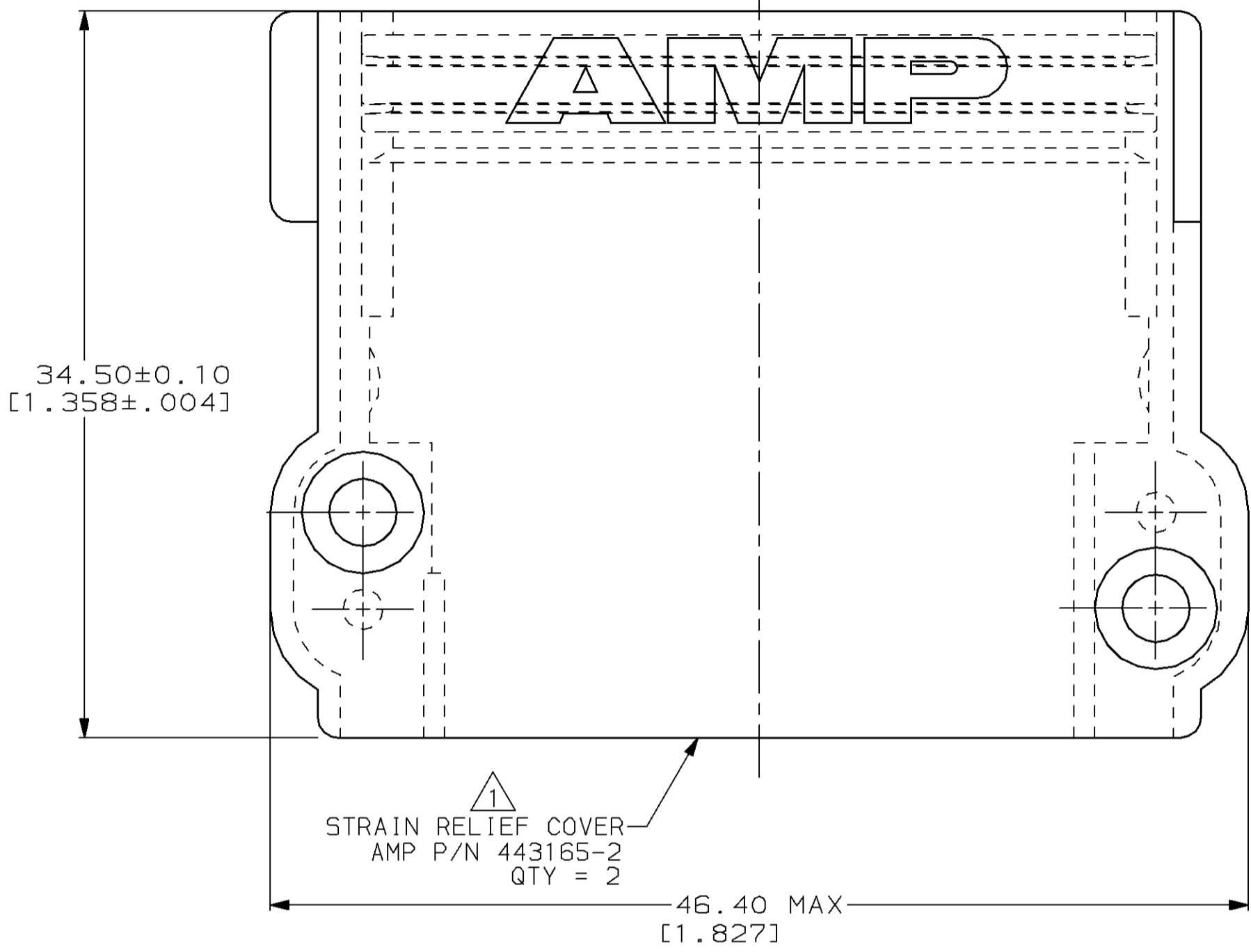
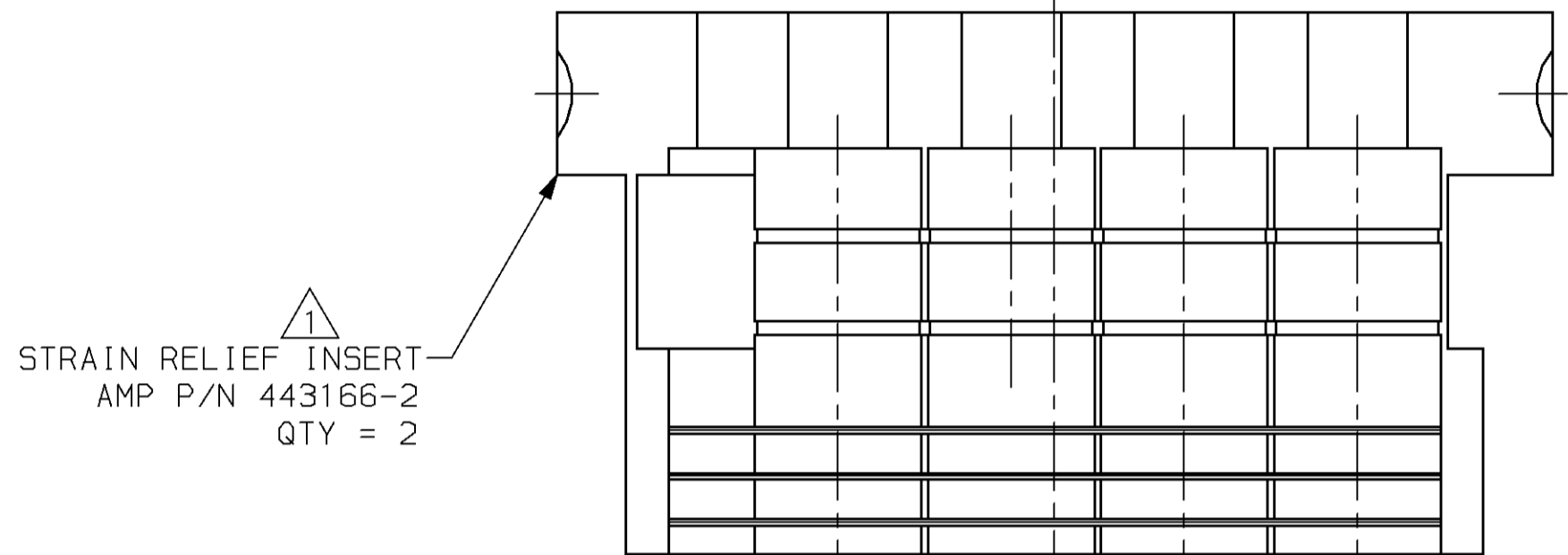
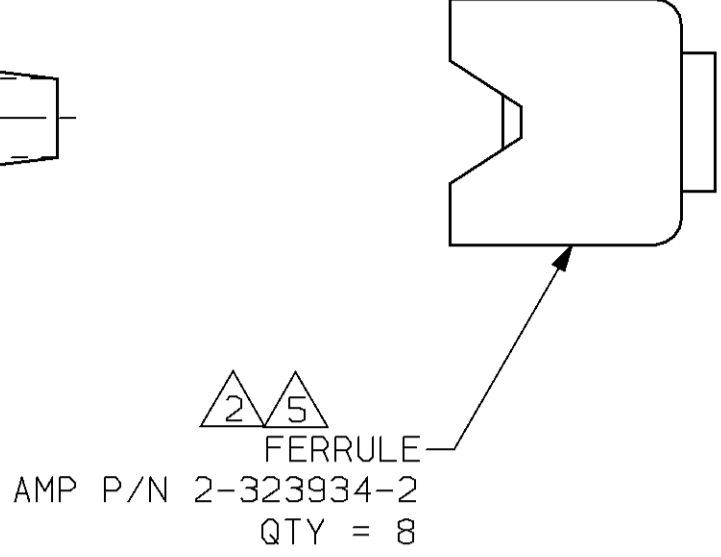
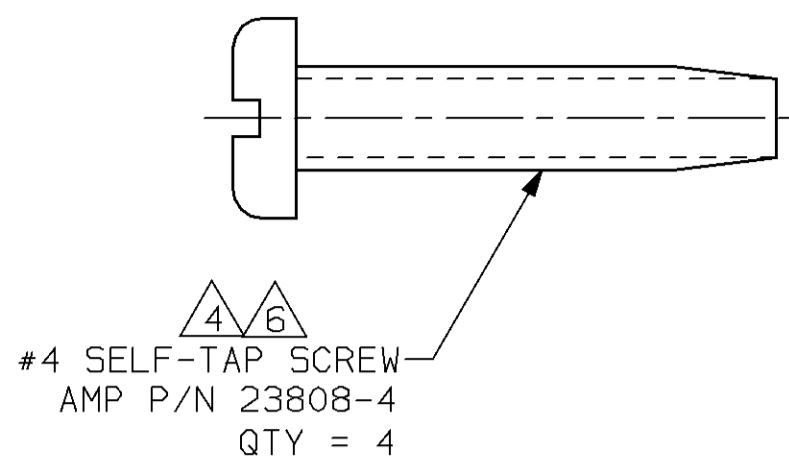


THIS DRAWING IS UNPUBLISHED. RELEASED FOR PUBLICATION
 © COPYRIGHT 19 BY AMP INCORPORATED. ALL RIGHTS RESERVED.

PROD CODE	LOC	DIST	REVISIONS					
			P	LTR	DESCRIPTION	DATE	DWN	APVD
4085	DF	SO						
			C		REV PER 0600-5892-96	11-96	CCT	CS



ASSEMBLED WIDTH DIMENSION 443162-1 PART NO.

- 1 MAT'L: 4/6 NYLON UL94V-2 MLDG. CMPD. COLOR: PALE BLUE.
- 2 MAT'L: BRASS PER ASTM-B-16
- 3 MAT'L: COPPER PER ASTM-B-152
- 4 MAT'L: CARBON STEEL, CASE HARDENED.
- 5 FINISH: TIN PLATED PER MIL-T-10727
- 6 FINISH: NICKEL PLATED.
- 7 END OF BRAID IS SOLDER DIPPED OR CAUTERIZED TO PREVENT FRAYING.

<small>THIS DRAWING IS A CONTROLLED DOCUMENT FOR AMP INCORPORATED. IT IS SUBJECT TO CHANGE AND THE CONTROLLING ENGINEERING ORGANIZATION SHOULD BE CONTACTED FOR THE LATEST REVISION.</small>		DWN C.C.THOMAS 10-11-95	AMP Incorporated Harrisburg, PA 17105-3608
DIMENSIONS: mm [INCHES]		CHK C.SHELLY 10-11-95	
TOLERANCES UNLESS OTHERWISE SPECIFIED: 0 PLC ±- 1 PLC ±- 2 PLC ±3.05 [0.12] 3 PLC ±- 4 PLC ±- ANGLES ±- FINISH SEE TABLE		APVD C.SHELLY 10-11-95	NAME KIT, STRAIN RELIEF, 9 POSN., LGH
MATERIAL SEE TABLE		PRODUCT SPEC -	SIZE A2
		APPLICATION SPEC -	CAGE CODE 00779
		WEIGHT -	DRAWING NO C-443162
		CUSTOMER DRAWING	SCALE 4:1 SHEET 1 OF 1 REV C