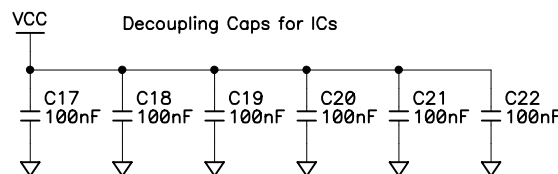
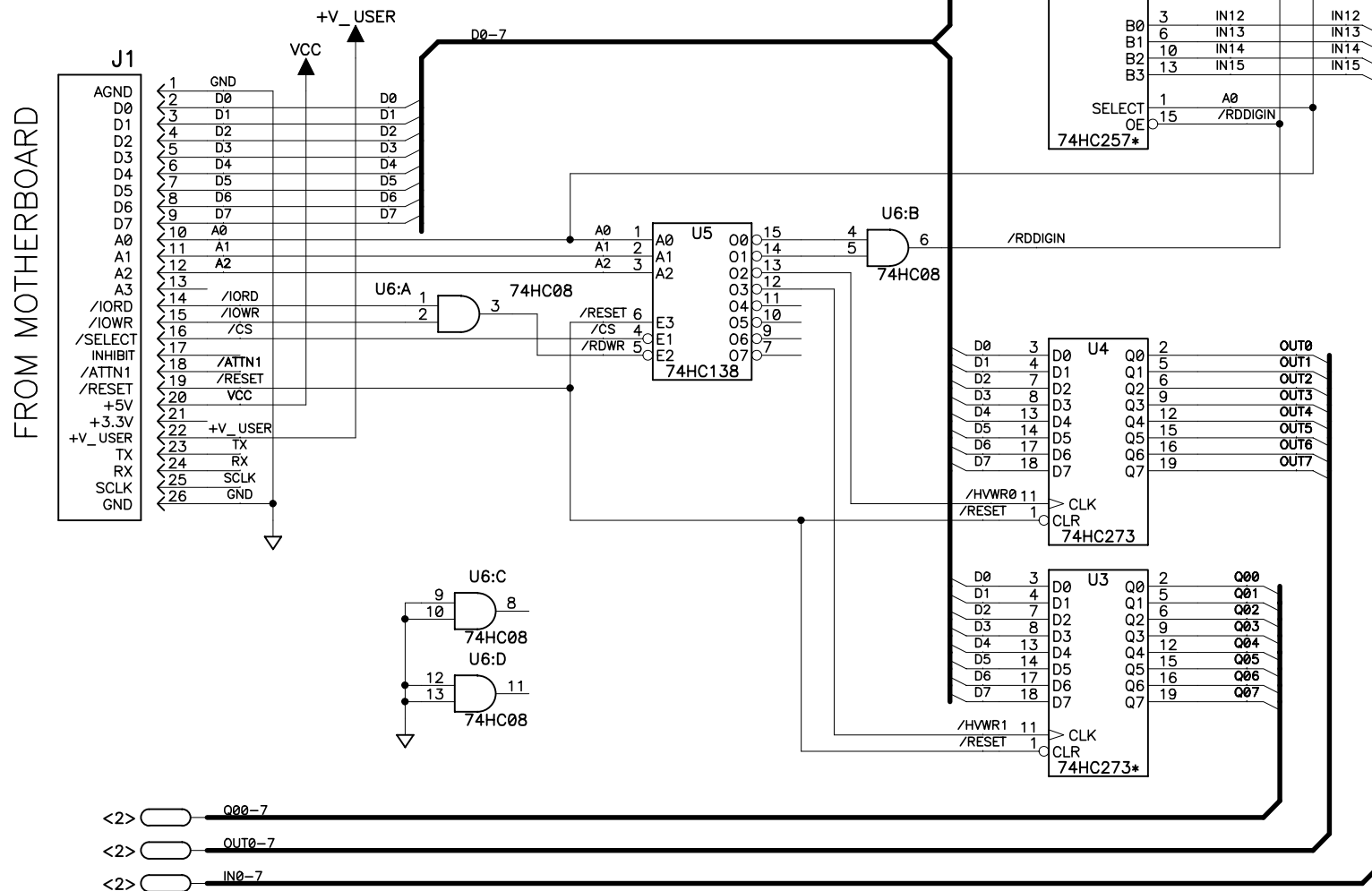


NOTES: UNLESS OTHERWISE SPECIFIED;

1. ALL RESISTOR VALUES ARE IN OHMS, 1/16W, 5%
2. ALL CAPACITORS ARE 50VDC OR HIGHER.
3. THE ORIGINATION SOURCE OF A VOLTAGE IS REPRESENTED BY (VCC), AND ALL REFERENCES TO THAT VOLTAGE ARE REPRESENTED BY (VCC).

4. OUTLINED CIRCUIT MAY NOT BE STUFFED DEPENDING ON MODEL, SEE STUFFING CHART FOR CLARIFICATION.

5. COMPONENT VALUES SHOWN WITH AN ASTERISK (*) FOLLOWING THE VALUE, MAY HAVE DIFFERENT VALUES, OR MAY NOT BE STUFFED DEPENDING ON MODEL. SEE STUFFING CHART FOR CLARIFICATION.



REVISION HISTORY			REVISION APPROVAL			
REV	ECO	DESCRIPTION	PROJECT ENGINEER	APPROVAL DATE	DOCUMENT CONTROL	APPROVAL DATE
A	E11383	INITIAL RELEASE, TRACKS A/W @ REV-A	XT	2/1/01	KIS	2/1/01
B	E11564	CHANGED PE7 TO OUTPUT INHIBIT	DM	28JUN01	KIS	7/17/01

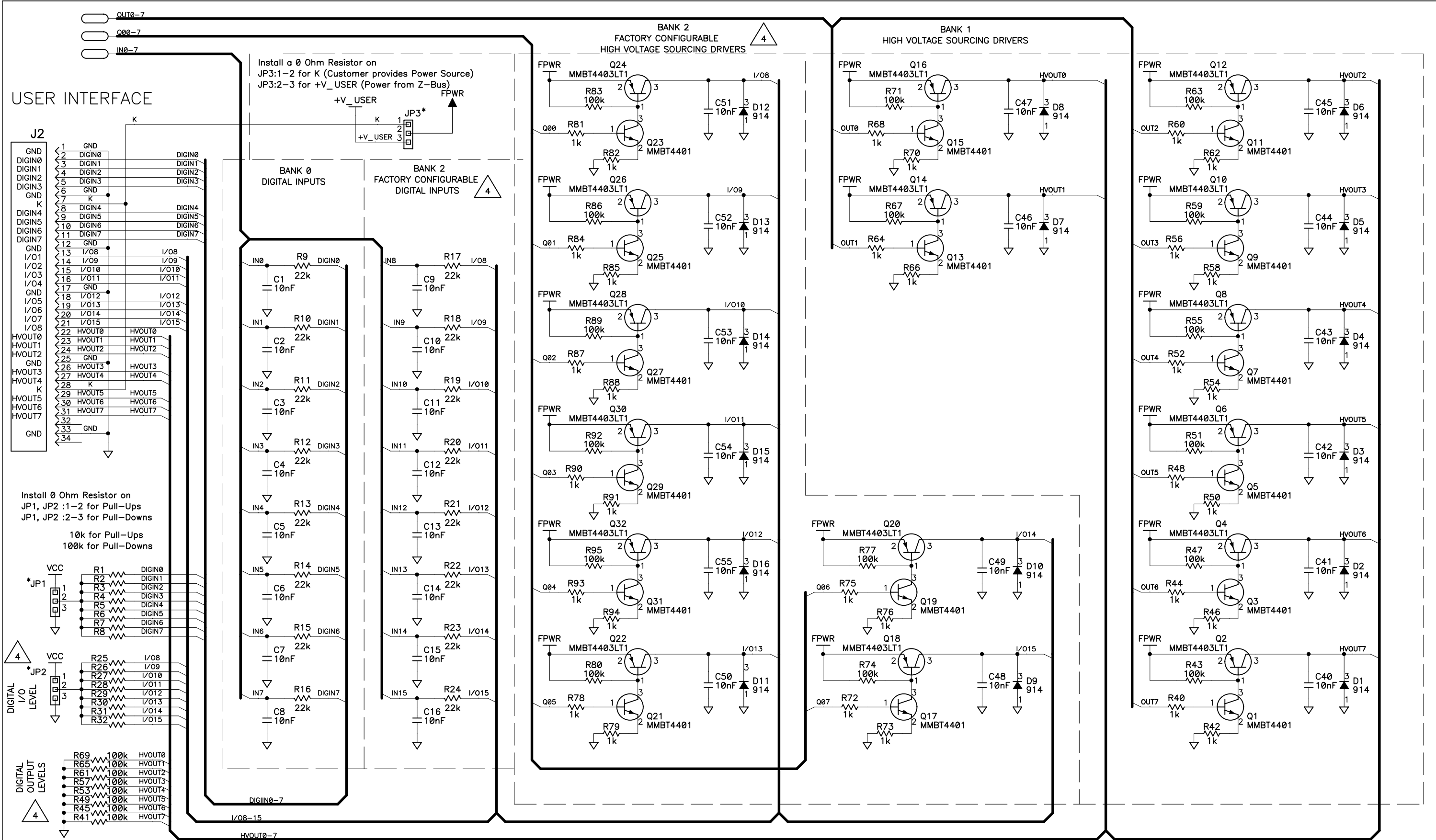
TABLE A

REF DES	DEVICE	DEVICE VOLTAGE INFORMATION					DEVICE: FILTER CAP REF DES(S)
		AGND	GND	VCC	-5V	NO CONNECTS	
U1	74HC257		8	16			C17
U2	74HC257		8	16			C18
U3	74HC273		10	20			C19
U4	74HC273		10	20			C20
U5	74HC138		8	16			C21
U6	74HC08		7	14			C22

STUFFING TABLE

CIRCUIT	PART	MODEL		
		SR9205 16 INPUT 8 OUPUT	SR9215 8 INPUT 16 OUTPUT	SR9225 8 INPUT 8 OUTPUT
FPWR SELECT	JP3	ZERO OHM ACROSS PINS 2-3	ZERO OHM ACROSS PINS 2-3	ZERO OHM ACROSS PINS 2-3
DIGITAL I/O LEVEL	JP2 R25-32	ZERO ohm ACROSS PINS 1-2 10k OHMS	ZERO ohm ACROSS PINS 2-3 100k OHMS	NOT INSTALLED
HIGH VOLTAGE SOURCING DRIVERS	CURRENT DRIVER R72-95 C48-55 D9-16 Q17-32	NOT INSTALLED	INSTALLED	NOT INSTALLED
	DRIVER CHIP U3 C19	NOT INSTALLED	INSTALLED	NOT INSTALLED
DIGITAL INPUTS	INPUT CONDITIONING R17-24 C9-16	INSTALLED	NOT INSTALLED	NOT INSTALLED
	DRIVER CHIP U2 C18	INSTALLED	NOT INSTALLED	NOT INSTALLED
INPUT LEVEL SELECT	JP1	ZERO OHM ACROSS PINS 1-2	ZERO OHM ACROSS PINS 1-2	ZERO OHM ACROSS PINS 1-2

APPEND THE FOLLOWING DOCUMENTS WHEN CHANGING THIS DOCUMENT:	DRAWING CONTENT:		TITLE SCHEMATIC DIAGRAM SR92x5 SERIES SOURCE OUTPUT BOARD	 2900 SPAFFORD ST. DAVIS, CA 95616 530 - 757 - 4616
	KAH	09NOV00		
	REVISED BY: DM	28JUN01	SIZE B DWG NO. 090-0118	
	APPROVALS: INITIAL RELEASE		SCALE NONE RELEASE DATE	
	PROJECT ENGINEER: X.Truong	2/1/01	SHEET 1 OF 2	
	ENGINEERING MANAGER: R.Matthews	2/1/01		
	SIGNATURES	DATE		



28JUN01

SIZE
B

DWG NO.

090-0118

COPYRIGHT 2001, Z-WORLD, INC.

SCALE

NONE

REV LTR

B

SHEET 2 OF 2