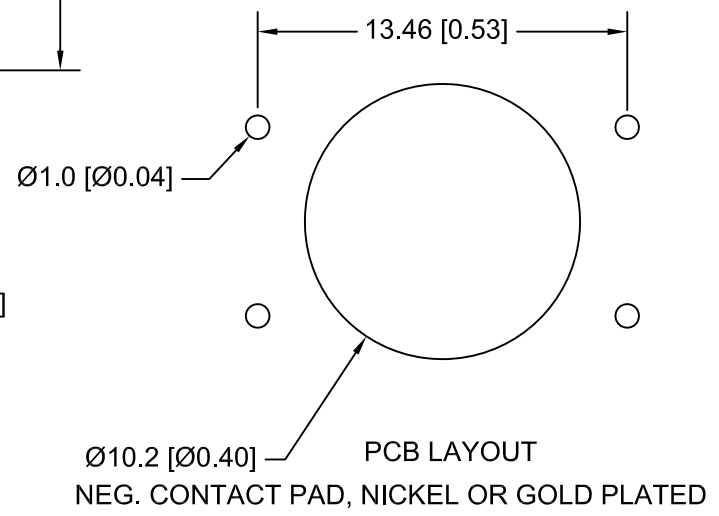
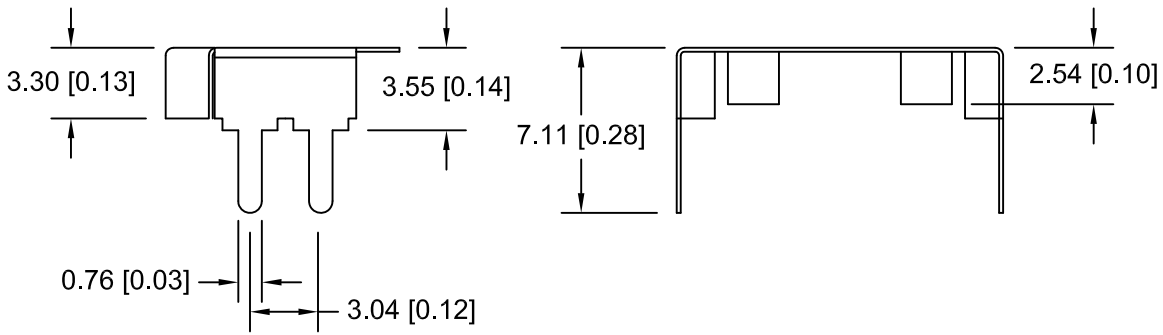
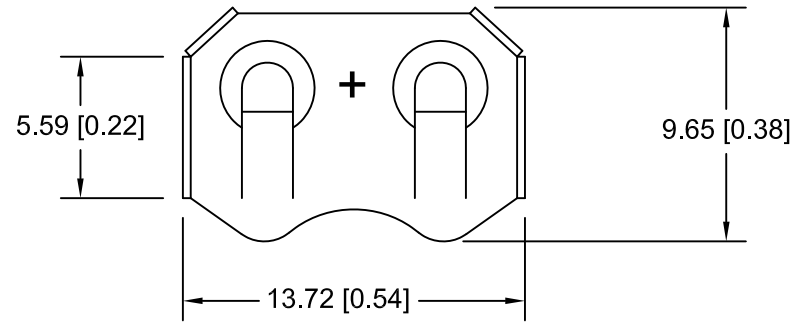



Date	SYM	REVISION RECORD	AUTH	DR.	CK.



NOTES:

- 1. MATERIAL:
0.25mm PHOSPHOR BRONZE, NICKEL PLATED OVERALL.
ROHS 2 COMPLIANT
- TEMPERATURE RANGE: -40°C TO +270°C
- * VIBRATION TEST: 10-50-10 HZ SWEEPED IN 60 SECONDS
X,Y,Z DIRECTION: 1 HOUR EACH DIRECTION
- * RESULT: NO DISLODGEEMENT OF THE CELL OR DAMAGE
NO DISCONTINUITY OVER 10 MICRO-SECONDS
- * SHOCK TEST: HALF SINE WAVE ACCELERATION 150G.
6 MILLISECONDS
3 SHOCK PULSES EACH DIRECTION PER
AXIS, TOTAL OF 18 PULSES
- * RESULT: NO EVIDENCE OF PHYSICAL DAMAGE

Tolerance (Except as noted)	 Memory Protection Devices, Inc 200 Broad Hollow Road, Farmingdale, New York 11735		
	decimal ±.1 (.004)	Scale	Drawn By B.S. Approved By T.B.
Fractional ± .2 (.008)	Title CR1216,1220,1225 BATTERY RETAINER WITH PC PINS		
Angular ± 1°	Date 06/03/16	Drawing Number BK-917	