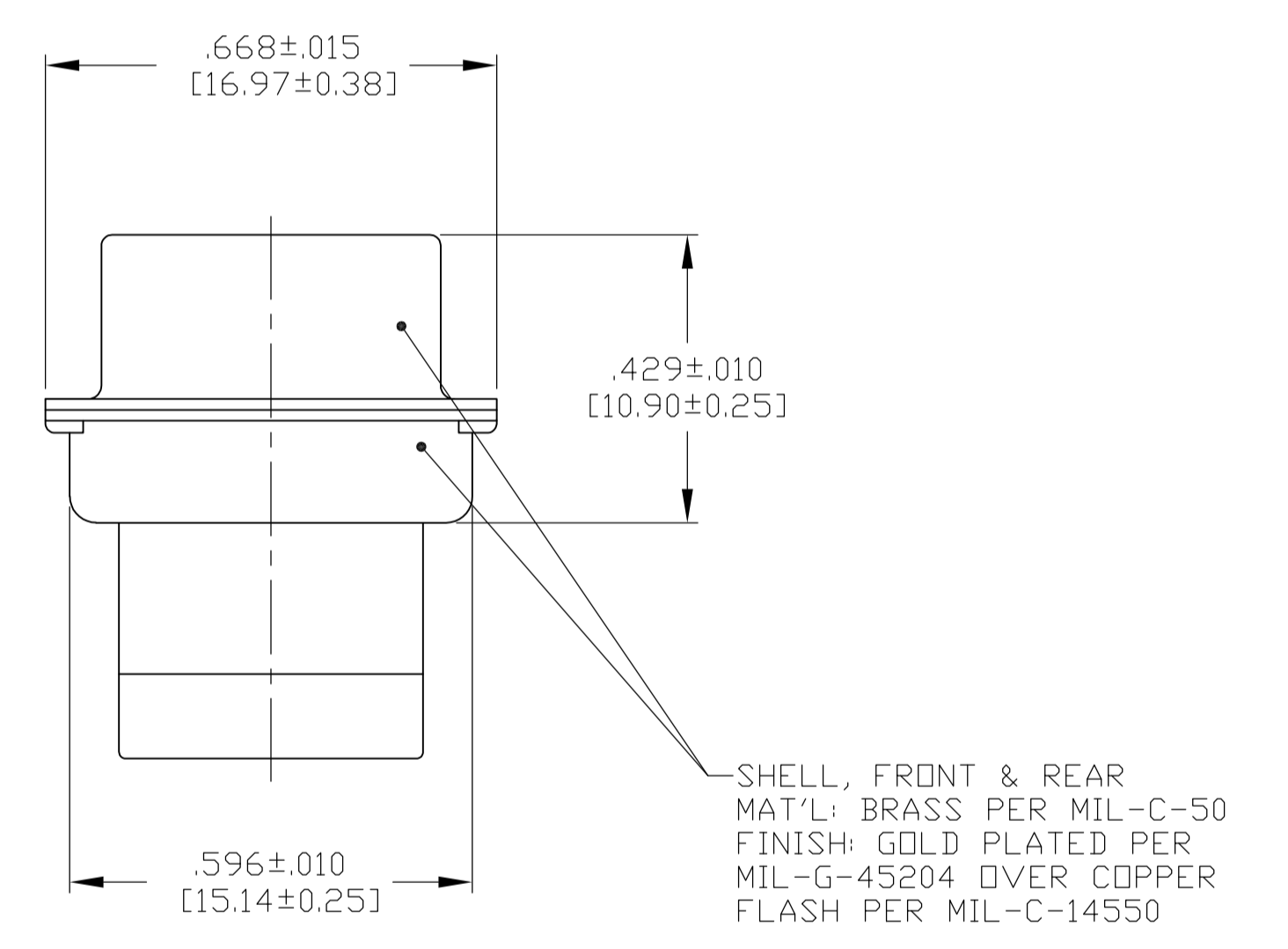
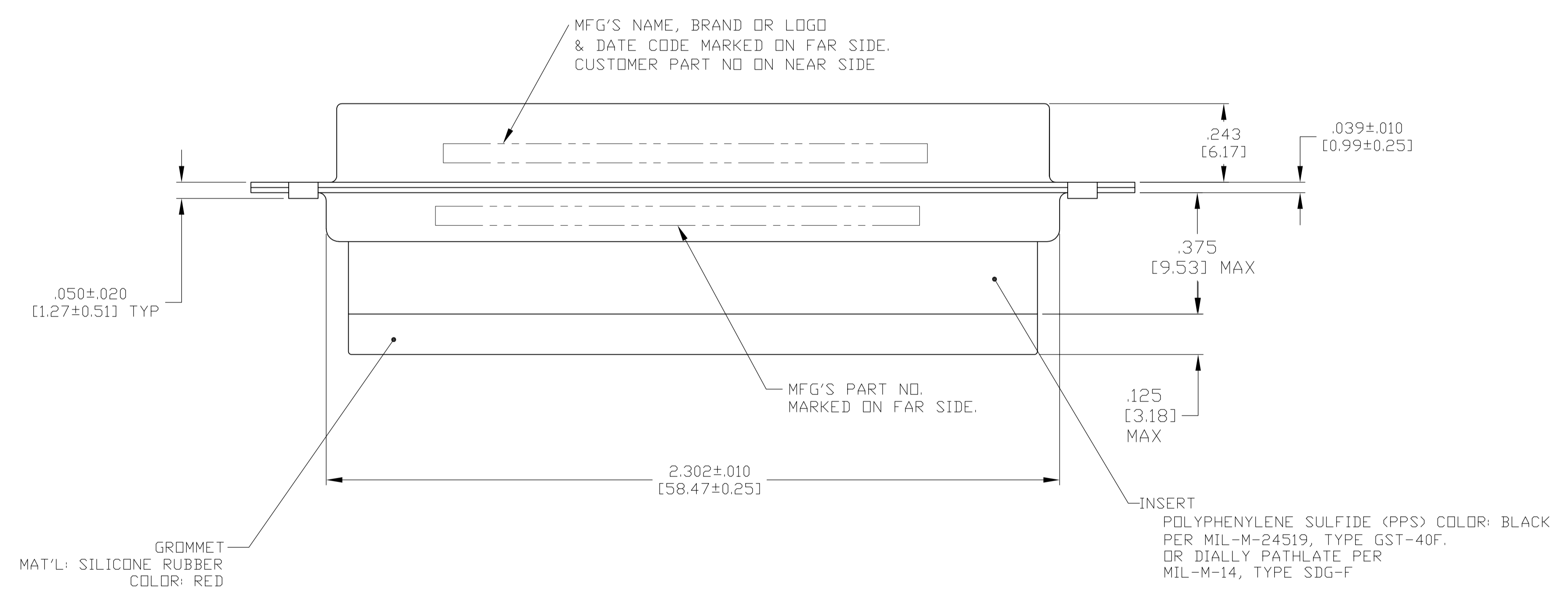
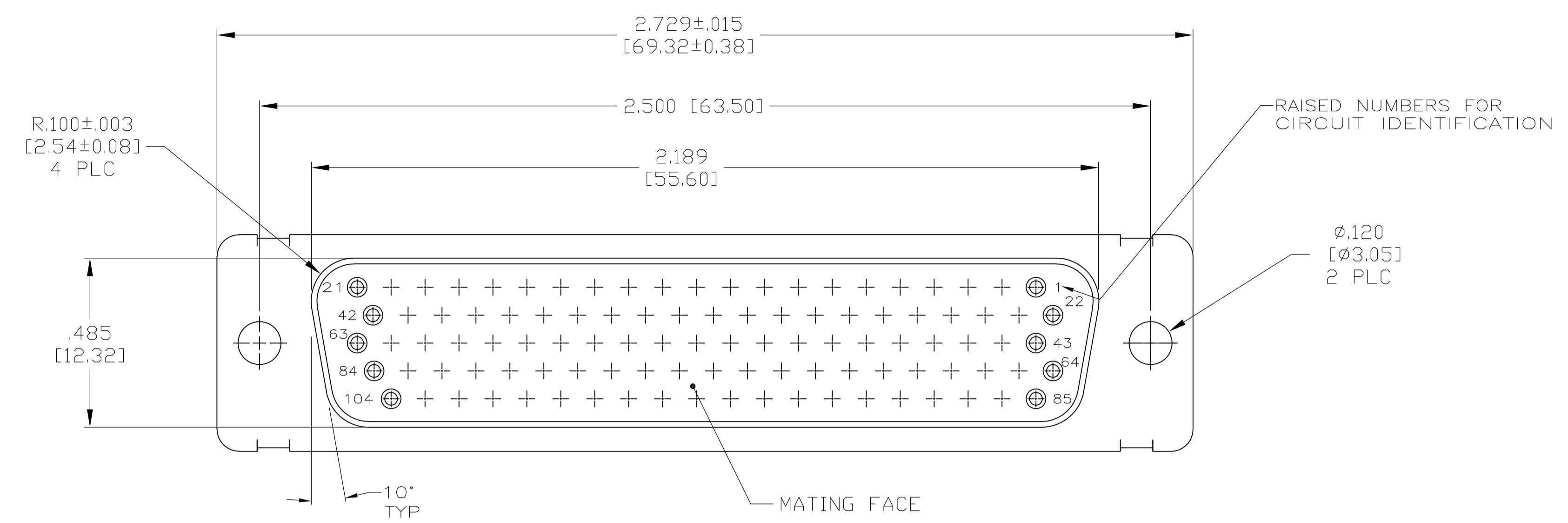


LOC		DIST		REVISIONS			
P	LTR	DESCRIPTION	DATE	DN	APVD		
B		REV PER ECO-12-004103	19MAR12	PY	RL		



- THIS RECEPTACLE WILL MATE WITH ANY SIZE 6, 104 POSN. PLUG IN AMPLIMITE SERIES.
  - CONNECTOR SUPPLIED WITHOUT CONTACTS.
- △ SINGLE LOT DATE CODE IS REQUIRED.

THIS DRAWING IS A CONTROLLED DOCUMENT.		DIN C.C.THOMAS 1-9-12		CI-2A-112-002V-001		△ 2157654-1	
DIMENSIONS: INCHES [mm]		TOLERANCES UNLESS OTHERWISE SPECIFIED:		CUSTOMER PART NO		REMARKS	
		0 PLC ± - 1 PLC ± - 2 PLC ± - 3 PLC ± .005 [0.13] 4 PLC ± - ANGLES ± ± 1°		RELEASE 1-9-12		PART NO.	
MATERIAL SEE CALLOUTS		FINISH SEE CALLOUTS		APPLICATION SPEC		TE Connectivity	
				NAME		RECEPTACLE ASSY,AMPLIMITE,SIZE 6, SERIES 90, 104 POSITION, NON-MAGNETIC, WITH GROMMET	
				SIZE		RESTRICTED TO	
				WEIGHT		A1 00779 C=2157654	
				CUSTOMER DRAWING		SCALE 4:1 SHEET 1 OF 1 REV B	