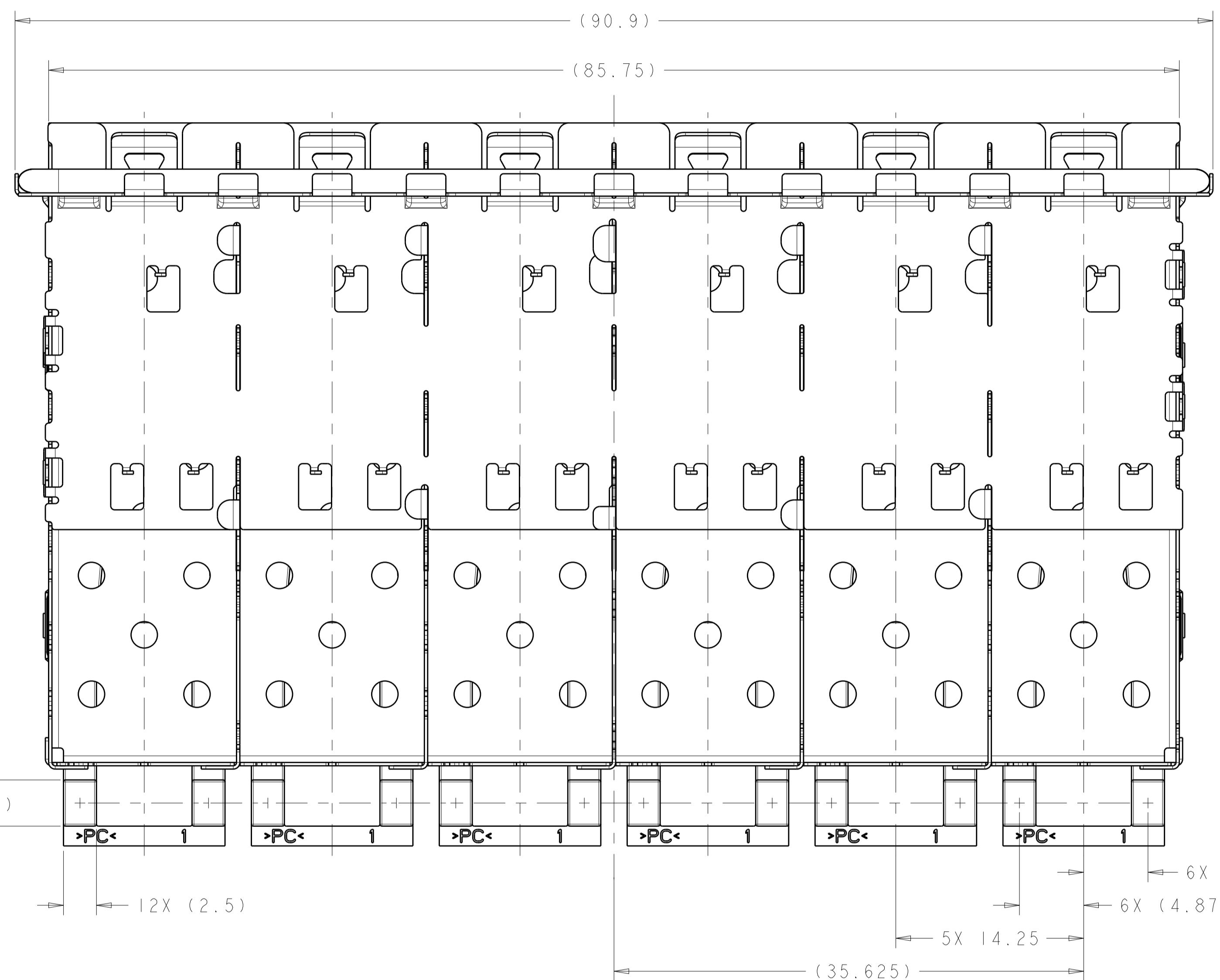
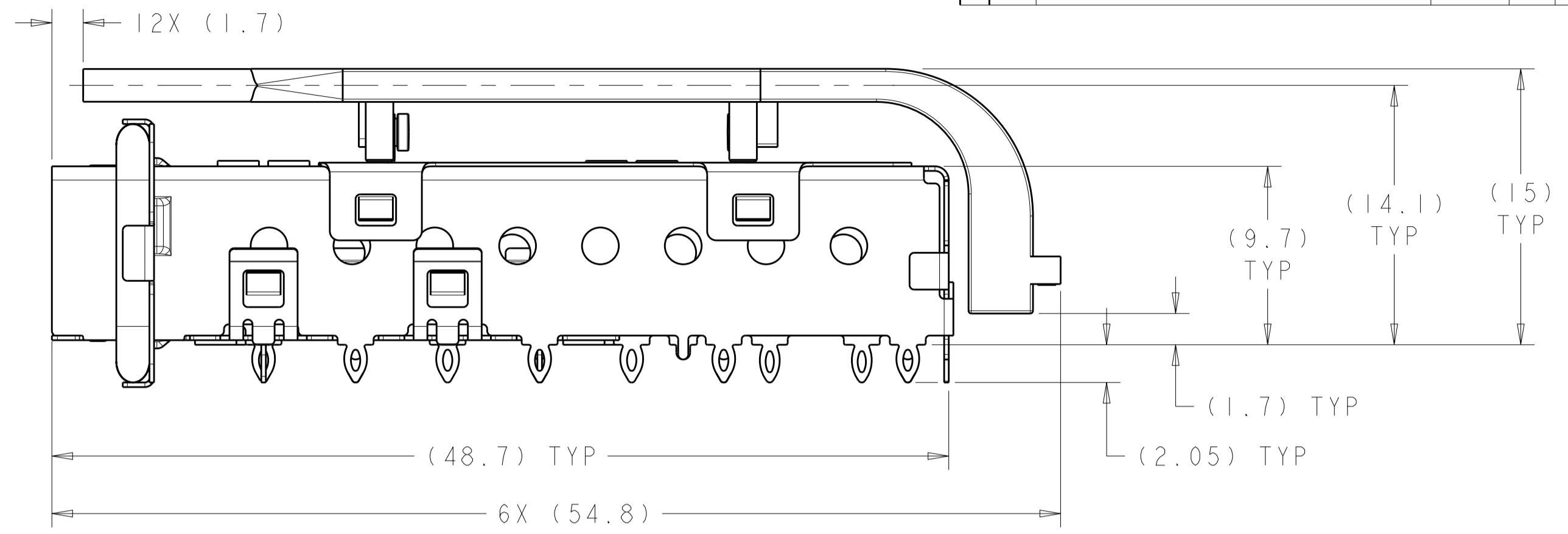
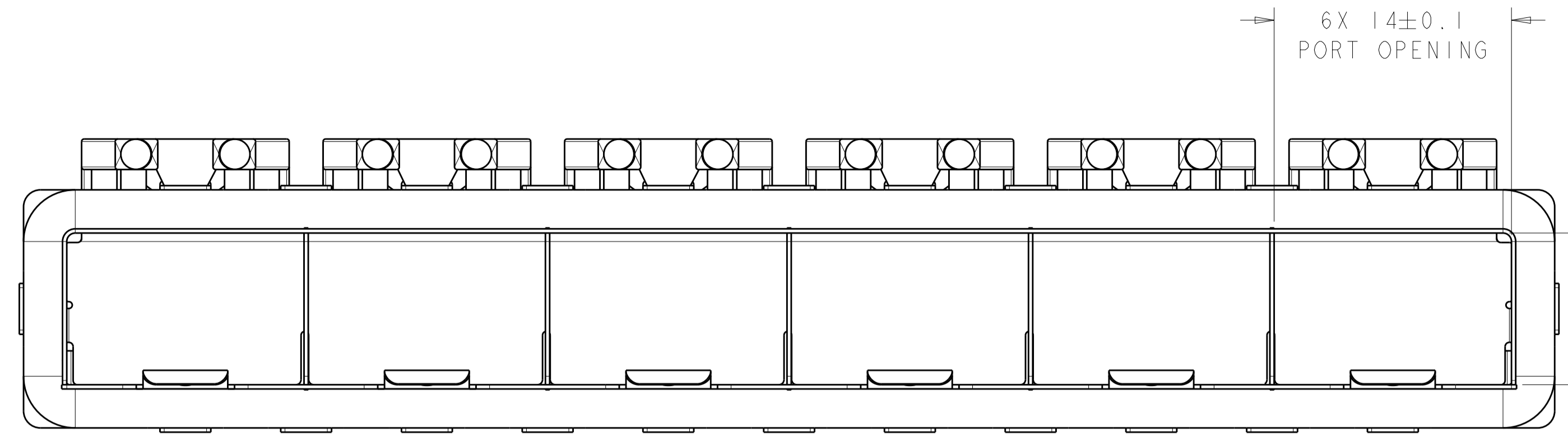
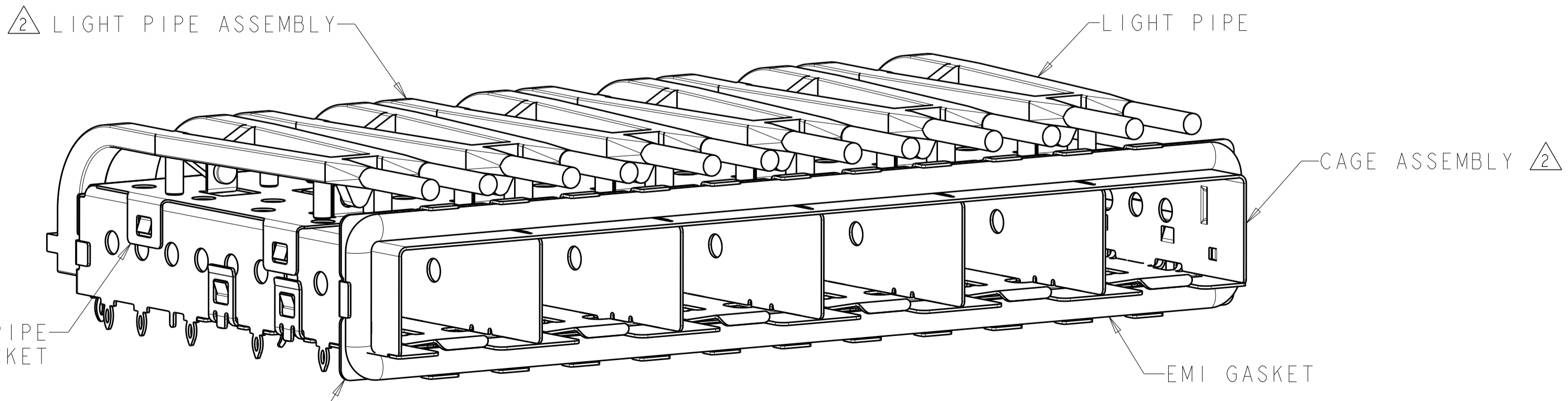


LOC	DIST	REVISIONS			
GP	00	REV	DATE	BY	APPV
		D	REVISED PER ECO-12-014021	16DEC2012	JY AC



- 1 MATERIAL:  
 CAGE ASSEMBLY - 0.25 THICK NICKEL SILVER ALLOY  
 GASKET RETENTION PLATE - STAINLESS STEEL  
 GASKET - PLATED FILLED SILICONE  
 LIGHT PIPE BRACKET - STAINLESS STEEL  
 LIGHT PIPE - POLYCARBONATE, CLEAR
- 2 2007181-1, CAGE ASSEMBLY, AND 2007182-1, LIGHT PIPE ASSEMBLY ARE PACKAGED TOGETHER AS A COMPLETED ASSEMBLY.
- 3. MATES WITH SFP MSA COMPLIANT TRANSCEIVERS.
- 4 PADS AND VIAS CHASSIS GROUND.
- 5. INTERPRETATION OF DATUM REFERENCE FRAME IN ACCORDANCE WITH SECT 4.4.1.1 OF ASME Y14.5M-1994.
- 6 MINIMUM PC BOARD THICKNESS = 1.50mm.
- 7 HOLE PATTERN REPEATS FOR EACH PORT. SPACING BETWEEN PORTS IS 14.25mm.
- 8 DATUM AND BASIC DIMENSION ESTABLISHED BY CUSTOMER.
- 9 REFERENCE APPLICATION SPEC. 114-13120, HOLE A, FOR RECOMMENDED DRILL HOLE DIAMETER AND PLATING THICKNESS.
- 10 REFERENCE APPLICATION SPEC. 114-13120, HOLE B, FOR RECOMMENDED DRILL HOLE DIAMETER AND PLATING THICKNESS.
- 11. PRODUCT COMPLIES WITH SPECIFICATION SFF-8433 IMPROVED PLUGGABLE FORM FACTOR FOR SFP+ GANGED CAGES.

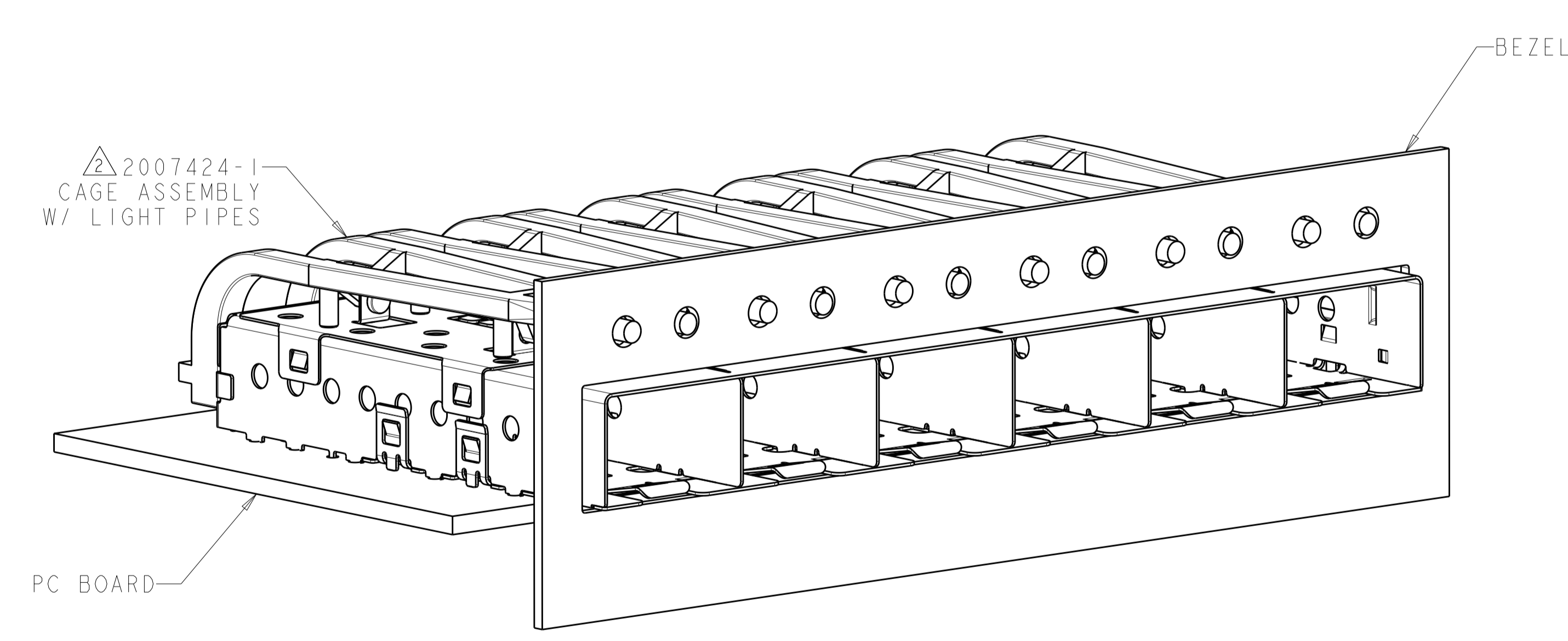
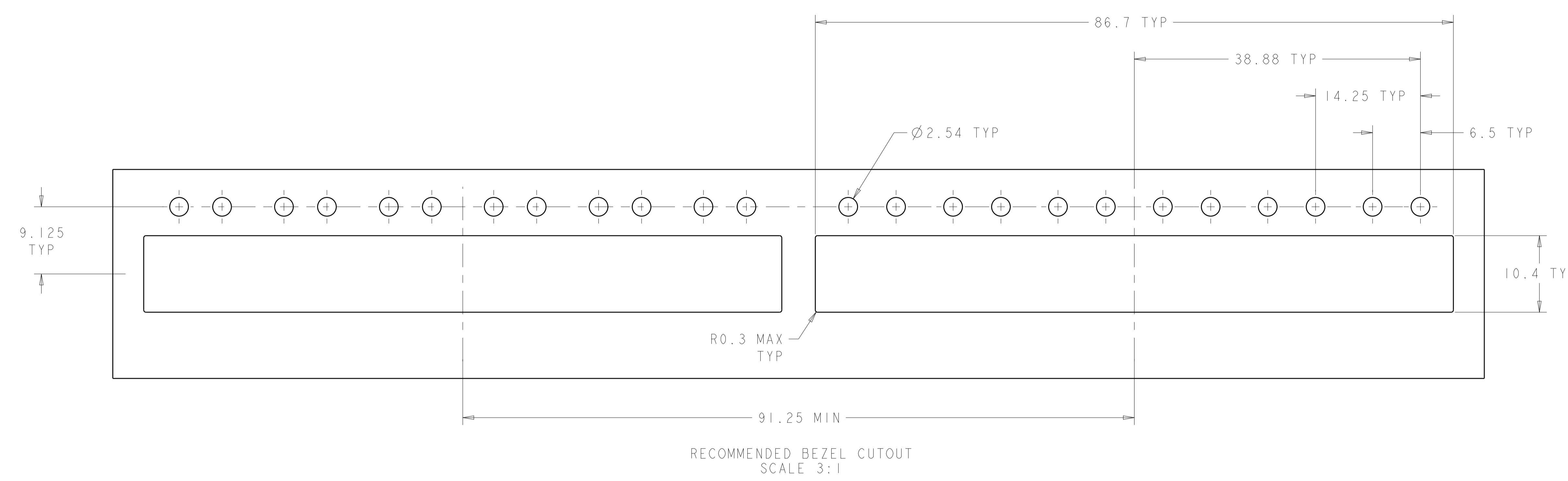


2007424-1  
 SCALE 3:1

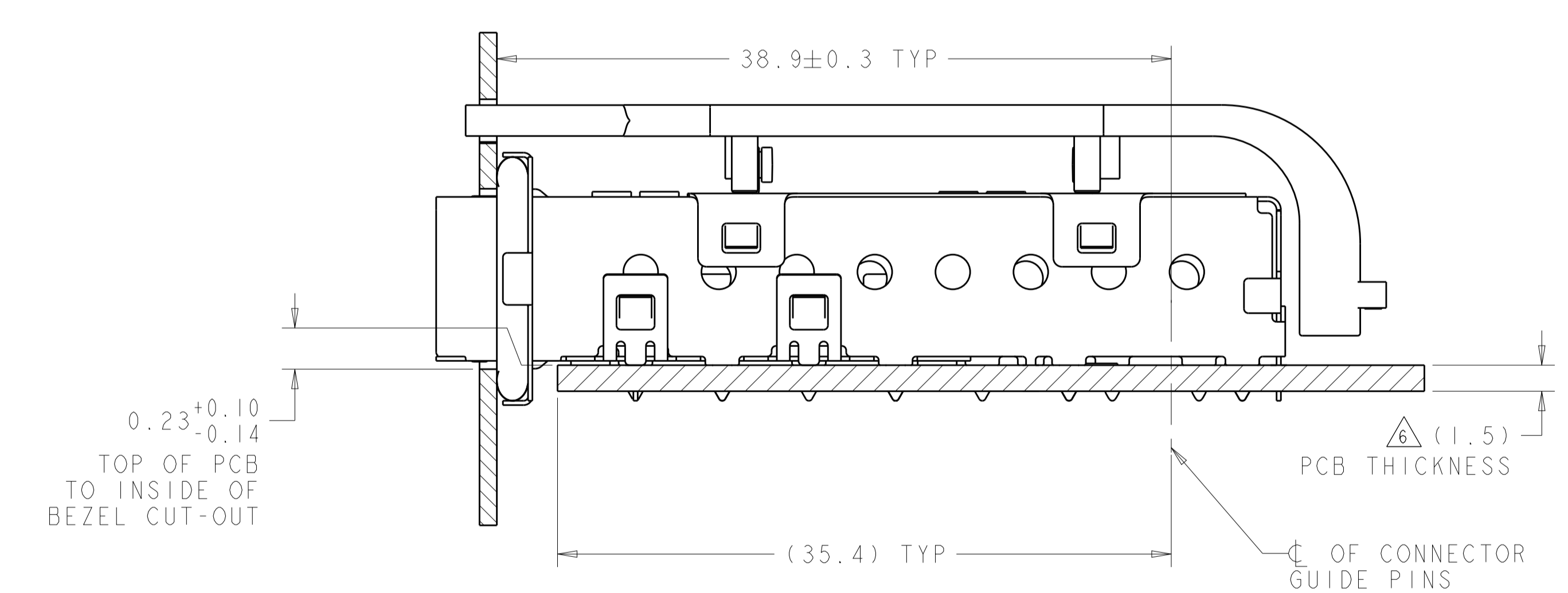
2007424-1  
 PART NUMBER

THIS DRAWING IS A CONTROLLED DOCUMENT.		OWN: Z.M.BEAM 2NOV2007	TE Connectivity	
DIMENSIONS: mm		CHK: M.R.SCHMITT 2NOV2007		
TOLERANCES UNLESS OTHERWISE SPECIFIED:		APVD: R.H.WERTZ 2NOV2007	NAME: SFP+ 1X6 CAGE ASSEMBLY PRESS FIT, EMI GASKET WITH LIGHT PIPES	
0 PLC ±0.1		PRODUCT SPEC: 108.2364	SIZE: CAGE CODE DRAWING NO. RESTRICTED TO	
1 PLC ±0.1		APPLICATION SPEC: 114-13120	A1 00779 ©=2007424	
2 PLC ±0.1		WEIGHT: -	SCALE: 4:1 SHEET 1 OF 3 REV D	
3 PLC ±0.1		Customer Drawing		
4 PLC ±0.1				
ANGLES ±0.1				
FINISH: -				

LOC	DIST	REVISIONS			
GP	00	REV	DATE	BY	APPV
-	-	SEE SHEET 1	-	-	-



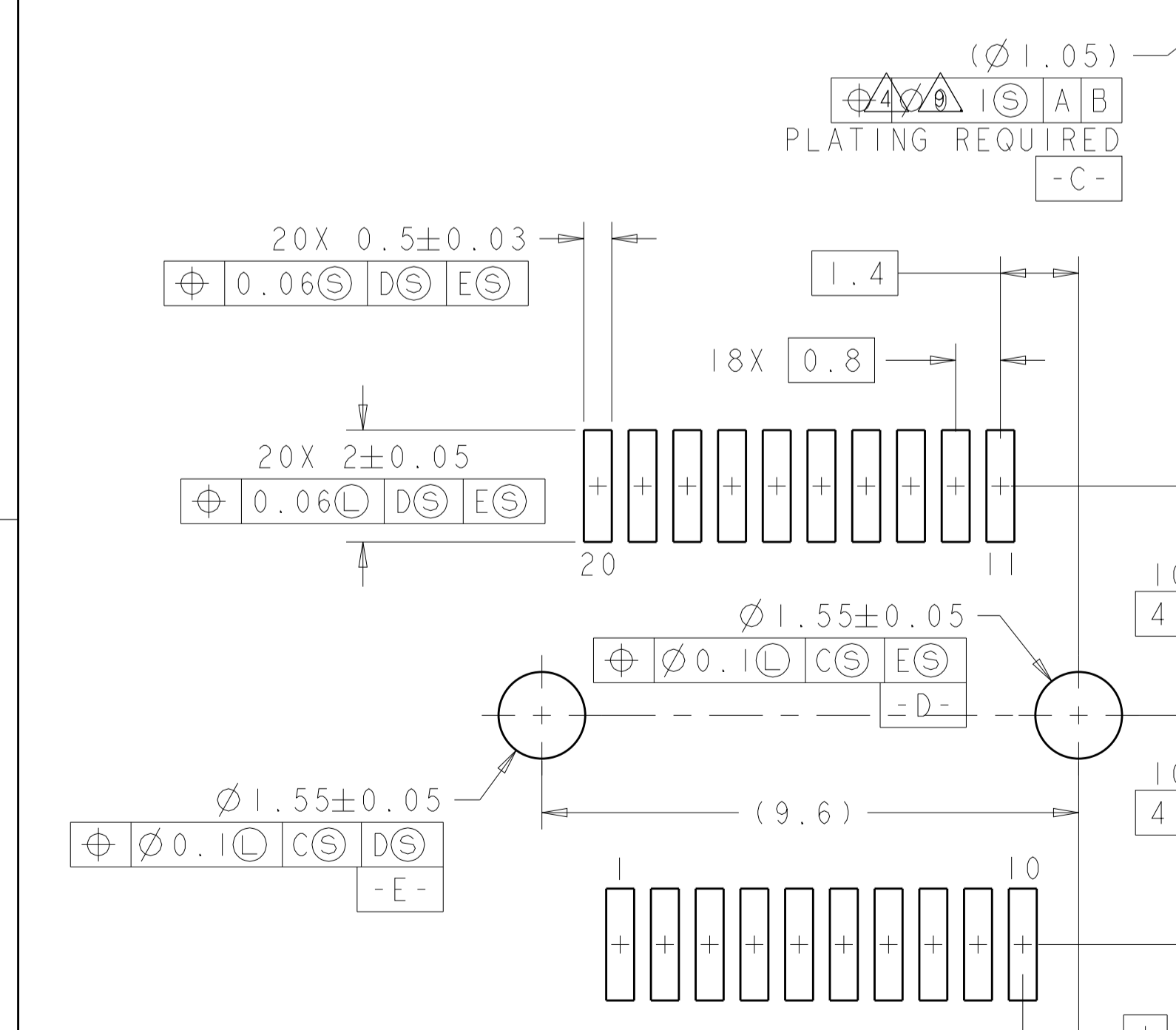
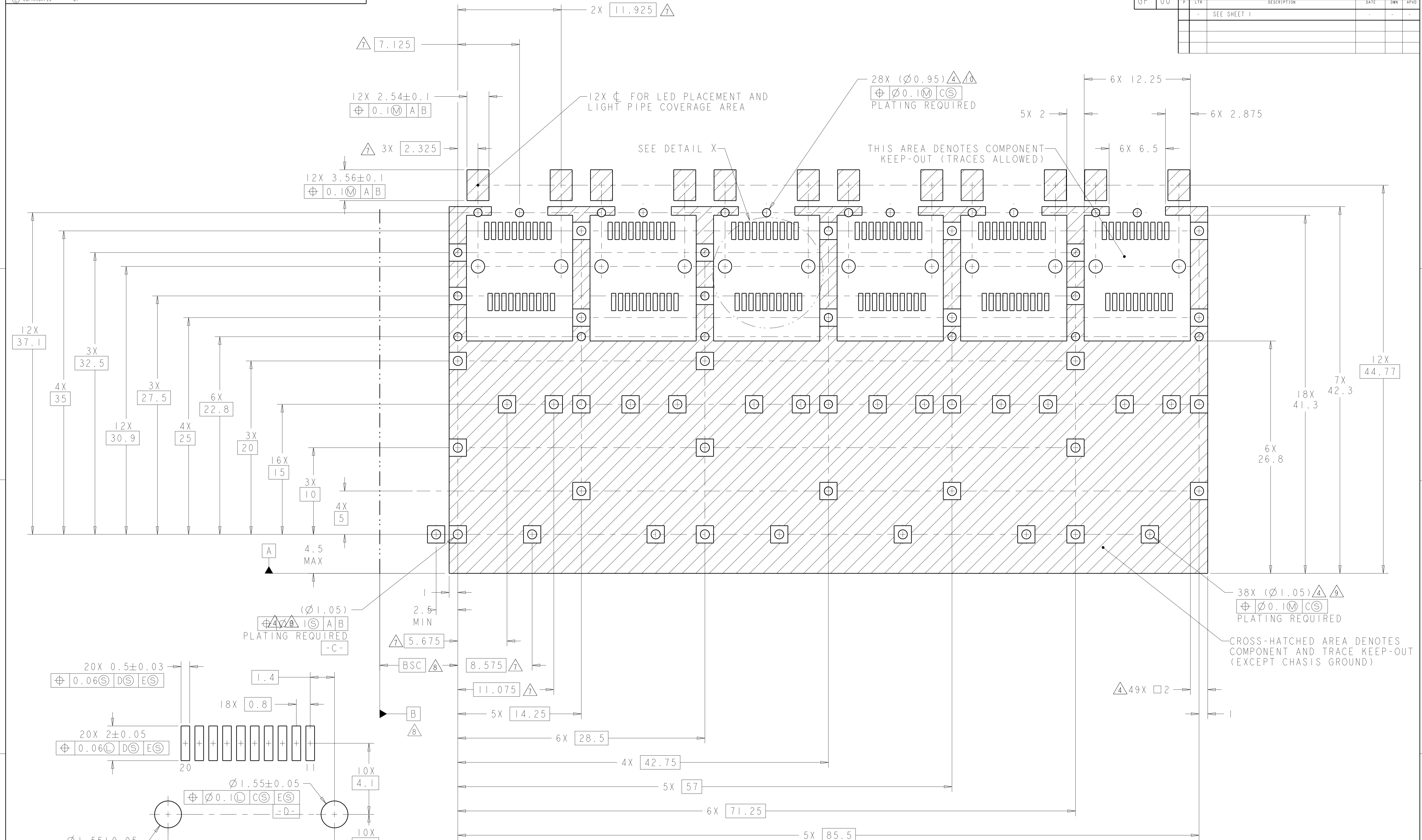
2007424-1  
MOUNTED ON PC BOARD SHOWN  
THRU RECOMMENDED BEZEL  
SCALE 3:1



2007424-1  
MOUNTED ON PC BOARD SHOWN  
THRU RECOMMENDED BEZEL

THIS DRAWING IS A CONTROLLED DOCUMENT.		OWN Z. M. BEAM	2NOV2007	<b>STE</b> TE Connectivity
DIMENSIONS: mm		CHK M. R. SCHMITT	2NOV2007	
TOLERANCES UNLESS OTHERWISE SPECIFIED:		APVD R. H. WERTZ	2NOV2007	NAME SFP+ 1X6 CAGE ASSEMBLY PRESS FIT, EMI GASKET WITH LIGHT PIPES
0 PLC ±0.1		PRODUCT SPEC	108.2364	
1 PLC ±0.1		APPLICATION SPEC	114-13120	SIZE A1
2 PLC ±0.1		WEIGHT	-	CAGE CODE 00779
3 PLC ±0.1		FINISH	-	DRAWING NO 2007424
4 PLC ±0.1		Customer Drawing	SCALE 4:1	SHEET 2 OF 3
ANGLES ±1°				REV D

LOC		DIST		REVISIONS			
GP	00	P	LTN	DESCRIPTION	DATE	DMN	APVD
		-	-	SEE SHEET 1	-	-	-



THIS DRAWING IS A CONTROLLED DOCUMENT.		DMN Z.M.BEAM 2NOV2007	TE Connectivity
DIMENSIONS: mm		CHK M.B.SCHMITT 2NOV2007	
TOLERANCES UNLESS OTHERWISE SPECIFIED:		APVD R.H.WERTZ 2NOV2007	NAME SFP+ 1X6 CAGE ASSEMBLY PRESS FIT, EMI GASKET WITH LIGHT PIPES
0 PLC ±0.1	1 PLC ±0.1	PRODUCT SPEC 108.2364	SIZE CAGE CODE DRAWING NO. RESTRICTED TO
2 PLC ±0.1	3 PLC ±0.1	APPLICATION SPEC 114-13120	A100779C=2007424
4 PLC ±0.1	ANGLES ±0.1	WEIGHT	SCALE 4:1 SHEET 3 OF 3 REV D
MATERIAL	FINISH	Customer Drawing	