

170071-1001
APPEARANCE

170071-4001 SHOWN FOR REFERENCE
APPEARANCE MAY VARY WITH SIZE

NOTES:

1. MATERIAL:

CAGE: NICKEL SILVER
CONNECTOR HOUSING: GLASS FILLED THERMOPLASTIC, UL: 94V-0, COLOR: BLACK
TERMINALS: HIGH PERFORMANCE COPPER ALLOY
FRONT SHIELD WALL: COPPER ALLOY
ELASTOMERIC GASKET: SILVER IMPREGNATED SILICONE

2. FINISH

TERMINALS: CONTACT AREA: 0.76 μm MIN. HARD GOLD OVER
3.8 μm MIN. NICKEL.
COMPLIANT TAIL: 0.7-1.5 μm MATTE TIN OVER
0.7-1.5 μm NICKEL
FRONT SHIELD WALL: 0.7-1.5 μm NICKEL OVERALL

3. 2X4 CONFIGURATION SHOWN FOR REFERENCE, SEE CHART FOR AVAILABLE OPTIONS

4. REFER TO PS-170071-0001 FOR ALL ELECTRICAL, MECHANICAL AND ENVIRONMENTAL SPECIFICATIONS.

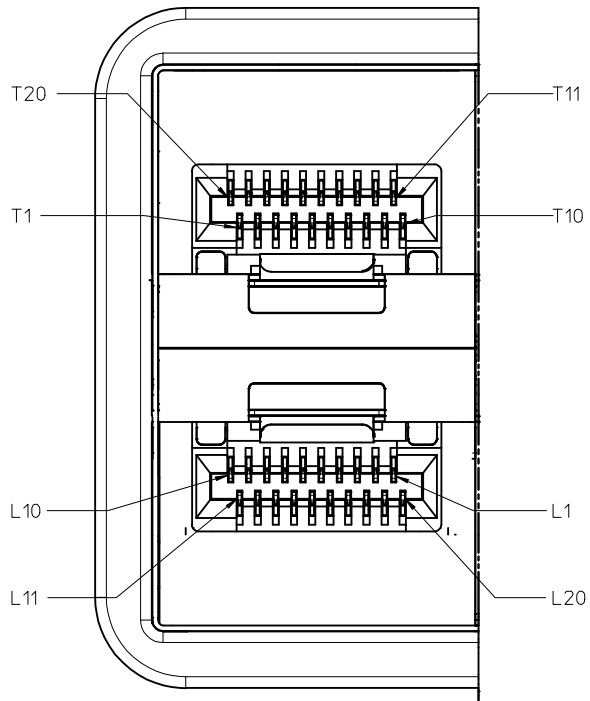
5. REFER TO AS-170071-0001 FOR CONNECTOR MOUNTING AND REWORK INFORMATION.

6. REFER TO AS-170071-0002 FOR PCB ROUTING RECOMMENDATIONS.

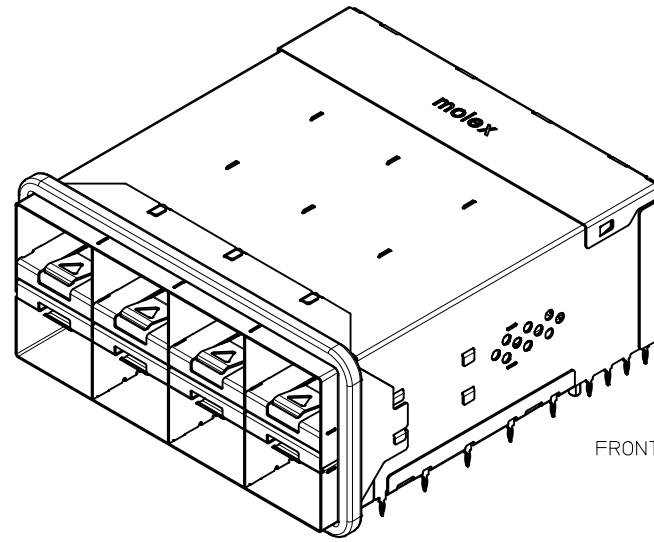
7. ALL VISIBLE EXTERIOR SURFACES TO BE CLASS "B" (BOTTOM OF CONNECTOR IS CLASS "C") CAGE SURFACES TO CONFORM TO THE MOLEX COSMETIC DOC PS-45499-002.

PORT SIZE	PART NUMBER	DIM X	DIM Y
2X1	1700711001	14.50	15.10
2X2	1700712001	28.75	29.35
2X4	1700714001	57.25	57.85
2X6	1700716001	85.75	86.35
2X8	1700718001	114.25	114.85
2X12	1700711201	171.25	171.85

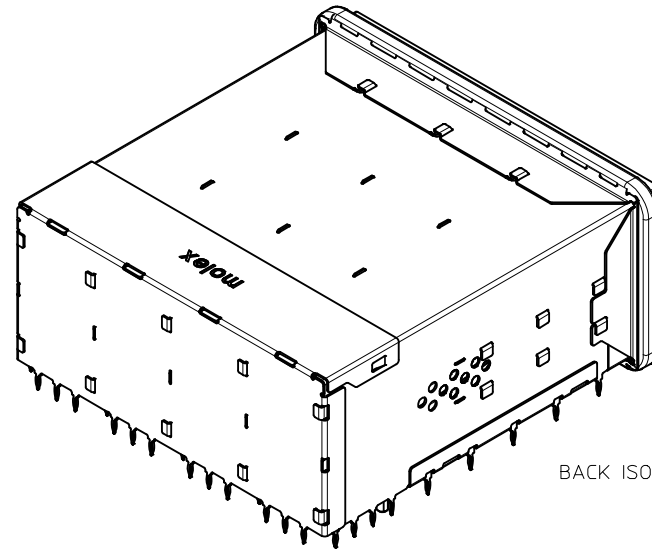
ADDED GENERAL TOL EC NO: UCP2016-3736 DRWINWEMPEGONDA 2016/07/25 CHKD: APPR:SMILLER 2016/08/15	DESCRIPTION QUALITY SYMBOLS ▽=0 ▽=0 ▽=0	GENERAL TOLERANCES (UNLESS SPECIFIED)		DIMENSION STYLE MM ONLY		SCALE 2:1	DESIGN UNITS METRIC	THIRD ANGLE PROJECTION	
		4 PLACES ± --- ± --- 3 PLACES ± --- ± --- 2 PLACES ± 0.13 ± --- 1 PLACE ± 0.25 ± --- 0 PLACE ± ±	mm INCH	DRAWN BY JGONZALEZ01	DATE 2010/05/27	TITLE ZSFP+ STACKED FULL ASSY WITH ELASTOMERIC GASKET			
		ANGULAR ±1/2°		CHECKED BY JKACHLIC	DATE 2010/06/03				
		DRAFT WHERE APPLICABLE MUST REMAIN WITHIN DIMENSIONS		APPROVED BY MBANAKIS	DATE 2010/10/24			DOCUMENT NO. SD-170071-0001	SHEET NO. 1 OF 4
THIS DRAWING CONTAINS INFORMATION THAT IS PROPRIETARY TO MOLEX INCORPORATED AND SHOULD NOT BE USED WITHOUT WRITTEN PERMISSION									



Partial1
SCALE 6:1

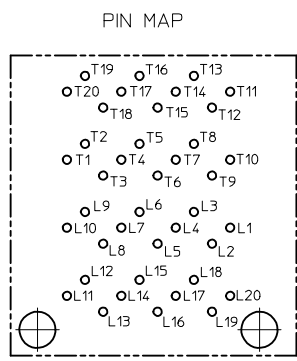
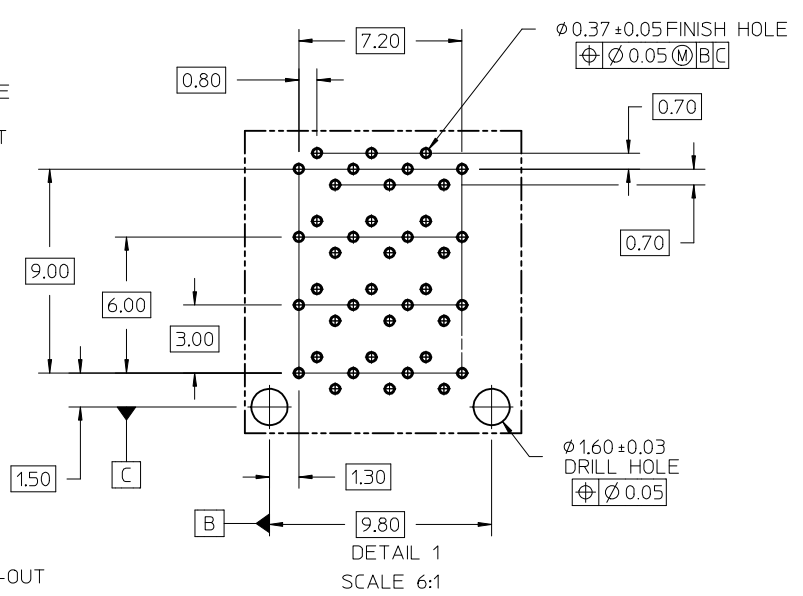
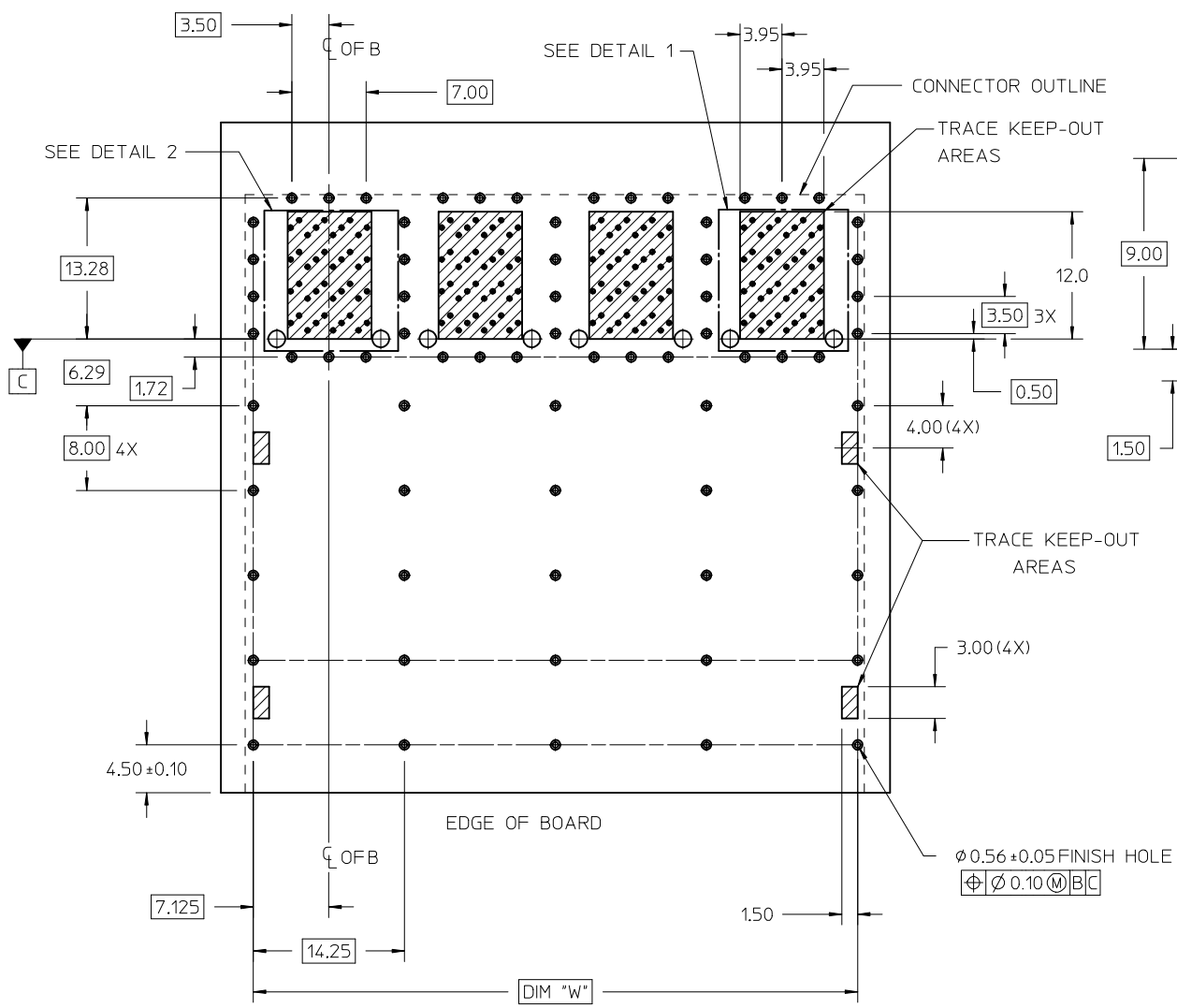


FRONT ISO VIEW



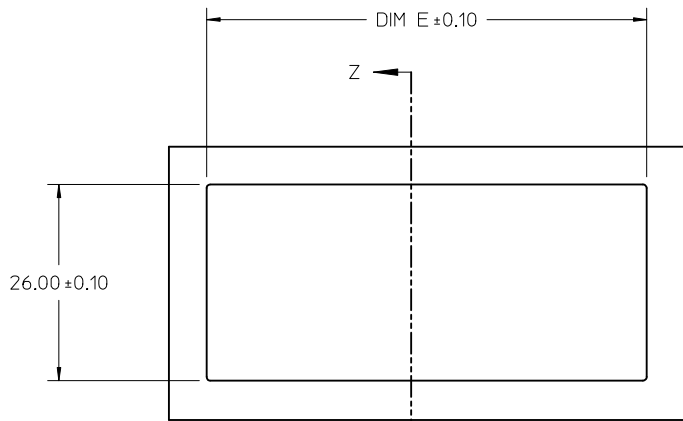
BACK ISO VIEW

SEE SHEET 1 EC NO: UCP2016-3736 DRWN:MKMPCOMDA 2016/07/25 CHKD: APPR:SMILLER 2016/08/15	QUALITY SYMBOLS	GENERAL TOLERANCES (UNLESS SPECIFIED)	DIMENSION STYLE	SCALE	DESIGN UNITS	THIRD ANGLE PROJECTION
	▽=0	mm INCH	MM ONLY	2:1	METRIC	THIRD ANGLE PROJECTION
	▽=0	4 PLACES ± --- ± ---	DRAWN BY DATE	TITLE		
	▽=0	3 PLACES ± --- ± ---	JKACHLIC 2010/06/03	ZSFP+ STACKED FULL ASSY WITH ELASTOMERIC GASKET		
	▽=0	2 PLACES ± 0.13 ± ---	MBANAKIS 2010/10/24			
	1 PLACE ± 0.25 ± ---	ANGULAR ±1/2°	SEE CHART	DOCUMENT NO.	SD-170071-0001	
	0 PLACE ± ±	DRAFT WHERE APPLICABLE MUST REMAIN WITHIN DIMENSIONS	SIZE C	THIS DRAWING CONTAINS INFORMATION THAT IS PROPRIETARY TO MOLEX INCORPORATED AND SHOULD NOT BE USED WITHOUT WRITTEN PERMISSION		
					SHEET NO.	2 OF 4

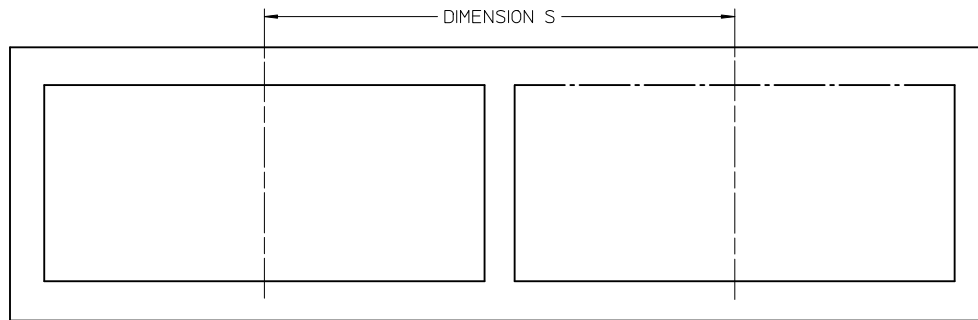
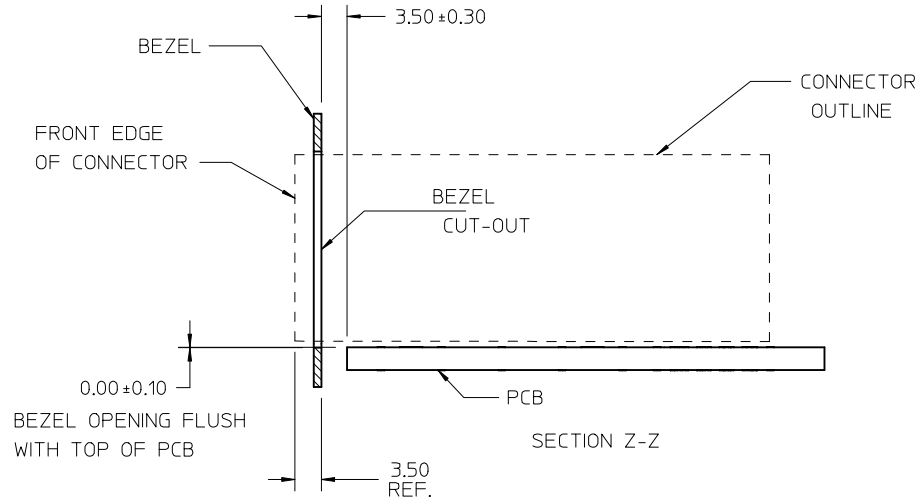


HOLE CHART				
PORT SIZE	DIM "W"	SIGNALS (Ø0.37)	SHIELD GROUND (Ø0.56)	CONNECTOR LOCATION (Ø1.60)
2X1	14.25	40	24	2
2X2	28.50	80	39	4
2X4	57.00	160	69	8
2X6	85.50	240	99	12
2X8	114.00	320	129	16
2X12	171.00	480	189	24

SEE SHEET 1 EC NO: UCP2016-3736 DRW:MKP/EGONDA 2016/07/25 CHKD: MILLER APPR:SMILLER 2016/08/15	QUALITY SYMBOLS 	GENERAL TOLERANCES (UNLESS SPECIFIED) <table border="1"> <tr> <th></th> <th>mm</th> <th>INCH</th> </tr> <tr> <td>4 PLACES</td> <td>± 0.13</td> <td>± 0.005</td> </tr> <tr> <td>3 PLACES</td> <td>± 0.13</td> <td>± 0.005</td> </tr> <tr> <td>2 PLACES</td> <td>± 0.13</td> <td>± 0.005</td> </tr> <tr> <td>1 PLACE</td> <td>± 0.25</td> <td>± 0.010</td> </tr> <tr> <td>0 PLACE</td> <td>± 0.25</td> <td>± 0.010</td> </tr> </table>		mm	INCH	4 PLACES	± 0.13	± 0.005	3 PLACES	± 0.13	± 0.005	2 PLACES	± 0.13	± 0.005	1 PLACE	± 0.25	± 0.010	0 PLACE	± 0.25	± 0.010	DIMENSION STYLE MM ONLY DRAWN BY DATE JGONZALEZ01 2010/05/27 CHECKED BY DATE JKACHLIC 2010/06/03 APPROVED BY DATE MBANAKIS 2010/10/24	SCALE 3:1 DESIGN UNITS METRIC THIRD ANGLE PROJECTION	TITLE ZSFP+ STACKED FULL ASSY WITH ELASTOMERIC GASKET
		mm	INCH																				
	4 PLACES	± 0.13	± 0.005																				
	3 PLACES	± 0.13	± 0.005																				
2 PLACES	± 0.13	± 0.005																					
1 PLACE	± 0.25	± 0.010																					
0 PLACE	± 0.25	± 0.010																					
DRAFT WHERE APPLICABLE MUST REMAIN WITHIN DIMENSIONS		MATERIAL NO. SEE CHART	DOCUMENT NO. SD-170071-0001																				
THIS DRAWING CONTAINS INFORMATION THAT IS PROPRIETARY TO MOLEX INCORPORATED AND SHOULD NOT BE USED WITHOUT WRITTEN PERMISSION					SHEET NO. 3 OF 4																		



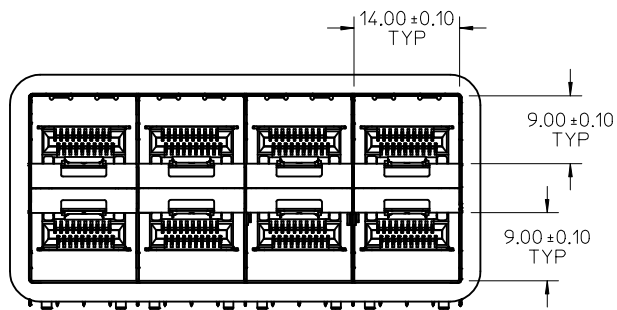
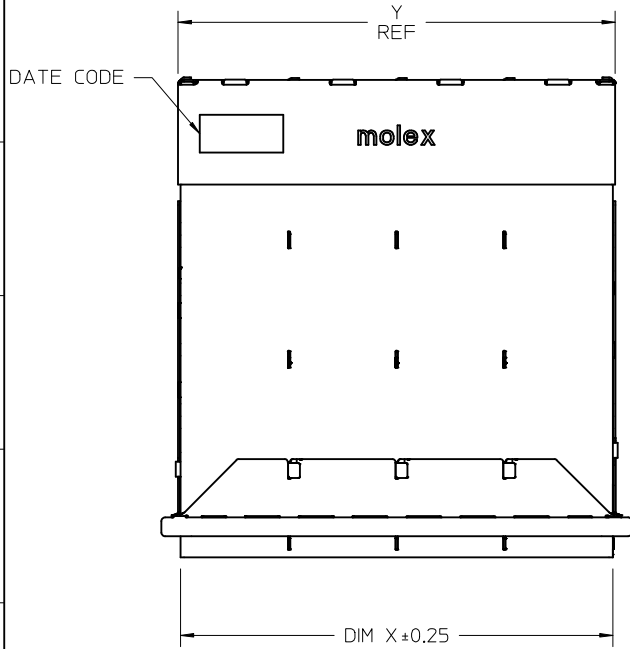
BEZEL CUT-OUT DETAIL
BEZEL THICKNESS 0.8-2.6



BEZEL CUT OUT FOR
CONNECTOR STACKING

CONFIGURATION	DIM 'E'	DIM 'S'
2X1	15.50	20.40 MINIMUM
2X2	29.75	34.65 MINIMUM
2X4	58.25	63.15 MINIMUM
2X6	86.75	91.65 MINIMUM
2X8	115.25	120.15 MINIMUM
2X12	172.25	177.15 MINIMUM

SEE SHEET 1 EC NO: UCP2016-3736 DRWING: KEMPEGONDA 2016/07/25 CHKD: MBANAKIS APPR: SMILLER 2016/08/15	QUALITY SYMBOLS 	GENERAL TOLERANCES (UNLESS SPECIFIED) <table border="1"> <tr> <td></td> <td>mm</td> <td>INCH</td> </tr> <tr> <td>4 PLACES</td> <td>± 0.10</td> <td>± 0.004</td> </tr> <tr> <td>3 PLACES</td> <td>± 0.13</td> <td>± 0.005</td> </tr> <tr> <td>2 PLACES</td> <td>± 0.25</td> <td>± 0.010</td> </tr> <tr> <td>1 PLACE</td> <td>± 0.38</td> <td>± 0.015</td> </tr> <tr> <td>0 PLACE</td> <td>± 0.51</td> <td>± 0.020</td> </tr> </table>		mm	INCH	4 PLACES	± 0.10	± 0.004	3 PLACES	± 0.13	± 0.005	2 PLACES	± 0.25	± 0.010	1 PLACE	± 0.38	± 0.015	0 PLACE	± 0.51	± 0.020	DIMENSION STYLE MM ONLY DRAWN BY: JGONZALEZ01 DATE: 2010/05/27 CHECKED BY: JKACHLIC DATE: 2010/06/03 APPROVED BY: MBANAKIS DATE: 2010/10/24 MATERIAL NO.	SCALE: 2:1 DESIGN UNITS: METRIC THIRD ANGLE PROJECTION	TITLE: ZSFP+ STACKED FULL ASSY WITH ELASTOMERIC GASKET
		mm	INCH																				
	4 PLACES	± 0.10	± 0.004																				
	3 PLACES	± 0.13	± 0.005																				
2 PLACES	± 0.25	± 0.010																					
1 PLACE	± 0.38	± 0.015																					
0 PLACE	± 0.51	± 0.020																					
DRAFT WHERE APPLICABLE MUST REMAIN WITHIN DIMENSIONS		ANGULAR ±1/2°	SEE CHART	DOCUMENT NO. SD-170071-0001	SHEET NO. 4 OF 4																		
THIS DRAWING CONTAINS INFORMATION THAT IS PROPRIETARY TO MOLEX INCORPORATED AND SHOULD NOT BE USED WITHOUT WRITTEN PERMISSION																							



NOTES:

1. MATERIAL:

CAGE: NICKEL SILVER
 CONNECTOR HOUSING: GLASS FILLED THERMOPLASTIC, UL: 94V-0, COLOR: BLACK
 TERMINALS: HIGH PERFORMANCE COPPER ALLOY
 FRONT SHIELD WALL: COPPER ALLOY
 ELASTOMERIC GASKET: SILVER IMPREGNATED SILICONE

2. FINISH

TERMINALS: CONTACT AREA: 0.76 μm MIN. HARD GOLD OVER
 3.8 μm MIN. NICKEL.
 COMPLIANT TAIL: 0.7-1.5 μm MATTE TIN OVER
 0.7-1.5 μm NICKEL
 FRONT SHIELD WALL: 0.7-1.5 μm NICKEL OVERALL

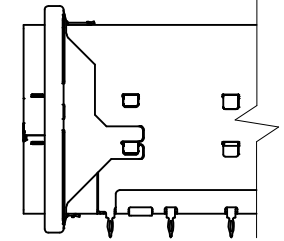
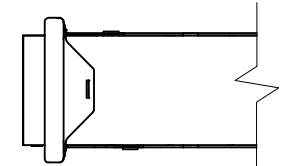
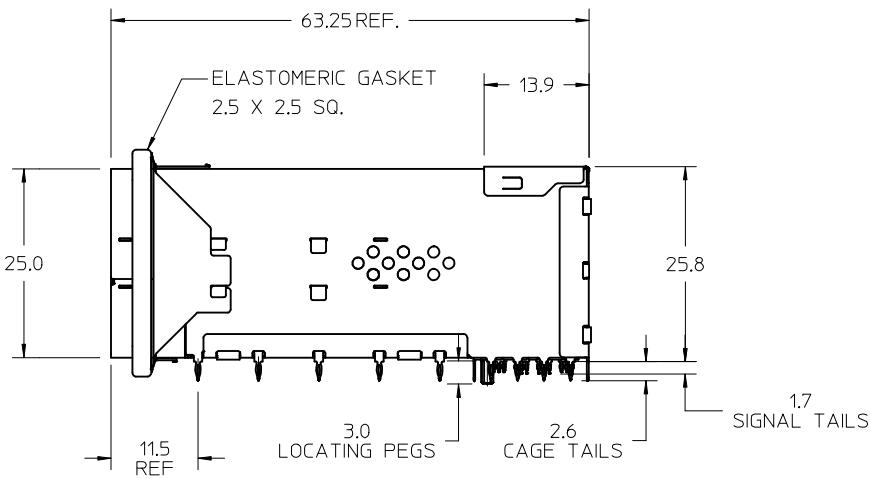
3. 2X4 CONFIGURATION SHOWN FOR REFERENCE, SEE CHART FOR AVAILABLE OPTIONS

4. REFER TO PS-170071-0001 FOR ALL ELECTRICAL, MECHANICAL AND ENVIRONMENTAL SPECIFICATIONS.

5. REFER TO AS-170071-0001 FOR CONNECTOR MOUNTING AND REWORK INFORMATION.

6. REFER TO AS-170071-0002 FOR PCB ROUTING RECOMMENDATIONS.

7. ALL VISIBLE EXTERIOR SURFACES TO BE CLASS "B" (BOTTOM OF CONNECTOR IS CLASS "C") CAGE SURFACES TO CONFORM TO THE MOLEX COSMETIC DOC PS-45499-002.

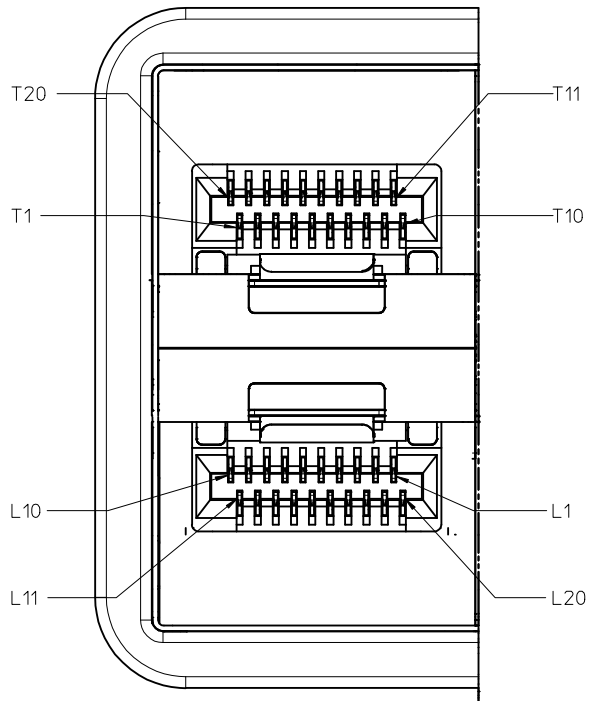


170071-1001
 APPEARANCE

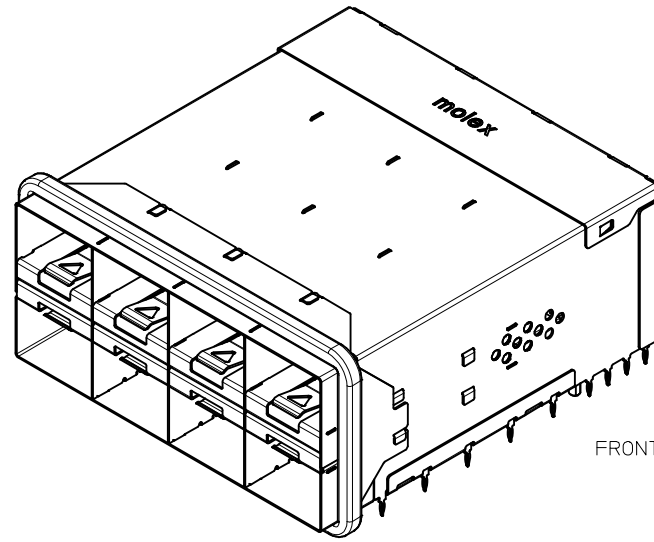
170071-4001 SHOWN FOR REFERENCE
 APPEARANCE MAY VARY WITH SIZE

PORT SIZE	PART NUMBER	DIM X	DIM Y
2X1	1700711001	14.50	15.10
2X2	1700712001	28.75	29.35
2X4	1700714001	57.25	57.85
2X6	1700716001	85.75	86.35
2X8	1700718001	114.25	114.85
2X12	1700711201	171.25	171.85

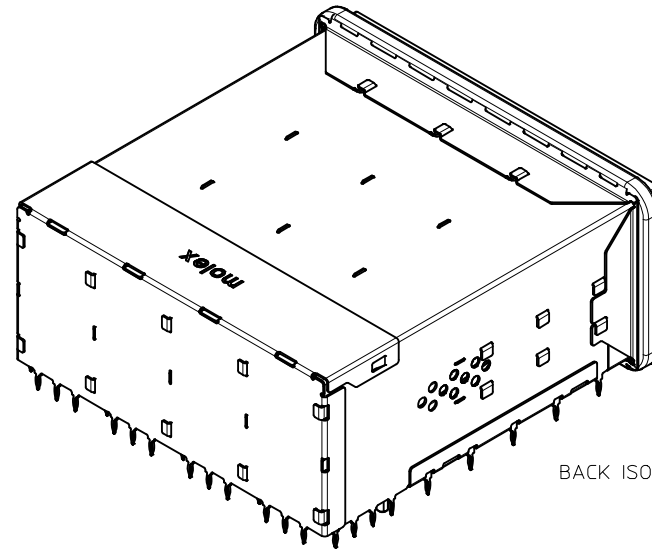
ADDED GENERAL TOL EC NO: UCP2016-3736 DRWINWEMPEGONDA 2016/07/25 CHKD: APPR:SMILLER 2016/08/15	DESCRIPTION QUALITY SYMBOLS ∇=0 ∇=0 ∇=0	GENERAL TOLERANCES (UNLESS SPECIFIED)		DIMENSION STYLE MM ONLY		SCALE 2:1	DESIGN UNITS METRIC	THIRD ANGLE PROJECTION	
		4 PLACES ± --- ± ---	DRAWN BY JGONZALEZ01	DATE 2010/05/27	TITLE ZSFP+ STACKED FULL ASSY WITH ELASTOMERIC GASKET				
		3 PLACES ± --- ± ---	CHECKED BY JKACHLIC	DATE 2010/06/03					
		2 PLACES ± 0.13 ± ---	APPROVED BY MBANAKIS	DATE 2010/10/24	DOCUMENT NO. SD-170071-0001		SHEET NO. 1 OF 4		
ANGULAR ±1/2°		MATERIAL NO. SEE CHART		THIS DRAWING CONTAINS INFORMATION THAT IS PROPRIETARY TO MOLEX INCORPORATED AND SHOULD NOT BE USED WITHOUT WRITTEN PERMISSION					
DRAFT WHERE APPLICABLE MUST REMAIN WITHIN DIMENSIONS		SIZE C							



Partial1
SCALE 6:1

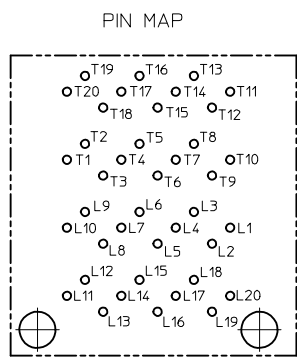
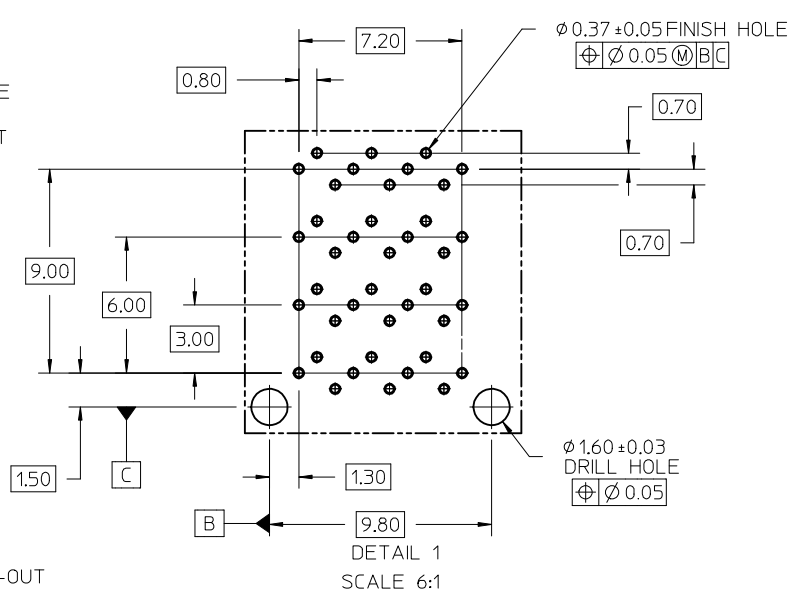
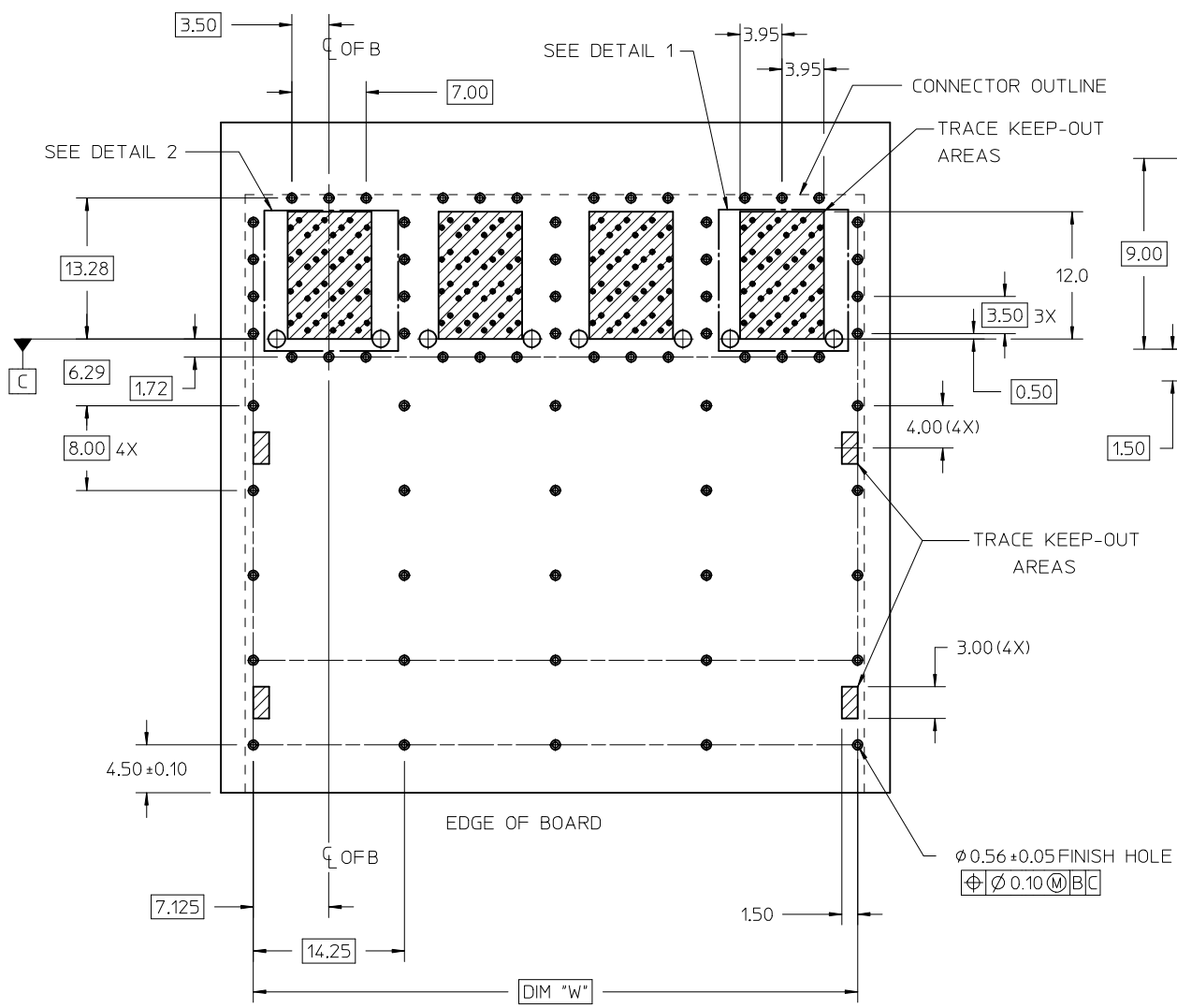


FRONT ISO VIEW



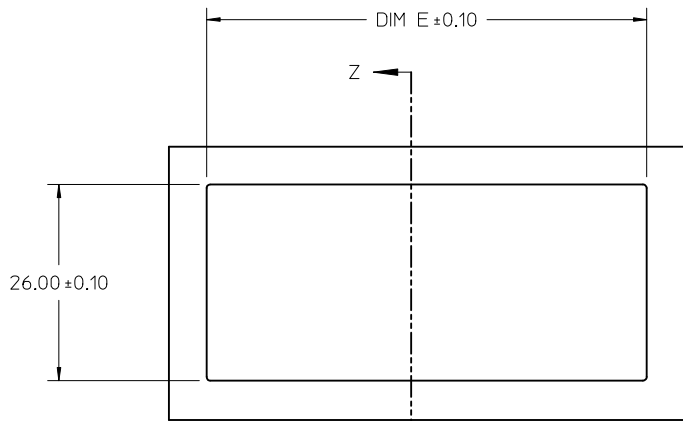
BACK ISO VIEW

SEE SHEET 1 EC NO: UCP2016-3736 DRWN:MKMPCOMDA 2016/07/25 CHKD: APPR:SMILLER 2016/08/15	QUALITY SYMBOLS	GENERAL TOLERANCES (UNLESS SPECIFIED)	DIMENSION STYLE	SCALE	DESIGN UNITS	THIRD ANGLE PROJECTION
	▽=0	mm INCH	MM ONLY	2:1	METRIC	THIRD ANGLE PROJECTION
	▽=0	4 PLACES ± --- ± ---	DRAWN BY DATE	TITLE		
	▽=0	3 PLACES ± --- ± ---	JKACHLIC 2010/06/03	ZSFP+ STACKED FULL ASSY WITH ELASTOMERIC GASKET		
	▽=0	2 PLACES ± 0.13 ± ---	MBANAKIS 2010/10/24			
	1 PLACE ± 0.25 ± ---	ANGULAR ±1/2°	SEE CHART	DOCUMENT NO.	SD-170071-0001	
	0 PLACE ± ±	DRAFT WHERE APPLICABLE MUST REMAIN WITHIN DIMENSIONS	SIZE C	THIS DRAWING CONTAINS INFORMATION THAT IS PROPRIETARY TO MOLEX INCORPORATED AND SHOULD NOT BE USED WITHOUT WRITTEN PERMISSION		
					SHEET NO.	2 OF 4

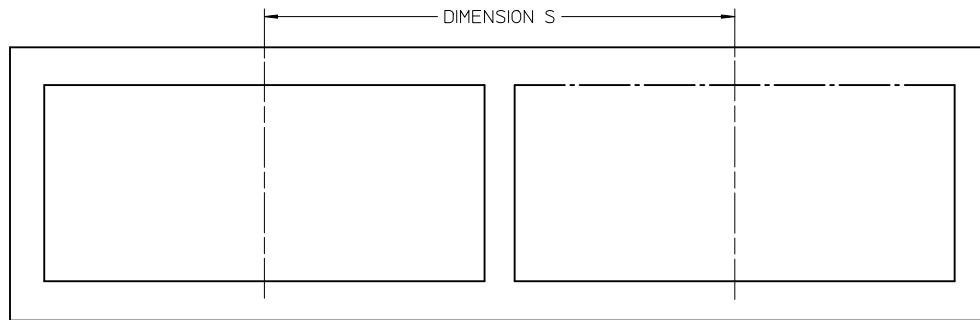
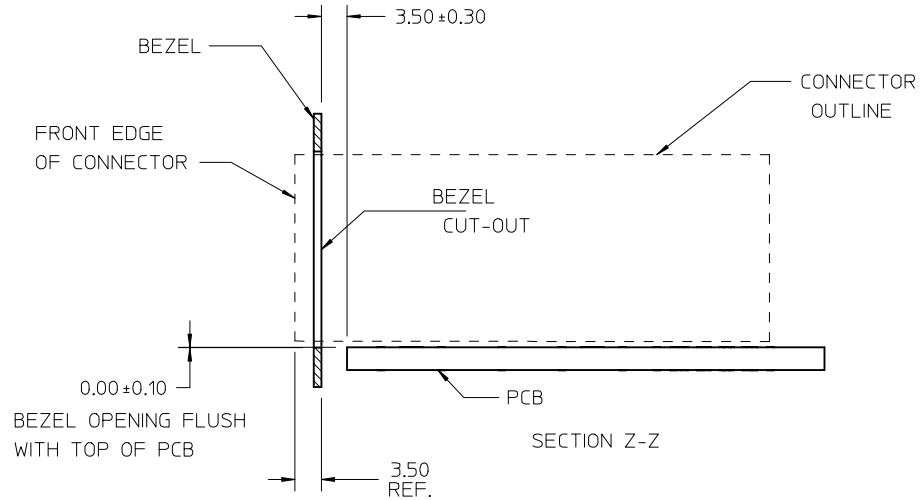


HOLE CHART				
PORT SIZE	DIM "W"	SIGNALS (Ø0.37)	SHIELD GROUND (Ø0.56)	CONNECTOR LOCATION (Ø1.60)
2X1	14.25	40	24	2
2X2	28.50	80	39	4
2X4	57.00	160	69	8
2X6	85.50	240	99	12
2X8	114.00	320	129	16
2X12	171.00	480	189	24

SEE SHEET 1 EC NO: UCP2016-3736 DRW:MKP/EGONDA 2016/07/25 CHKD: MILLER APPR:SMILLER 2016/08/15	QUALITY SYMBOLS $\nabla = 0$ $\nabla = 0$ $\nabla = 0$	GENERAL TOLERANCES (UNLESS SPECIFIED) <table border="1"> <tr> <th></th> <th>mm</th> <th>INCH</th> </tr> <tr> <td>4 PLACES</td> <td>± 0.13</td> <td>± 0.005</td> </tr> <tr> <td>3 PLACES</td> <td>± 0.13</td> <td>± 0.005</td> </tr> <tr> <td>2 PLACES</td> <td>± 0.13</td> <td>± 0.005</td> </tr> <tr> <td>1 PLACE</td> <td>± 0.25</td> <td>± 0.010</td> </tr> <tr> <td>0 PLACE</td> <td>±</td> <td>±</td> </tr> </table>		mm	INCH	4 PLACES	± 0.13	± 0.005	3 PLACES	± 0.13	± 0.005	2 PLACES	± 0.13	± 0.005	1 PLACE	± 0.25	± 0.010	0 PLACE	±	±	DIMENSION STYLE MM ONLY DRAWN BY DATE JGONZALEZ01 2010/05/27 CHECKED BY DATE JKACHLIC 2010/06/03 APPROVED BY DATE MBANAKIS 2010/10/24	SCALE 3:1 DESIGN UNITS METRIC THIRD ANGLE PROJECTION	TITLE ZSFP+ STACKED FULL ASSY WITH ELASTOMERIC GASKET
		mm	INCH																				
	4 PLACES	± 0.13	± 0.005																				
	3 PLACES	± 0.13	± 0.005																				
2 PLACES	± 0.13	± 0.005																					
1 PLACE	± 0.25	± 0.010																					
0 PLACE	±	±																					
DRAFT WHERE APPLICABLE MUST REMAIN WITHIN DIMENSIONS		MATERIAL NO. SEE CHART	DOCUMENT NO. SD-170071-0001																				
THIS DRAWING CONTAINS INFORMATION THAT IS PROPRIETARY TO MOLEX INCORPORATED AND SHOULD NOT BE USED WITHOUT WRITTEN PERMISSION																							
					SHEET NO. 3 OF 4																		



BEZEL CUT-OUT DETAIL
BEZEL THICKNESS 0.8-2.6



BEZEL CUT OUT FOR
CONNECTOR STACKING

CONFIGURATION	DIM 'E'	DIM 'S'
2X1	15.50	20.40 MINIMUM
2X2	29.75	34.65 MINIMUM
2X4	58.25	63.15 MINIMUM
2X6	86.75	91.65 MINIMUM
2X8	115.25	120.15 MINIMUM
2X12	172.25	177.15 MINIMUM

SEE SHEET 1 EC NO: UCP2016-3736 DRWING#MPEGONDA 2016/07/25 CHKD: APPR:SMILLER 2016/08/15	QUALITY SYMBOLS 	GENERAL TOLERANCES (UNLESS SPECIFIED) <table border="1"> <tr> <td></td> <td>mm</td> <td>INCH</td> </tr> <tr> <td>4 PLACES</td> <td>± 0.10</td> <td>± 0.004</td> </tr> <tr> <td>3 PLACES</td> <td>± 0.13</td> <td>± 0.005</td> </tr> <tr> <td>2 PLACES</td> <td>± 0.25</td> <td>± 0.010</td> </tr> <tr> <td>1 PLACE</td> <td>± 0.25</td> <td>± 0.010</td> </tr> <tr> <td>0 PLACE</td> <td>±</td> <td>±</td> </tr> </table>		mm	INCH	4 PLACES	± 0.10	± 0.004	3 PLACES	± 0.13	± 0.005	2 PLACES	± 0.25	± 0.010	1 PLACE	± 0.25	± 0.010	0 PLACE	±	±	DIMENSION STYLE MM ONLY DRAWN BY: JGONZALEZ01 DATE: 2010/05/27 CHECKED BY: JKACHLIC DATE: 2010/06/03 APPROVED BY: MBANAKIS DATE: 2010/10/24 MATERIAL NO.	SCALE: 2:1 DESIGN UNITS: METRIC THIRD ANGLE PROJECTION	TITLE: ZSFP+ STACKED FULL ASSY WITH ELASTOMERIC GASKET molex DOCUMENT NO. SD-170071-0001	SHEET NO. 4 OF 4
		mm	INCH																					
	4 PLACES	± 0.10	± 0.004																					
	3 PLACES	± 0.13	± 0.005																					
2 PLACES	± 0.25	± 0.010																						
1 PLACE	± 0.25	± 0.010																						
0 PLACE	±	±																						
DRAFT WHERE APPLICABLE MUST REMAIN WITHIN DIMENSIONS	SIZE: C	THIS DRAWING CONTAINS INFORMATION THAT IS PROPRIETARY TO MOLEX INCORPORATED AND SHOULD NOT BE USED WITHOUT WRITTEN PERMISSION																						