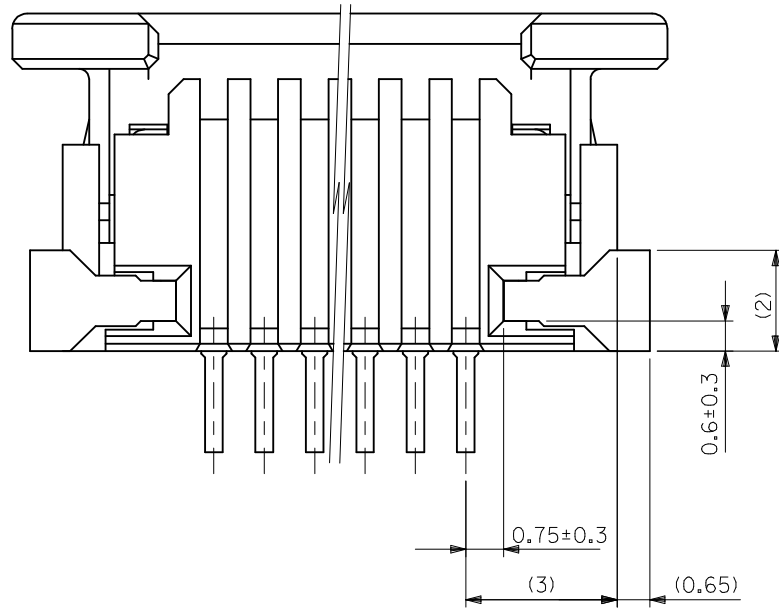


- 注記 NOTES**
- △ 接点部までの嵌合長さ。 LENGTH TO CONTACT POINT.
 - 2. 使用材料 MATERIAL
 - ハウジング : 46ナイロン, UL94V-0
 - ハウジング : 46NYLON, UL94V-0
 - アクチュエータ : PPS, UL94V-0
 - アクチュエータ : PPS, UL94V-0
 - ターミナル : リン青銅 (t=0.25)
 - ターミナル : PHOS-BRO.(t=0.25)
 - メッキ : Sn-Pb(9:1), 下地Cu
 - メッキ : Sn-Pb(9:1), Cu(UNDER PLATING)
 - 金具 : 銅合金 (t=0.25)
 - 金具 : COPPER ALLOY (t=0.25)
 - メッキ : Sn-Pb(9:1), 下地Cu
 - メッキ : Sn-Pb(9:1), Cu(UNDER PLATING)
 - △ パターンはくり止め用金具。 FITTING NAIL FOR PREVENTION OF PEELING OF P.C.B.PATTERN.
 - 4. エンボステープ梱包時は、アクチュエータがロックした状態とする。 WHEN CONNECTOR IS SHIPPED, ACTUATOR SHOULD BE LOCKED.

REVISED EC NO: J2016-1029 DRWN: SKITAZAWA 2016/04/04 CHKD: APPR: TKUJHARA01 2016/04/15	GENERAL TOLERANCES (UNLESS SPECIFIED)		DIMENSION STYLE MM ONLY		SCALE ---	DESIGN UNITS METRIC	THIRD ANGLE PROJECTION
	0.25 UNDER	UNDER	±0.2	DRAWN BY TNIITSU	DATE 1996/10/15	TITLE 1.0 FPC CONN ZIF SMT (BOTTOM CONTACT)	
	0.25 OVER	0.5 UNDER	±0.2	CHECKED BY MFUKUSHIMA	DATE 1997/07/14	molex	DOCUMENT NO. SD-52271-042
	0.5 OVER	1.0 UNDER	±0.2	APPROVED BY KMORIKAWA	DATE 2011/02/22		
	1.0 OVER	10 UNDER	±0.2	MATERIAL NO.		THIS DRAWING CONTAINS INFORMATION THAT IS PROPRIETARY TO MOLEX ELECTRONIC TECHNOLOGIES, LLC AND SHOULD NOT BE USED WITHOUT WRITTEN PERMISSION	
	10 OVER	30 UNDER	±0.25	SIZE A3			
	30 OVER		±0.3	DRAFT WHERE APPLICABLE MUST REMAIN WITHIN DIMENSIONS			

35	31.2	29	52271-3017	30
31	27.2	25	-2617	26
29	25.2	23	-2417	24
28	24.2	22	-2317	23
22	18.2	16	-1717	17
20	16.2	14	-1517	15
18	14.2	12	-1317	13
16	12.2	10	-1117	11
15	11.2	9	-1017	10
14	10.2	8	-0917	9
13	9.2	7	-0817	8
10	6.2	4	52271-0517	5
C	B	A	ENG. NO.	種数 CKT.

10 9 8 7 6 5 4 3 2 1



下面図

SEE SHEET 1 OF 2 EC NO: J2016-1029 DRWNSKI:TAZAWA 2016/04/04 CHKD: APPR:TKUJHARA01 2016/04/15	GENERAL TOLERANCES (UNLESS SPECIFIED)			DIMENSION STYLE MM ONLY		SCALE ---	DESIGN UNITS METRIC	THIRD ANGLE PROJECTION	
	0.25 UNDER	UNDER	±0.2	DRAWN BY	DATE	TITLE			
	0.25 OVER	0.5 UNDER	±0.2	TNIITSU	1996/10/15	1.0 FPC CONN ZIF SMT (BOTTOM CONTACT)			
	0.5 OVER	1.0 UNDER	±0.2	CHECKED BY	DATE	molex			
	1.0 OVER	10 UNDER	±0.2	MFUKUSHIMA	1997/07/14				
10 OVER	30 UNDER	±0.25	APPROVED BY	DATE	MATERIAL NO.		DOCUMENT NO.	SHEET NO.	
30 OVER		±0.3	KMORIKAWA	2011/02/22	SEE SHEET 1 OF 2		SD-52271-042	2 OF 2	
ANGULAR	±3 °		DRAFT WHERE APPLICABLE MUST REMAIN WITHIN DIMENSIONS		SIZE A3	THIS DRAWING CONTAINS INFORMATION THAT IS PROPRIETARY TO MOLEX ELECTRONIC TECHNOLOGIES, LLC AND SHOULD NOT BE USED WITHOUT WRITTEN PERMISSION			

9 8 7 6 5 4 3 2 1