

**NOTES :**

- 1- MATERIAL:**
- HOUSING: POLYESTER FIBER GLASS FILLED UL 94-V0, COLOR BLACK.
  - TERMINAL: PHOSPHOR BRONZE .
- PLATING 2:**
- POST PLATE (0.00127)/.000050 MIN GOLD IN CONTACT AREA
  - (0.00190)/.000075 MIN PURE TIN IN TAIL AREA
  - BOTH OVER (0.00127)/.000050 MIN NICKEL OVERALL.
- PLATING 7.**
- POST PLATE (0.00005)/.000002 MIN GOLD OVER (0.00076)/.000030 MIN
  - PALLADIUM NICKEL IN CONTACT AREA (0.00190)/.000075 MIN
  - PURE TIN IN TAIL AREA BOTH OVER (0.00127)/.000050 MIN NICKEL OVERALL (4 CKTS VERSION)

- 2- JACK FOR MATING WITH F.C.C. 68 PLUGS 90075 MOLEX SERIES.
- 3- PRODUCT SPECIFICATION PS-9500I.
- 4- APPLICATION SPECIFICATION AS-9500I.
- 5- PACKAGING SPECIFICATION PK-9500I; STANDARD PACKAGING SHEET 1. SPECIAL PACKAGING SHEET 2. TUBE PACKAGING SHEET 3.

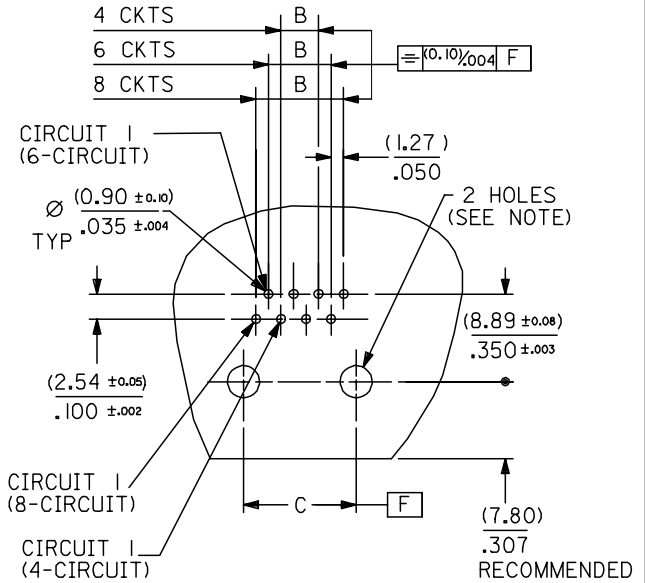
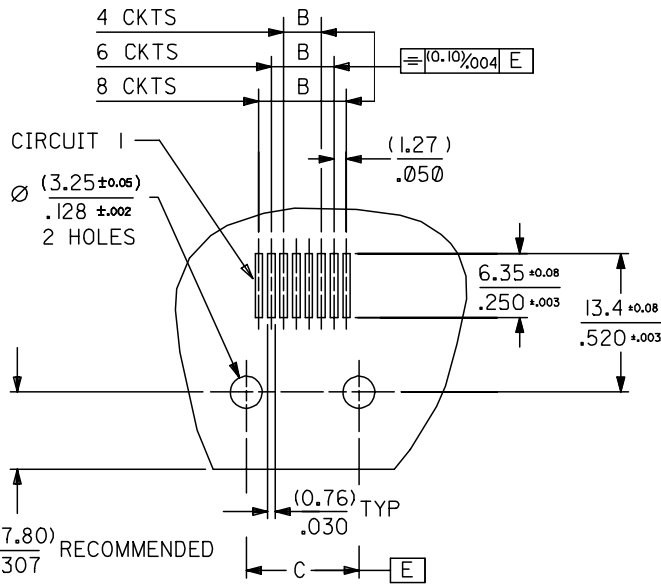
|  |                               |   |                       |                          |                    |   |                           |                        |  |  |  |
|--|-------------------------------|---|-----------------------|--------------------------|--------------------|---|---------------------------|------------------------|--|--|--|
| EC NO: MG2005-0106<br>DRWN: MARTIN 2004/10/12<br>CHKD: FCARABET 2004/10/12<br>APPR: KNOLLER 2004/10/13 | QUALITY SYMBOLS<br>▽=0<br>▽=0 | GENERAL TOLERANCES (UNLESS SPECIFIED)   |                       | DIMENSION STYLE<br>MM/IN |                    | SCALE<br>4:1  | DESIGN UNITS<br>METRIC    | THIRD ANGLE PROJECTION |  |  |  |
|  |                               | 4 PLACES ± --- ± ---  | 3 PLACES ± --- ± .006 | DRAWN BY<br>FB           | DATE<br>1993/02/24 | TITLE<br>R/A LOW PROFILE PC JACK 4,6,8 CKTS SIZE THROUGH HOLE VERSION |                           |                        |  |  |  |
|  |                               | 2 PLACES ± 0.15 ± .010  | 1 PLACE ± 0.25 ± ---  | CHECKED BY<br>ER         | DATE<br>1993/02/24 | MOLEX INCORPORATED  |                           |                        |  |  |  |
|  |                               | ANGULAR ± ---°  |                       | APPROVED BY<br>JB        | DATE<br>1993/02/24 | MATERIAL NO.<br>SEE CHART SHEETS 4.5688                               | DOCUMENT NO.<br>SDA-95001 | SHEET NO.<br>1 OF 9    |  |  |  |
| DRAFT WHERE APPLICABLE MUST REMAIN WITHIN DIMENSIONS   |                               | THIS DRAWING CONTAINS INFORMATION THAT IS PROPRIETARY TO MOLEX INCORPORATED AND SHOULD NOT BE USED WITHOUT WRITTEN PERMISSION |                       |                          |                    |   |                           |                        |  |  |  |

| TYPE \ DIM.              | POS. 4         |                | POS. 6         |                | POS. 8         |                |                |
|--------------------------|----------------|----------------|----------------|----------------|----------------|----------------|----------------|
|                          | 4 CKTS.        | 4 CKTS.        | 4 CKTS.        | 6 CKTS.        | 4 CKTS.        | 6 CKTS.        | 8 CKTS.        |
| A                        | (11.18) / .440 | (13.21) / .520 | (13.21) / .520 | (15.24) / .600 | (15.24) / .600 | (15.24) / .600 | (15.24) / .600 |
| C $\pm 0.05 / \pm 0.002$ | (7.62) / .300  | (10.16) / .400 | (10.16) / .400 | (11.43) / .450 | (11.43) / .450 | (11.43) / .450 | (11.43) / .450 |
| B $\pm 0.05 / \pm 0.002$ | (3.81) / .150  | (3.81) / .150  | (6.35) / .250  | (3.81) / .150  | (6.35) / .250  | (8.89) / .350  | (8.89) / .350  |

P.C.B. MOUNTING PATTERNS - SEE FROM COMPONENT SIDE

FOR SMT JACK TYPE (SURFACE MOUNT)

FOR STANDARD JACK TYPE (THROUGH HOLE)



FOR ALL VERSIONS, CIRCUIT 1 ALWAYS ON THE LEFT SIDE

**NOTE:**  
 FOR CONVECTION SOLDERING: DIA 3.25±0.05 / .128±.002  
 FOR WAVE SOLDERING: DIA 3.20±0.10 / .126±.004

|   |                               |   |                          |  |  |   |                        |                        |  |
|---|-------------------------------|---|--------------------------|--|--|---|------------------------|------------------------|--|
| EC NO: MG2005-0106<br>DRAWN: MARTIN 2004/10/12<br>CHKD: FCARABET 2004/10/12<br>APPR: KNOLLER 2004/10/13 | QUALITY SYMBOLS<br>▽=0<br>▽=0 | GENERAL TOLERANCES (UNLESS SPECIFIED)   |                          | DIMENSION STYLE<br>MM/IN                             |  | SCALE<br>2:1  | DESIGN UNITS<br>METRIC | THIRD ANGLE PROJECTION |  |
|   |                               | 4 PLACES ± --- ± ---<br>3 PLACES ± --- ± .006<br>2 PLACES ± 0.15 ± .010<br>1 PLACE ± 0.25 ± ---<br>ANGULAR ± ---° | mm INCH<br>FB 2004/09/25 | DRAWN BY DATE<br>CHECKED BY DATE<br>APPROVED BY DATE |  | TITLE<br>R/A LOW PROFILE JACK<br>PC JACK 4,6,8 CKT SIZE<br>SMT AND STANDARD VERSION   |                        | MOLEX INCORPORATED     |  |
| DRAFT WHERE APPLICABLE<br>MUST REMAIN<br>WITHIN DIMENSIONS  | SIZE<br>A3                    | MATERIAL NO.<br>SEE CHART SHEETS 4,5&6  |                          | DOCUMENT NO.<br>SDA-95001                            |  | THIS DRAWING CONTAINS INFORMATION THAT IS PROPRIETARY TO MOLEX INCORPORATED AND SHOULD NOT BE USED WITHOUT WRITTEN PERMISSION |                        |                        |  |

