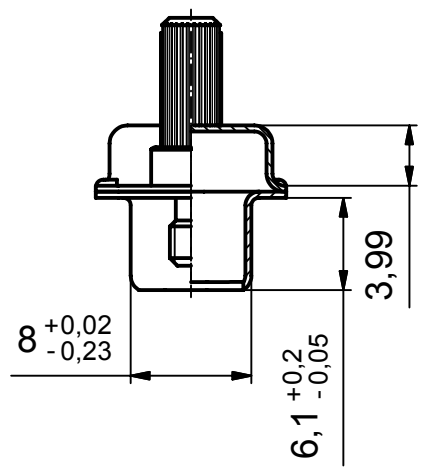
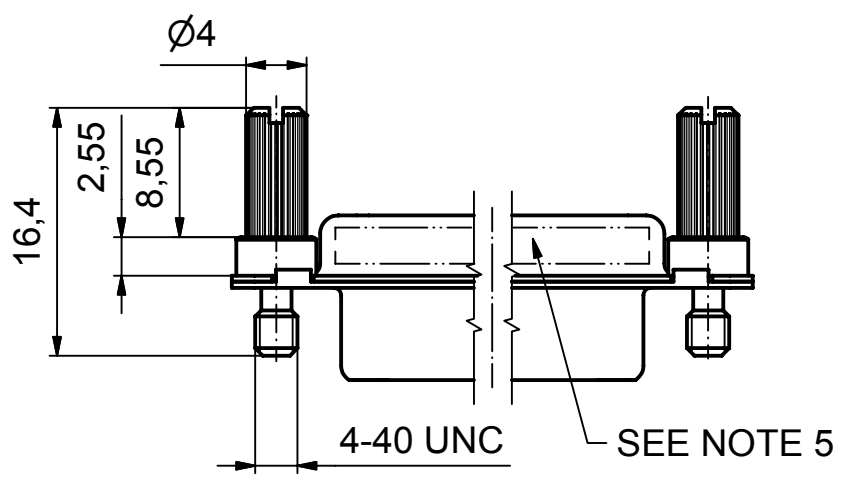
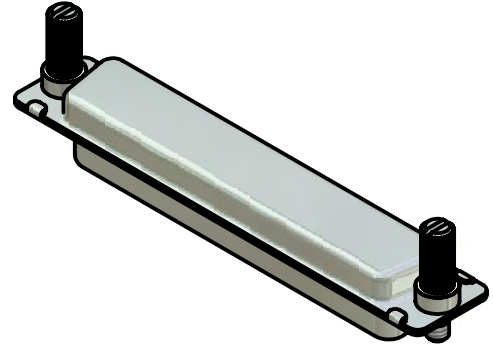
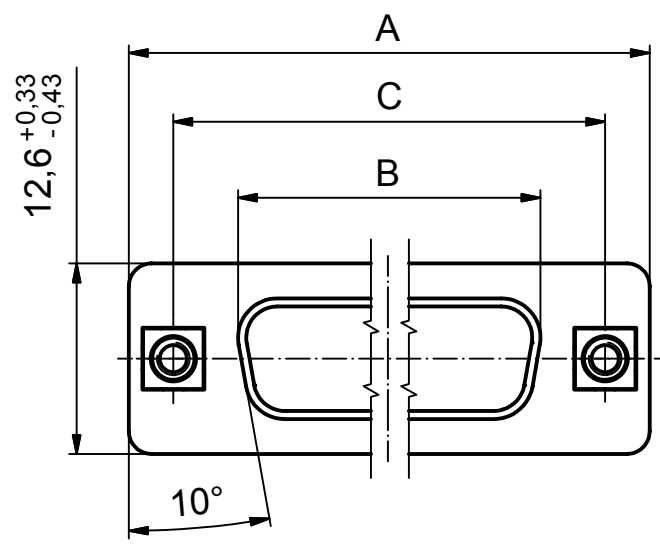


POS.	A -0.76	B -0.25	C	Part-No.
9	31,19	16.46	25,00 ^{+0,12} _{-0,10}	165X17009X
15	39,52	24.79	33,30 ^{+0,15}	165X17019X
25	53,42	38.50	47,04 ^{±0,13}	165X17029X
37	69,70	54.96	63,50 ^{+0,13} _{-0,11}	165X17039X



NOTES:

1. METALSHELLS: STEEL; min. 315µin TIN over 40-80µin NICKEL
2. THREADED INSERT: COPPER ALLOY; min. 200µin TIN over 80µin NICKEL
3. COLLAR: COPPER ALLOY; min. 200µin TIN over 80µin NICKEL
4. JACK SCREW: STEEL; NICKEL PLATED
5. COVERED SCREEN CAP IS PART MARKED: PART-NO. CONEC ABC



THIS DRAWING MAY NOT BE COPIED OR REPRODUCED IN ANY WAY, AND MAY NOT BE PASSED ON TO A THIRD PARTY WITHOUT WRITTEN PERMISSION. OWNERSHIP AND COPYRIGHT OF CONEC GmbH

DO NOT ALTER CAD DRAWING BY HAND				finish:		tolerance		 dim. in mm
				SEE NOTES				
				date	name		title: COVERED SCREE CAP 9-37pos. FOR PLUG CONNECTOR with jack screw	
				drawn	21.07.06	Lehmenkühler		
				appd.	21.07.06	Kühle		
				norm				
				d-old			dwg no: Inventor 10	
a	Origin					16K1A1853		DIN-A4
rev.	description	date	name			part no: SEE TABLE		sh: 1