



# Product Specifications

PART NO.:

VL470T5763A-E6YA

REV: 1.0

## General Information

**2GB 256Mx64 DDR2 SDRAM NON-ECC UNBUFFERED SODIMM 200-PIN**

## Description

The VL470T5763A is a 128Mx64 DDR2 SDRAM high density SODIMM. This single rank memory module consists of eight CMOS 256Mx8 bits with 8 banks DDR2 synchronous DRAMs in BGA packages and a 2K EEPROM in an 8-pin TSSOP package. This module is a 200-pin small-outline dual in-line memory module and is intended for mounting into an edge connector socket. Decoupling capacitors are mounted on the printed circuit board for each DDR2 SDRAM.

## Features

- 200-pin, small-outline dual in-line memory module (SODIMM)
- JEDEC pin out
- Fast data transfer rate: PC2-5300
- VDD = VDDQ = 1.8V +/-0.1V
- JEDEC standard 1.8V (SSTL\_18 compatible)
- VDDSPD = 1.7V to 3.6V
- Differential data strobe (DQS, DQS#) option
- Differential clock inputs (CK, CK#)
- Four-bit pre-fetch architecture
- DLL aligns DQ and DQS transition with CK
- Nominal and dynamic on-die termination (ODT)
- Programmable CAS# latency: 5 (DDR2-667)
- Write latency = Read latency - 1 tCK
- Eight internal component banks for concurrent operation
- Programmable burst; length (4, 8)
- Adjustable data-output drive strength
- Auto & self refresh, (8K/64ms refresh)
- Serial presence detect (SPD) with EEPROM
- Gold edge contacts
- Lead-free, RoHS compliant
- PCB: Height 30.00mm (1.181"), double sided component
- Operating temperature (TOPER): - Commercial (0°C <= Tc <= 95°C)  
- Industrial (-40°C <= Tc <= 95°C)

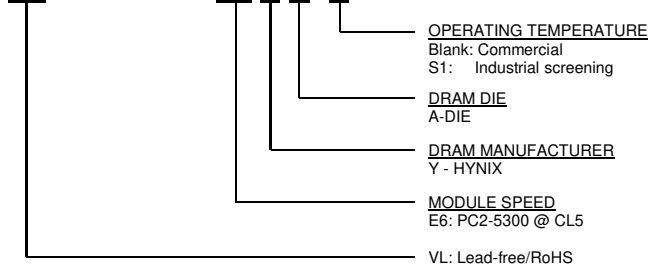
Notes: Double refresh rate is required when 85°C < TOPER <= 95°C.  
TOPER is DRAM case temperature.

## Pin Description

Pin Name	Function
A0~A14	Address Inputs
A10/AP	Address Input/ Autoprecharge
BA0~BA2	Bank Address Inputs
DQ0~DQ63	Data Input/Output
DQS0~DQS7	Data Stobes
DQS0#~DQS7#	Data Stobes Complement
DM0~DM7	Data Masks
CK0, CK0#, CK1, CK1#	Clock Inputs
ODT0	On-die Termination Control
CKE0	Clock Enables
CS0#	Chip Selects
RAS#	Row Address Stobes
CAS#	Column Address Stobes
WE#	Write Enable
VDD	Voltage Supply
VSS	Ground
SA0~SA1	SPD Address
SDA	SPD Data Input/Output
SCL	SPD Clock Input
VDDSPD	SPD Voltage Supply
VREF	SSTL_18 Reference Voltage
NC	No Connect

## Order Information:

**VL470T5763A - E6 Y A - X**



Dram component: Hynix H5PS2G83AFR-S6C



# Product Specifications

PART NO.:

VL470T5763A-E6YA

REV: 1.0

## Pin Configuration

200-PIN DDR2 SODIMM FRONT								200-PIN DDR2 SODIMM BACK							
Pin	Name	Pin	Name	Pin	Name	Pin	Name	Pin	Name	Pin	Name	Pin	Name		
1	VREF	51	DQS2	101	A1	151	DQ42	2	VSS	52	DM2	102	A0	152	DQ46
3	VSS	53	VSS	103	VDD	153	DQ43	4	DQ4	54	VSS	104	VDD	154	DQ47
5	DQ0	55	DQ18	105	A10/AP	155	VSS	6	DQ5	56	DQ22	106	BA1	156	VSS
7	DQ1	57	DQ19	107	BA0	157	DQ48	8	VSS	58	DQ23	108	RAS#	158	DQ52
9	VSS	59	VSS	109	WE#	159	DQ49	10	DM0	60	VSS	110	CS0#	160	DQ53
11	DQS0#	61	DQ24	111	VDD	161	VSS	12	VSS	62	DQ28	112	VDD	162	VSS
13	DQS0	63	DQ25	113	CAS#	163	NC	14	DQ6	64	DQ29	114	OTD0	164	CK1
15	VSS	65	VSS	115	CS1#*	165	VSS	16	DQ7	66	VSS	116	A13	166	CK1#
17	DQ2	67	DM3	117	VDD	167	DQS6#	18	VSS	68	DQS3#	118	VDD	168	VSS
19	DQ3	69	NC	119	ODT1*	169	DQS6	20	DQ12	70	DQS3	120	NC	170	DM6
21	VSS	71	VSS	121	VSS	171	VSS	22	DQ13	72	VSS	122	VSS	172	VSS
23	DQ8	73	DQ26	123	DQ32	173	DQ50	24	VSS	74	DQ30	124	DQ36	174	DQ54
25	DQ9	75	DQ27	125	DQ33	175	DQ51	26	DM1	76	DQ31	126	DQ37	176	DQ55
27	VSS	77	VSS	127	VSS	177	VSS	28	VSS	78	VSS	128	VSS	178	VSS
29	DQS1#	79	CKE0	129	DQS4#	179	DQ56	30	CK0	80	CKE1*	130	DM4	180	DQ60
31	DQS1	81	VDD	131	DQS4	181	DQ57	32	CK0#	82	VDD	132	VSS	182	DQ61
33	VSS	83	NC	133	VSS	183	VSS	34	VSS	84	NC	134	DQ38	184	VSS
35	DQ10	85	BA2	135	DQ34	185	DM7	36	DQ14	86	A14	136	DQ39	186	DQS7#
37	DQ11	87	VDD	137	DQ35	187	VSS	38	DQ15	88	VDD	138	VSS	188	DQS7
39	VSS	89	A12	139	VSS	189	DQ58	40	VSS	90	A11	140	DQ44	190	VSS
41	VSS	91	A9	141	DQ40	191	DQ59	42	VSS	92	A7	142	DQ45	192	DQ62
43	DQ16	93	A8	143	DQ41	193	VSS	44	DQ20	94	A6	144	VSS	194	DQ63
45	DQ17	95	VDD	145	VSS	195	SDA	46	DQ21	96	VDD	146	DQS5#	196	VSS
47	VSS	97	A5	147	DM5	197	SCL	48	VSS	98	A4	148	DQS5	198	SA0
49	DQS2#	99	A3	149	VSS	199	VDDSPD	50	NC	100	A2	150	VSS	200	SA1

(\*): These pins are not used on this module.



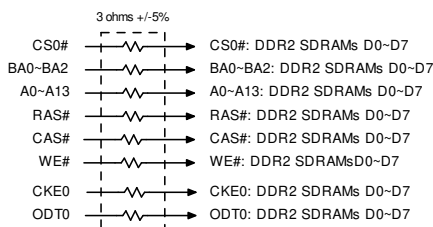
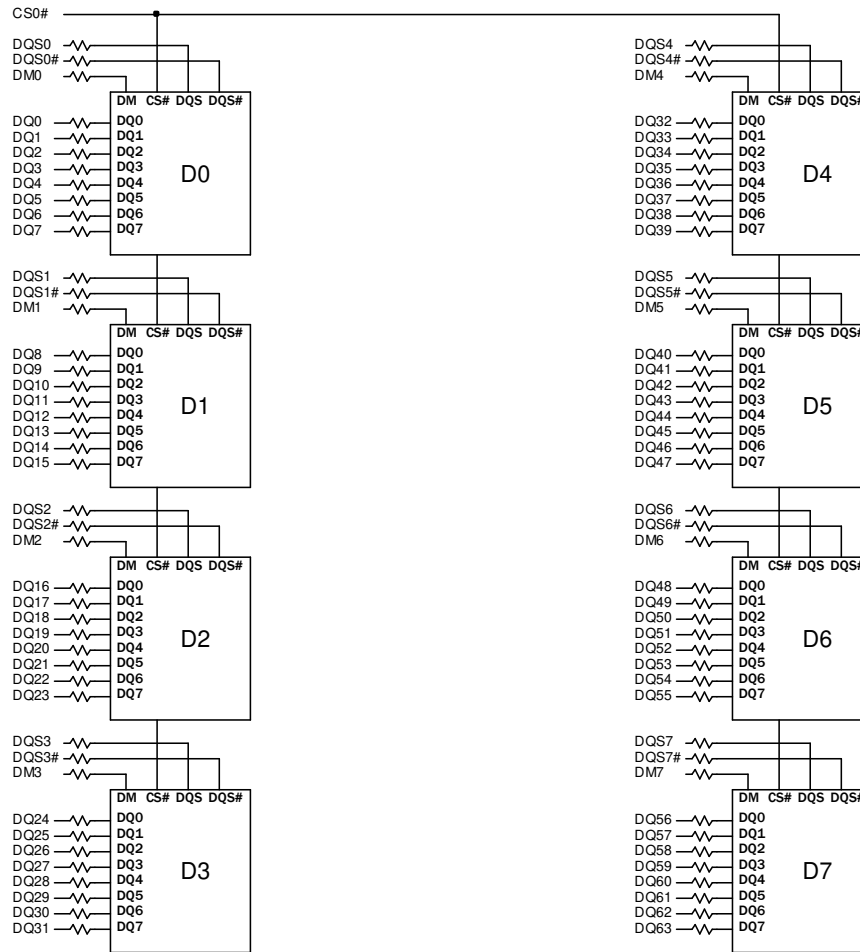
# Product Specifications

PART NO.:

VL470T5763A-E6YA

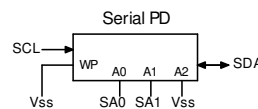
REV: 1.0

## Function Block Diagram



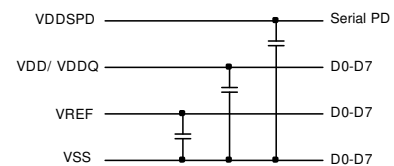
Notes:

1. Unless otherwise noted, resistor values are 22 ohms +/-5%



* Clock Wiring	
Clock Input	DDR2 SDRAMs
*CK0, CK0#	4 SDRAMs
*CK1, CK1#	4 SDRAMs

\* Wire per Clock Loading Table/Wiring Diagrams





# Product Specifications

PART NO.:

VL470T5763A-E6YA

REV: 1.0

## Absolute Maximum Ratings

Symbol	Parameter	Min	Max	Unit	
VDD	Voltage on VDD pin relative to VSS	-1.0	2.3	V	
VDDQ	Voltage on VDDQ pin relative to VSS	-0.5	2.3	V	
VDDL	Voltage on VDDL pin relative to VSS	-0.5	2.3	V	
VIN, VOUT	Voltage on any pin relative to VSS	-0.5	2.3	V	
TSTG	Storage temperature	-55	100	°C	
IL	Input leakage current; Any input 0V<VIN<VDD; VREF input 0V<VIN<0.95V; Other pins not under test = 0V	Address, BA, RAS#, CAS#, WE#	-16	16	µA
		CS#, CKE, ODT	-16	16	µA
		CK, CK#	-16	16	µA
		DM	-2	2	µA
IOZ	Output leakage current; 0V<VOUT<VDDQ; DQs and ODT are disabled	DQ, DQS, DQS#	-5	5	µA
IVREF	VREF supply leakage current; VREF = Valid VREF level	-16	16	µA	

## DC Operating Conditions

Symbol	Parameter	Min	Typical	Max	Unit	Notes
VDD	Supply voltage	1.7	1.8	1.9	V	1
VDDQ	I/O supply voltage	1.7	1.8	1.9	V	4
VDDL	VDDL supply voltage	1.7	1.8	1.9	V	4
VREF	I/O reference voltage	0.49 x VDDQ	0.50 x VDDQ	0.51 x VDDQ	V	2
VTT	I/O termination voltage	VREF-0.04	VREF	VREF+0.04	V	3

**Notes:**

1. VDD, VDDQ must track each other. VDDQ must be less than or equal to VDD.
2. VREF is expected to equal VDDQ/2 of the transmitting device and to track variations in the DC level of the same. Peak-to-peak noise on VREF may not exceed +/-1percent of the DC value. Peak-to-peak AC noise on VREF may not exceed +/-2 percent of VREF. This measurement is to be taken at the nearest VREF bypass capacitor.
3. VTT is not applied directly to the device. VTT is a system supply for signal termination resistors, is expected to be set equal to VREF and must track variations in the DC level of VREF.
4. VDDQ tracks with VDD; VDDL tracks with VDD.



## Product Specifications

PART NO.:

VL470T5763A-E6YA

REV: 1.0

### Operating Temperature Condition

Symbol	Parameter	Rating	Units	Notes
TOPER	Operating temperature	Commercial	°C	1,2
		Industrial		

**Notes:**

- Operating temperature is the case surface temperature on the center/top side of the DRAM. For the measurement conditions, please refer to JEDEC JESD51-2.
- At -40 to +85°C, operation temperature range, all DRAM specifications will be supported. The refresh rate is required to double when 85°C < TOPER ≤ 95°C.

### Input DC Logic Level

All voltages referenced to VSS

Symbol	Parameter	Min	Max	Unit
VIH(DC)	Input High (Logic 1) Voltage	VREF + 0.125	VDDQ + 0.300	V
VIL(DC)	Input Low (Logic 0) Voltage	-0.300	VREF - 0.125	V

### Input AC Logic Level

All voltages referenced to VSS

Symbol	Parameter	Min	Max	Unit
VIH(AC)	Input High (Logic 1) Voltage	VREF + 0.200	-	V
VIL(AC)	Input Low (Logic 0) Voltage	-	VREF - 0.200	V

### Input/Output Capacitance

TA=25°C, f=100MHz

Parameter	Symbol	E6 (DDR2-667)		Unit
		Min	Max	
Input capacitance (A0~A14, BA0~BA2, RAS#, CAS#, WE#)	CIN1	12	20	pF
Input capacitance (CKE0, ODT0, CS0#)	CIN2	12	20	pF
Input capacitance (CK0, CK0#), (CK1, CK1#)	CIN3	8	12	pF
Input/Output capacitance (DQ, DQS, DQS#, DM)	CIO	6.5	7.5	pF



# Product Specifications

PART NO.:

VL470T5763A-E6YA

REV: 1.0

## IDD Specification

Condition	Symbol	E6 (DDR2-667)	Unit
<b>Operating one bank active-pre-charge current;</b> $t_{CK} = t_{CK(IDD)}$ ; $t_{RC} = t_{RC(IDD)}$ ; $t_{RAS} = t_{RAS\ MIN(IDD)}$ ; CKE is HIGH, CS# is HIGH between valid commands; Address bus inputs are SWITCHING; Data bus inputs are SWITCHING	IDD0*	720	mA
<b>Operating one bank active-read-pre-charge current;</b> IOUT = 0mA; BL = 4; CL = CL(IDD); AL = 0; $t_{CK} = t_{CK(IDD)}$ ; $t_{RC} = t_{RC(IDD)}$ ; $t_{RAS} = t_{RAS\ MIN(IDD)}$ ; $t_{RCD} = t_{RCD(IDD)}$ ; CKE is HIGH, CS# is HIGH between valid commands; Address bus inputs are SWITCHING; Data pattern is same as IDD4W	IDD1*	800	mA
<b>Pre-charge power-down current;</b> All banks idle; $t_{CK} = t_{CK(IDD)}$ ; CKE is LOW; Other control and address bus inputs are STABLE; Data bus inputs are FLOATING	IDD2P**	96	mA
<b>Pre-charge quiet standby current;</b> All banks idle; $t_{CK} = t_{CK(IDD)}$ ; CKE is HIGH; Other control and address bus inputs are STABLE; Data bus inputs are FLOATING	IDD2Q**	360	mA
<b>Pre-charge standby current;</b> All banks idle; $t_{CK} = t_{CK(IDD)}$ ; CKE is HIGH; Other control and address bus inputs are STABLE; Data bus inputs are SWITCHING	IDD2N**	400	mA
<b>Active power-down current;</b> All banks open; $t_{CK} = t_{CK(IDD)}$ ; CKE is LOW; Other control and address bus inputs are STABLE; Data bus inputs are FLOATING.	Fast PDN Exit MRS(12) = 0	280	mA
	Slow PDN Exit MRS(12) = 1	144	mA
<b>Active standby current;</b> All banks open; $t_{CK} = t_{CK(IDD)}$ ; $t_{RP} = t_{RP(IDD)}$ ; $t_{RAS} = t_{RAS\ MAX(IDD)}$ ; CKE is HIGH, CS# is HIGH between valid commands; Other control and address bus inputs are SWITCHING; Data bus inputs are SWITCHING.	IDD3N**	560	mA
<b>Operating burst write current;</b> All banks open; Continuous burst writes; BL = 8; CL = CL(IDD); AL = 0; $t_{CK} = t_{CK(IDD)}$ ; $t_{RAS} = t_{RAS\ MAX(IDD)}$ ; $t_{RP} = t_{RP(IDD)}$ ; CKE is HIGH, CS# is HIGH between valid commands; Address bus inputs are SWITCHING; Data bus inputs are SWITCHING	IDD4W*	1600	mA
<b>Operating burst read current;</b> All banks open; Continuous burst reads; IOUT = 0mA; BL = 4; CL = CL(IDD); AL = 0; $t_{CK} = t_{CK(IDD)}$ ; $t_{RAS} = t_{RAS\ MAX(IDD)}$ ; $t_{RP} = t_{RP(IDD)}$ ; CKE is HIGH, CS# is HIGH between valid commands; Address bus inputs are SWITCHING; Data pattern is same as IDD4W.	IDD4R*	1480	mA
<b>Burst refresh current;</b> $t_{CK} = t_{CK(IDD)}$ ; Refresh command at every $t_{RFC(IDD)}$ interval; CKE is HIGH; CS# is HIGH between valid commands; Other control and address bus inputs are SWITCHING; Data bus inputs are SWITCHING.	IDD5**	1760	mA
<b>Self refresh current;</b> CK and CK# at 0V; CKE < 0.2V; Other control and address bus inputs are FLOATING; Data bus inputs are FLOATING.	Normal	120	mA
<b>Operating bank interleave read current;</b> All bank interleaving reads; IOUT = 0mA; BL = 8; CL = CL(IDD); AL = $t_{RCD(IDD)} - 1 * t_{CK(IDD)}$ ; $t_{CK} = t_{CK(IDD)}$ ; $t_{RC} = t_{RC(IDD)}$ ; $t_{RRD} = t_{RRD(IDD)}$ ; $t_{RCD} = 1 * t_{CK(IDD)}$ ; CKE is HIGH; CS# is HIGH between valid commands; Address bus inputs are STABLE during DESELECTs; Data bus inputs are SWITCHING.	IDD7*	2240	mA

Notes:

IDD specification is based on Hynix A-die components.

\*: Value calculated as one module rank in this operating condition, and all other module ranks in IDD2P (CKE LOW) mode.

\*\* : Value calculated reflects all module ranks in this operating condition.



# Product Specifications

PART NO.:

VL470T5763A-E6YA

REV: 1.0

## AC TIMING PARAMETERS & SPECIFICATIONS

Parameter	Symbol	E7 (DDR2-800)		E6 (DDR2-667)		D5 (DDR2-533)		Unit	
		Min	Max	Min	Max	Min	Max		
<b>Clock Timing</b>									
Clock Cycle Time	CL6	tCK(6)	2,500	8,000	-	-	-	-	ps
	CL5	tCK(5)	3,000	8,000	3,000	8,000	-	-	ps
	CL4	tCK(4)	3,750	8,000	3,750	8,000	3,750	8,000	ps
CK high-level width		tCH(avg)	0.48	0.52	0.48	0.52	0.48	0.52	tCK
CK low-level width		tCL(avg)	0.48	0.52	0.48	0.52	0.48	0.52	tCK
Half clock period		tHP	MIN (tCH, tCL)	-	MIN (tCH, tCL)	-	MIN (tCH, tCL)	-	ps
Clock jitter		tJIT	-100	100	-125	125	-125	125	ps
<b>Data Timing</b>									
DQ output access time from CK/CK#		tAC	-400	400	-450	+450	-500	500	ps
Data-out high impedance window from CK/CK#		tHZ	-	tAC(MAX)	-	tAC(MAX)	-	tAC(MAX)	ps
Data-out low impedance window from CK/CK#		tLZ (DQ)	2 x tAC(MIN)	tAC(MAX)	2 x tAC(MIN)	tAC(MAX)	2 x tAC(MIN)	tAC(MAX)	ps
DQ and DM input setup time relative to DQS		tDS	50	-	100	-	100	-	ps
DQ and DM input hold time relative to DQS		tDH	125	-	175	-	225	-	ps
DQ and DM input pulse width ( for each input)		tDIPW	0.35	-	0.35	-	0.35	-	tCK
Data hold skew factor		tQHS	-	300	-	340	-	400	ps
DQ-DQS hold, DQS to first DQ to go non-valid, per access		tQH	tHP - tQHS	-	tHP - tQHS	-	tHP - tQHS	-	ps
Data valid output window (DVW)		tDVW	tQH - tDQSQ	-	tQH - tDQSQ	-	tQH - tDQSQ	-	ns
<b>Data Strobe Timing</b>									
DQS input high pulse width		tDQSH	0.35	-	0.35	-	0.35	-	tCK
DQS input low pulse width		tDQSL	0.35	-	0.35	-	0.35	-	tCK
DQS output access time from CK/CK#		tDQSCK	-350	+350	-400	+400	-450	+450	ps
DQS failing edge to CK rising-setup time		tDSS	0.2	-	0.2	-	0.2	-	tCK
DQS failing edge from CK rising-hold time		tDSH	0.2	-	0.2	-	0.2	-	tCK
DQS-DQ skew, DQS to last DQ valid, per group, per access		tDQSQ	-	200	-	240	-	300	ps
DQS read preamble		tRPRE	0.9	1.1	0.9	1.1	0.9	1.1	tCK
DQS read preamble		tRPST	0.4	0.6	0.4	0.6	0.4	0.6	tCK
DQS read preamble setup time		tWPRES	0	-	0	-	0	-	ps
DQS read preamble		tWPRE	0.35	-	0.35	-	0.35	-	tCK
DQS read preamble		tWPST	0.4	0.6	0.4	0.6	0.4	0.6	tCK
First DQS latching transition to associated clock edge		tDQSS	-0.25	0.25	-0.25	0.25	-0.25	0.25	tCK
Write command to first DQS latching transition		-	WL - tDQSS	WL+ tDQSS	WL - tDQSS	WL+ tDQSS	WL - tDQSS	WL+ tDQSS	tCK
<b>Command and Address Timing</b>									
Address and control input pulse width for each input		tIPW	0.6	-	0.6	-	0.6	-	tCK
Address and control input setup time		tIS	175	-	200	-	250	-	ps
Address and control input hold time		tIH	250	-	275	-	375	-	ps
CAS# to CAS# command delay		tCCD	2	-	2	-	2	-	tCK
ACTIVE to ACTIVE (same bank) command		tRC	60	-	60	-	60	-	ns
Active to active command period for 1KB page size products		tRRD	7.5	-	7.5	-	7.5	-	ns
Active to active command period for 2KB page size products		tRRD	10	-	10	-	10	-	ns



# Product Specifications

PART NO.:

VL470T5763A-E6YA

REV: 1.0

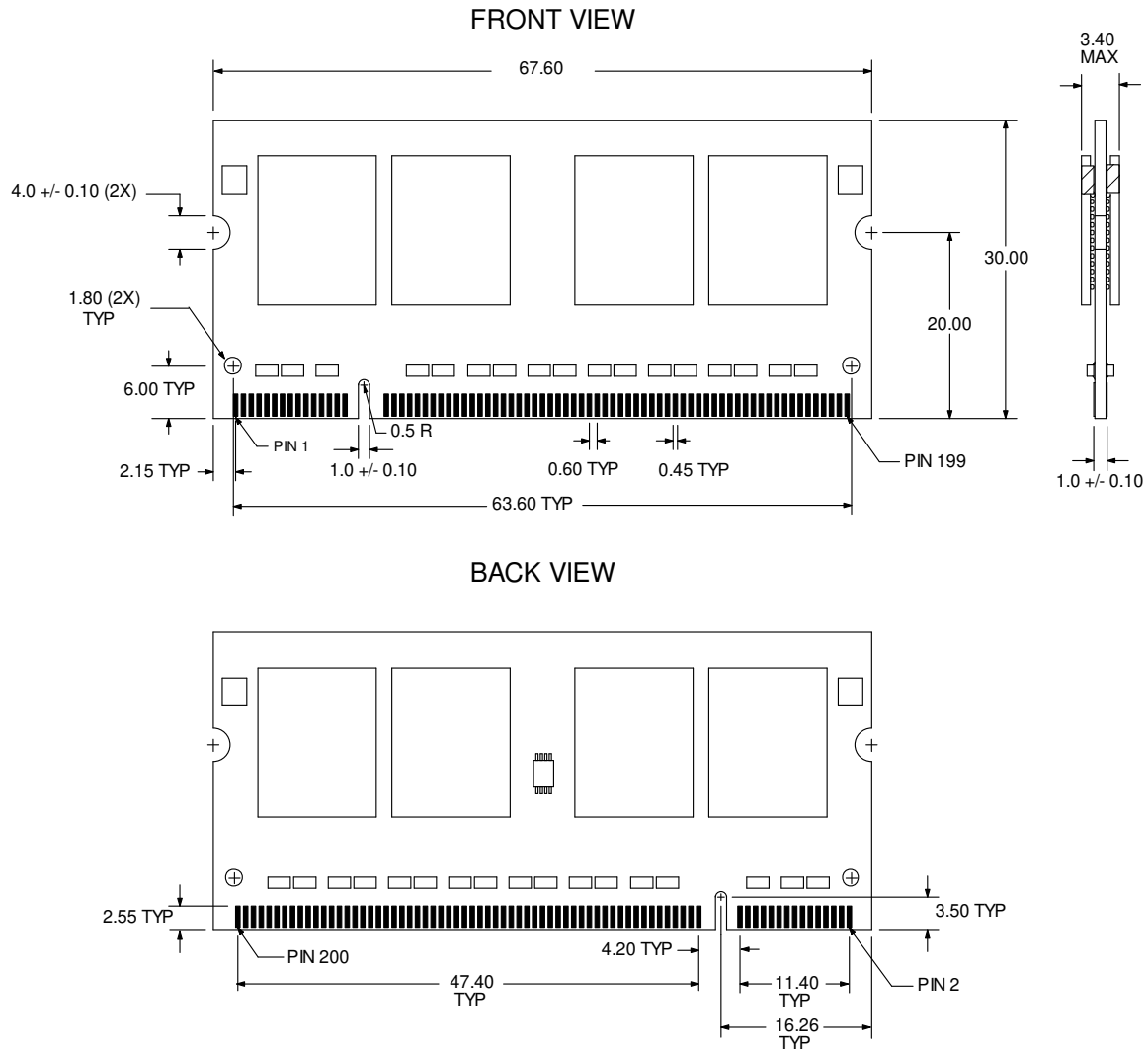
## AC TIMING PARAMETERS & SPECIFICATIONS

Parameter	Symbol	E7 (DDR2-800)		E6 (DDR2-667)		D5 (DDR2-533)		Unit	
		Min	Max	Min	Max	Min	Max		
ACTIVE to READ or WRITE delay	tRCD	15	-	15	-	15	-	ns	
Four Activate Window for 1KB page size products	tFAW	35	-	37.5	-	37.5	-	ns	
Four Activate Window for 2KB page size products	tFAW	45	-	50	-	50	-	ns	
ACTIVE to PRECHARGE command	tRAS	45	70,000	45	70,000	45	70,000	ns	
Internal READ to precharge Command delay	tRTP	7.5	-	7.5	-	7.5	-	ns	
Write recovery time	tWR	15	-	15	-	15	-	ns	
Auto precharge write recovery + precharge time	tDAL	tWR + tRP	-	tWR + tRP	-	tWR + tRP	-	tCK	
Internal WRITE to READ Command delay	tWTR	7.5	-	7.5	-	7.5	-	ns	
PRECHARGE command period	tRP	15	-	15	-	15	-	ns	
PRECHARGE ALL command period	tRPA	<1Gb	15	-	15	-	15	-	ns
		≥1Gb	17.5	-	18	-	18.75	-	ns
LOAD MODE command cycle time	tMRD	2	-	2	-	2	-	tCK	
CKE low to CK, CK# uncertainty	tDELAY	tIS+tCK +tIH	-	tIS+tCK +tIH	-	tIS+tCK +tIH	-	ns	
<b>Refresh, Self-Refresh</b>									
Refresh to Active or Refresh to Refresh command interval	tRFC	195	-	195	-	195	-	ns	
Average periodic Refresh interval	tREFI	0°C≤tCASE≤85°C	-	7.8	-	7.8	-	7.8	us
		85°C≤tCASE≤95°C	-	3.9	-	3.9	-	3.9	us
Exit Self Refresh to non-READ command	tXSNR	t RFC(MIN) +10	-	t RFC(MIN) +10	-	t RFC(MIN) +10	-	ns	
Exit Self Refresh to READ	tXSRD	200	-	200	-	200	-	tCK	
Exit Self Refresh timing reference	tISXR	tIS	-	tIS	-	tIS	-	ps	
<b>ODT</b>									
ODT turn-on delay	tAOND	2	2	2	2	2	2	tCK	
ODT turn-on	tAON	t AC(MIN)	t AC(MAX)+ 700	t AC(MIN)	t AC(MAX)+ 700	t AC(MIN)	t AC(MAX)+ 1,000	ps	
ODT turn-off delay	tAOFD	2.5	2.5	2.5	2.5	2.5	2.5	tCK	
ODT turn-off	tAOF	t AC(MIN)	t AC(MAX)+ 600	t AC(MIN)	t AC(MAX)+ 600	t AC(MIN)	t AC(MAX)+ 600	ps	
ODT turn-on(power-down mode)	tAONPD	t AC(MIN)+ 2,000	2 x tCK + t AC(MAX)+ 1,000	t AC(MIN)+ 2,000	2 x tCK + t AC(MAX)+ 1,000	t AC(MIN)+ 2,000	2 x tCK + t AC(MAX)+ 1,000	ps	
ODT turn-off (power-down mode)	tAOFPD	t AC(MIN)+ 2,000	2.5 x tCK + t AC(MAX)+ 1,000	t AC(MIN)+ 2,000	2.5 x tCK + t AC(MAX)+ 1,000	t AC(MIN)+ 2,000	2.5 x tCK + t AC(MAX)+ 1,000	ps	
ODT to power-down entry latency	tANPD	3	-	3	-	3	-	tCK	
ODT power-down exit latency	tAXPD	8	-	8	-	8	-	tCK	
<b>Power Down</b>									
Exit active power-down to READ command, MR[bit12=0]	tXARD	2	-	2	-	2	-	tCK	
Exit active power-down to READ command, MR[bit12=1]	tXARDS	8-AL	-	7-AL	-	6-AL	-	tCK	
Exit precharge power-down to any non-READ command	tXP	2	-	2	-	2	-	tCK	
CKE minimum high/low time	tCKE	3	-	3	-	3	-	tCK	



Product Specifications		
PART NO.:	VL470T5763A-E6YA	REV: 1.0

## Package Dimensions



Note: 1. All dimensions are in millimeters with tolerance +/- 0.15mm unless otherwise specified.  
 2. The dimensional diagram is for reference only.



<b>Product Specifications</b>		
PART NO.:	<b>VL470T5763A-E6YA</b>	<b>REV: 1.0</b>

**Revision History:**

<b>Date</b>	<b>Rev.</b>	<b>Page</b>	<b>Changes</b>
10/24/2012	1.0	All	Spec release