

THE SKY PANEL™

THE SKY PANEL gives a soothing experience by offering a realistically close simulation of the natural sky in indoor spaces. The panels provide for improved focus and concentration with reduced glare and uniform illumination. **THE SKY PANEL** comes with easy installation and fits seamlessly into any 2X2 drop ceiling. An optional surface mount kit is also available. These UL Certified panels are ideal for brightening up indoor spaces with soothing shades of blue and white to replicate the outdoor experience. They are ideal for corporate environments, educational & health facilities, basements, etc.



Product Features

- Operating temperature: -20°C to 40°C
- Up to 130 Lumens per Watt efficacy
- 0-10V Dimming capability
- Glare-free lighting with remarkable light uniformity
- Super slim design with durable construction
- Integral LED driver, eliminates the need for an external driver or ballast
- Complies with UL safety regulations
- Built-in standard earthquake clips
- Optional hanging or surface mounting accessories are available
- Spotless soft light without shadow
- Optional Emergency backup
- Universal 120-277Vac
- No UV or IR in the beam
- Environment friendly with no mercury
- Easy to install and operate, with instant and no humming
- Energy saving with long lifespan

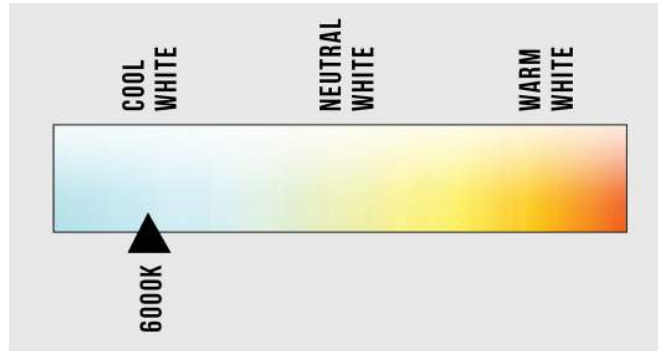
SKU #	Model #	Watts	Lumens	CCT	Size	Input Voltage	Certifications
153586	BLT-BPLED-2X2-39/D10/U/60/HL	39W	5070LM	6000K	2X2'	120-277V	UL
153457	Suspension Mounting Kit Hanging Wire	-	-			-	-
153484	Suspension Mounting Kit 2x2	-	-			-	-
153467	Emergency Driver	-	-			-	-

SKU Number 153586 Specifications

Parameter	Description	Value
General Performance	Model #	BLT-BPLED-2X2-39/D10/U/60/HL
	Wattage	39W
	Lumen	Up to 5070LM
	Lumen Efficacy	Up to 130LM/W
	Color Temperature	6000K
	CRI (Ra)	>80
	Light Source	Non-replaceable LED
	Ceiling Type	Exposed T-bar ceiling
Electrical	Input Voltage	120-277Vac
	Frequency	50/60Hz
	Dimming	0-10V dimming standard
Physical	Operating Temperature	-20°C TO 40°C
	Size	2X2 FT
	Housing Color	White
Qualification	IP Rating	(IP20)
	L70 / L90	> 75,000h / > 40,000h
	Warranty	5 years warranty with 24/7 operating hours Luminaire lifetime at 25°C

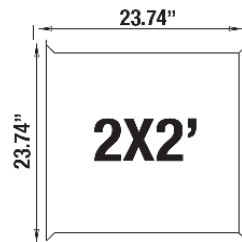


Correlated Color Temperature (CCT)

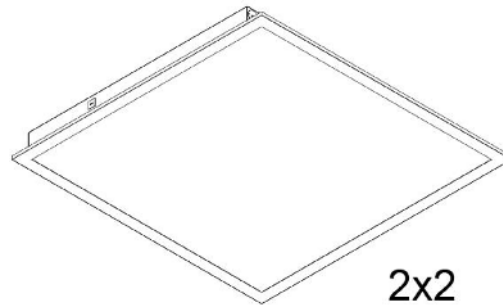


Dimensions

SOLD AS SET OF 4



Installation Instructions



Warning

RISK OF FIRE OR ELECTRIC SHOCK

The Backlit LED Panel Light must be installed by a qualified electrician in accordance with applicable federal, state, and local laws and codes. Installation requires knowledge of luminaire electrical systems and installer should be familiar with the operation of this product. If not qualified, do not attempt installation; contact a qualified electrician. Manufacturer assumes no responsibility for the improper installation of this luminaire. When installing the fixture, drilling may damage luminaire wiring and electrical parts. Check for wiring and components in enclosure before drilling. Before installation or maintenance, please disconnect the power to prevent electric shock.

To prevent wiring damage or abrasion, do not expose wiring to edges of sheet metal or other sharp objects. When installing this kit, drilling may damage luminaire wiring and electrical parts. Check for wiring and components in enclosure before drilling.

RISK OF PERSONAL INJURY, FIRE OR ELECTRIC SHOCK

Turn OFF power before installation.

Caution

RISK OF PERSONAL INJURY

- Wear gloves or proper handling protection to prevent cuts or abrasions when handling and maintaining this product. This equipment may have sharp edges. To reduce the risk of death, personal injury or property damage from fire, electric shock, falling parts, cuts/abrasions, and other hazards read all warning and instructions included with and on the fixture box and all fixture labels.
- Avoid direct eye exposure to the light source while it is on.

Notice

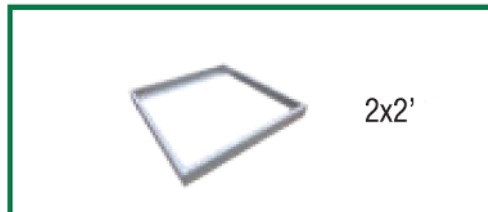
- Green ground screw provided in proper location. Do not relocate.
- Minimum 90°C supply conductors.
- Specifications and dimensions subject to change without notice.
- Please keep the LED Panel away from any corrosive substance, and please use dry cloth when you clean it.
- Suitable for Dry or Damp location only.

Contact manufacturer with any questions or concerns regarding installation of this luminaire.

These instructions do not cover all details or variations in equipment, nor do they provide for every possible situation during installation, operation, or maintenance.

Optional Accessories

Surface Mounting Kit 2X2 SKU# 153484



Suspension Mounting Kit Hanging Wire SKU# 153457



Emergency Driver SKU# 153467



Recessed Installation Steps

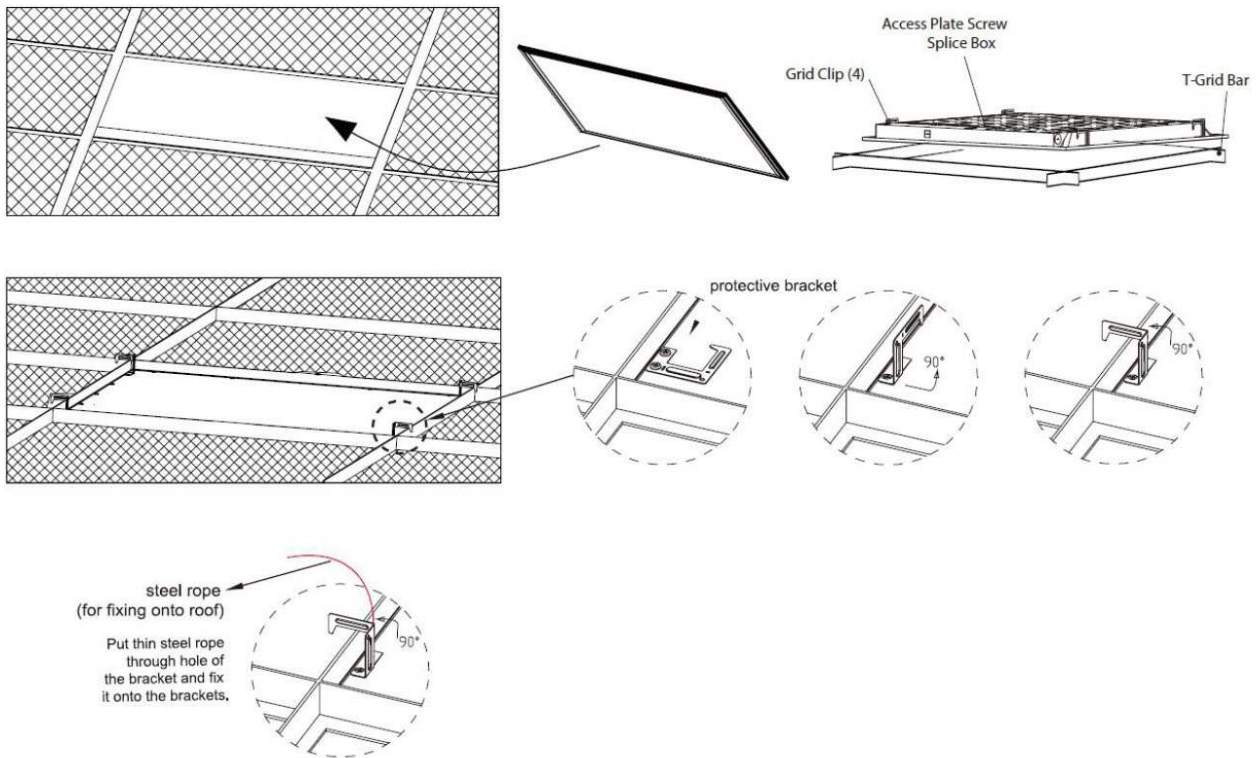
Suitable for 9/16" or 15/16" Flat T-Grid in both insulated ceilings and non-insulated ceilings.

Access above ceiling required.

1. Bend (4) grid clip mounting tab 90° degrees on each corner.
2. Rotate and slide the luminaire as required to fit through the T-Grid Bar and secure. Support wires are required by installation codes (not included in the package).
3. Make sure that the orientation of the Access Plate and Splice Box face an accessible tile to make electrical splices.
4. Loosen Access Plate Screw and remove the Access Plate Knock out appropriate Conduit Knockouts on the Access Plate to route input conduit. Use appropriate conduit connectors as required by code.
5. Connect wires as shown in wiring diagram below. Push all wires back into the Splice Box. Use appropriate UL-approved wire connectors as required by code to complete wiring.
6. Ensure that the wiring of the last luminaire in the row is properly terminated. Then make all electrical connections to the luminaire. Attach the wiring access cover plate.



Caution



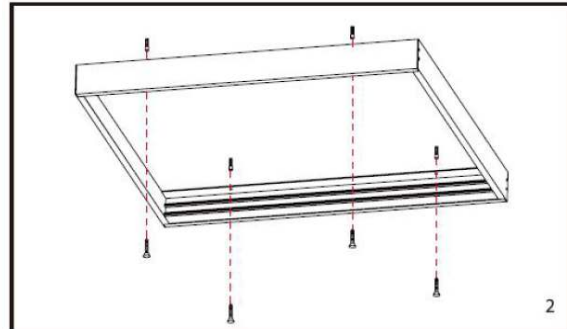
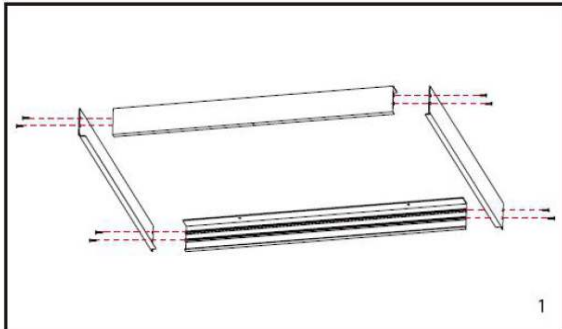
1. Avoid direct eye exposure to the light source while it is on.
2. Account for small parts and destroy packing material, as these may be hazardous to children.
3. Disconnect power and allow fixture to cool before changing bulb or handing fixture.

These instructions do not cover all details or variations in equipment, nor do they provide for every possible situation during installation, operation, or maintenance.

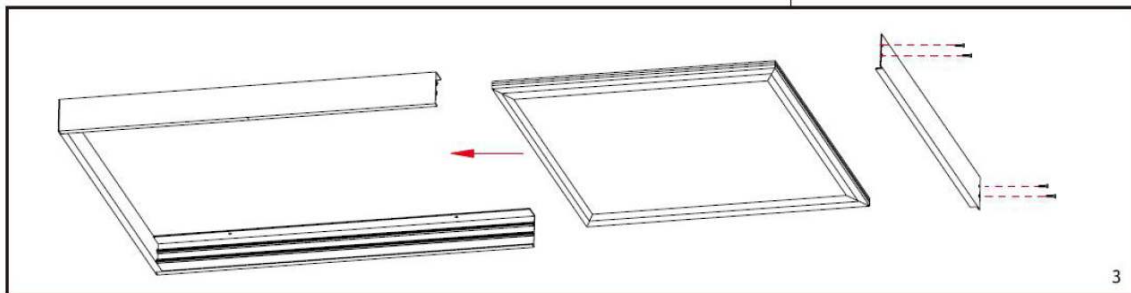
Surface Mount Installation Steps

Required additional kit from manufacturer:

1. Put the four pieces of frame together and fix them by screws.
2. Fix the frame onto the wall by screws.

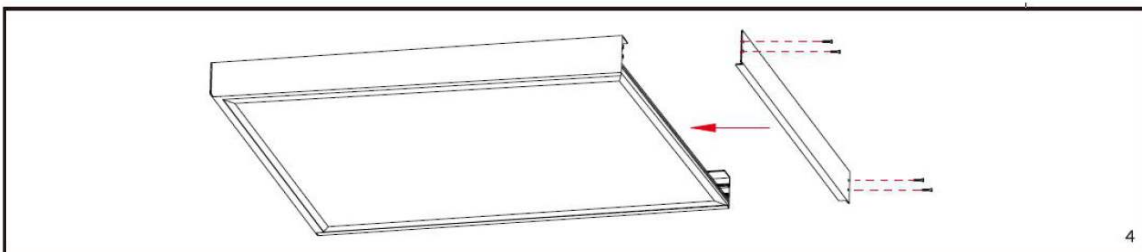


3. Dismantle one piece of frame and put the LED panel into the frame.



4. Fix the frame by putting back the dismantled part.

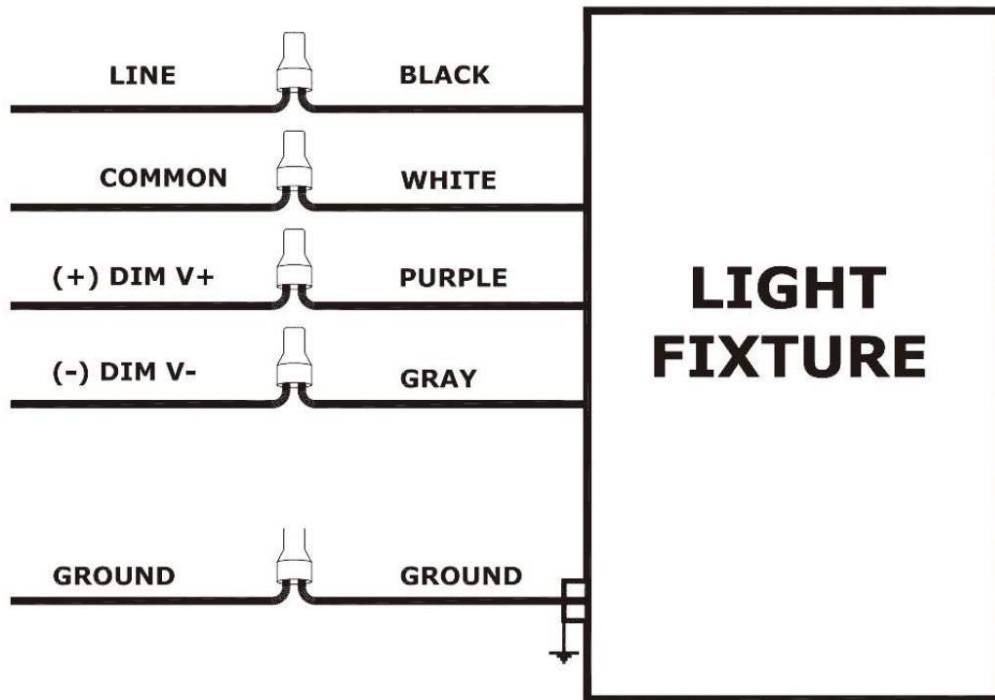
Note: The drivers and connector must be fixed to the back of LED panel by adhesive tape.



Wiring Instruction

Universal voltage driver permits operation at 120V thru 277V.

1. Connect the BLACK fixture lead to the LINE supply lead.
2. Connect the WHITE fixture lead to the COMMON supply lead.
3. Connect the GROUND wire from fixture to supply ground.



Troubleshooting

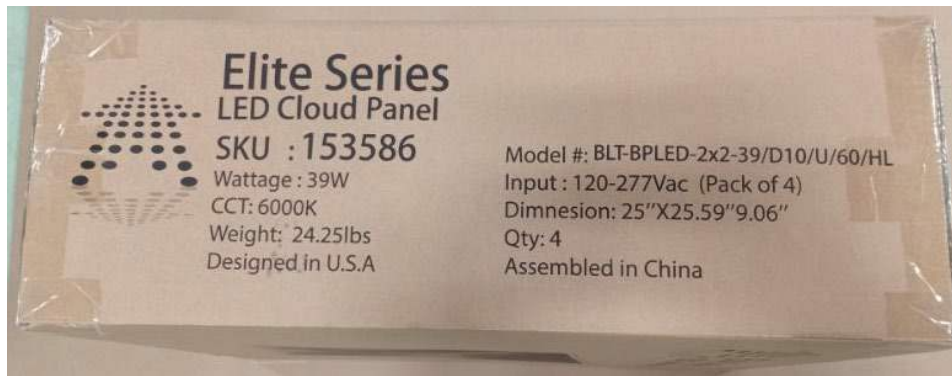
1. Check that the line voltage at fixture is correct. Refer to wiring directions.
2. Is the fixture grounded properly?

These instructions do not cover all details or variations in equipment, nor do they provide for every possible situation during installation, operation, or maintenance.

Packaging Info for SKU # 153586

Bracket Type	Carton Size	Qty/Box	G.W./Box
Outer Box	25.00 X 25.59 X 9.06 in	4 PCS	24.25 lbs

Tolerance of Carton Size: ± 15 MM, Tolerance of Weight: $\pm 10\%$.



Application



Safety Precautions

To reduce the risk of death, personal injury or property damage from fire, electric shock, falling parts, cuts/abrasions, and other hazards read all warnings and instructions included with and on the fixture box and all fixture labels. Before installing, servicing, or performing routine maintenance upon this equipment, follow these general precautions. Commercial installation, service and maintenance of luminaires should be performed by a qualified licensed electrician.

For the installation: If you are unsure about the installation or maintenance of the luminaires, consult a qualified licensed electrician and check your local electrical code. To prevent wiring damage or abrasion, do not expose wiring to edges of sheet metal or other sharp objects. Do not make or alter any open holes in an enclosure of wiring or electrical components during kit installation.

WARNING: RISK OF FIRE OR ELECTRICAL SHOCK

Turn off electrical power at fuse or circuit breaker box before wiring fixture to the power supply. Turn off the power when you perform any maintenance. Verify that supply voltage is correct by comparing it with the luminaire label information. Make all electrical and grounded connections in accordance with the National Electrical Code and any applicable local code requirements. All wiring connections should be capped with UL approved wire connectors.

CAUTION: RISK OF INJURY

Avoid direct eye exposure to the light source while it is on. Account for small parts and destroy packing material, as these may be hazardous to children.



Warranty

5 Years Warranty

This product is warranty to be free from defects in workmanship and materials for up to 5 Years from date of purchase. If it fails to do so, please contact Beyond LED technology at sales@beyondledtechnology.com or call 1(866) 786-1117 for instructions on replacement.