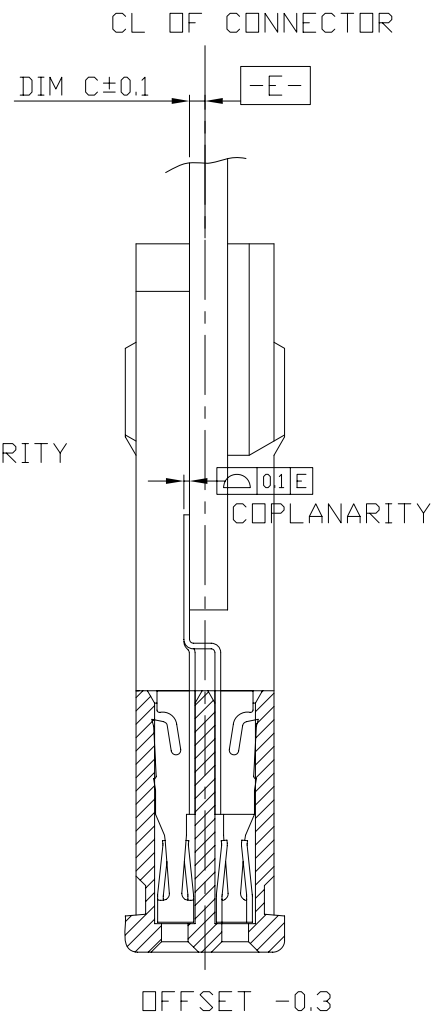
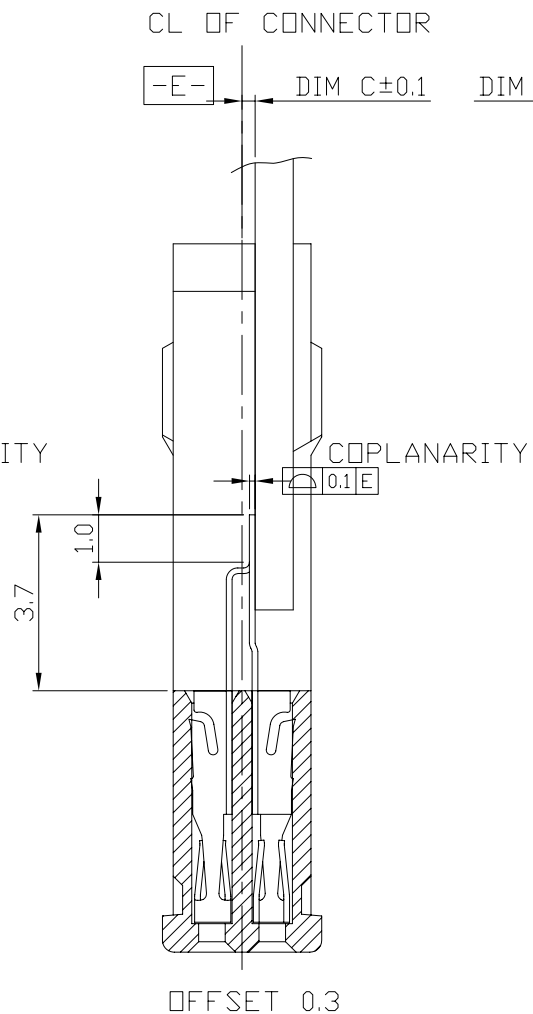
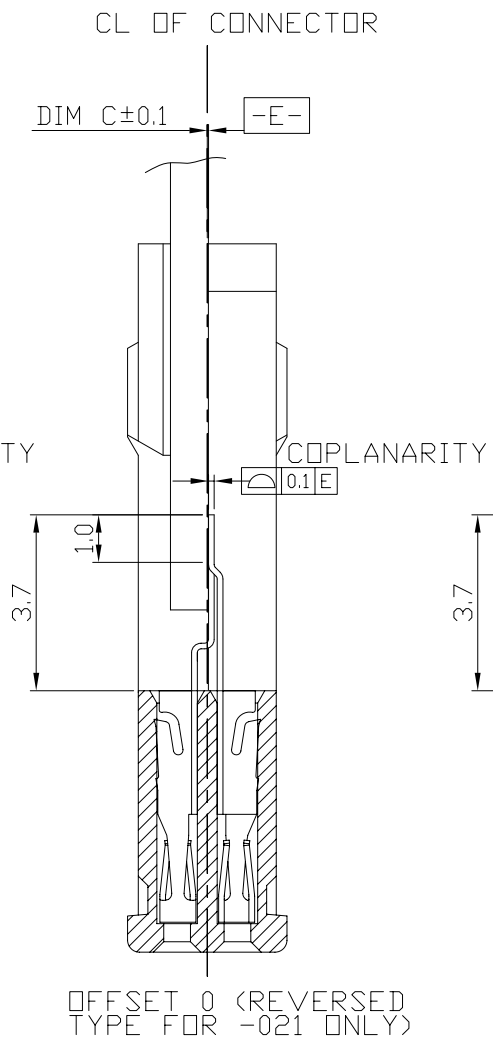
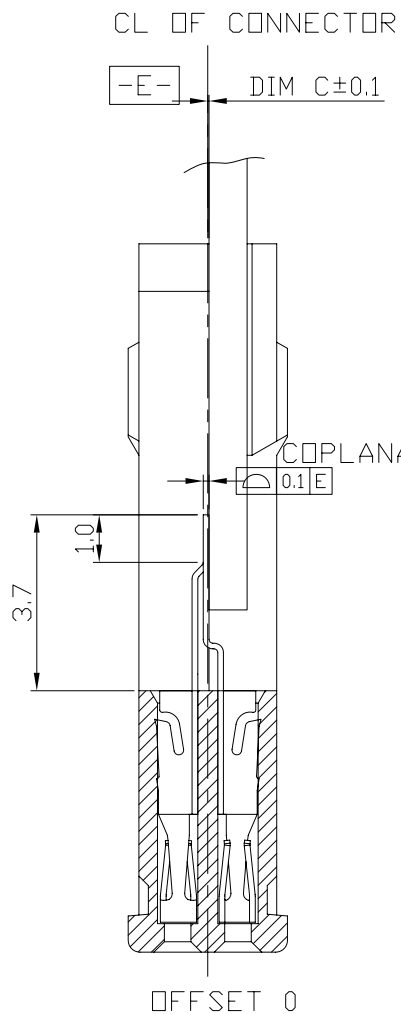

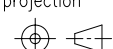


All rights strictly reserved. Reproduction or issue to third parties in any form whatever is not permitted without written authority from the proprietor. Property of FCI. Copyright FCI.

Tous droits strictement réservés. Reproduction ou communication à des tiers interdite sous quelque forme que ce soit sans autorisation écrite du propriétaire. Propriété de c FCI. Droits de reproduction FCI.

FCI



mat'l. code				tolerances unless otherwise specified			CUSTOMER COPY		 www.fciconnect.com	
ltr	ecn no	dr	date	linear	.X ± .3	projection	title			
H					.XX ± .13		68PIN PCMCIA RECEPTACLE ASS'Y			
				angles	.XXX ± .050		product family	PCMCIA	code	
				dr	0° ± 2'	← MM →	size	dwg no	sheet	
				enrg	KENNY TAI 12/17/02	scale	A3	10014744	2 of	
				chr	KENNY TAI 12/17/02	1:1				
				appd	PAUL WANG 12/17/02					
sheet index	revision sheet									

cage code
22526

ACAD

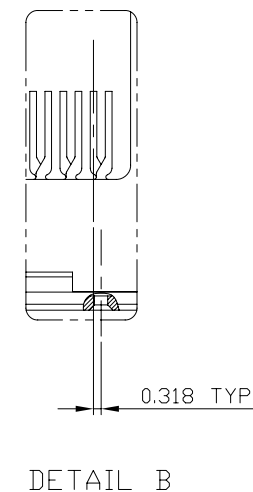
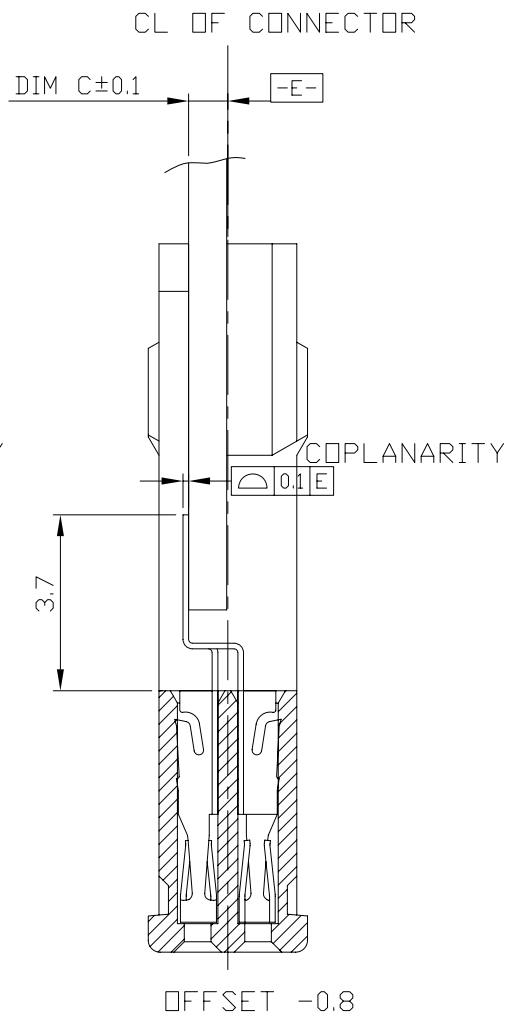
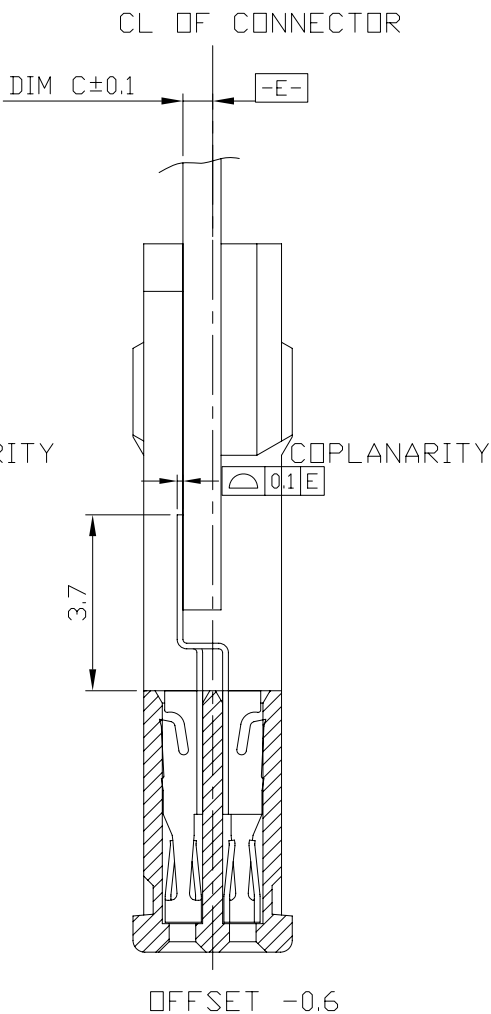
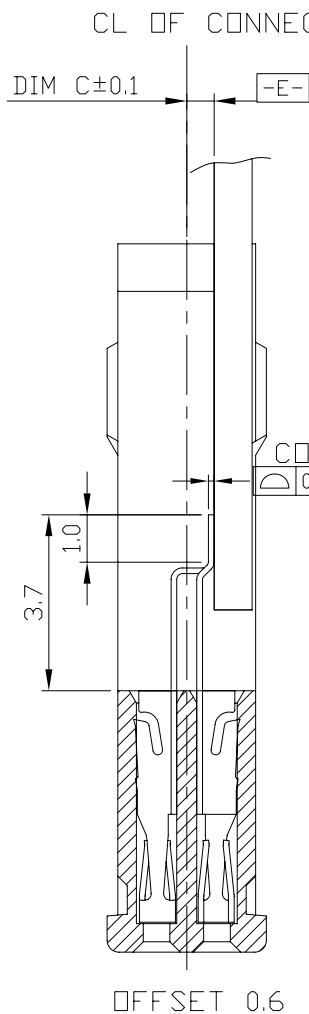
PDM: Rev:H

STATUS: Released

Printed: Jun 07, 2008

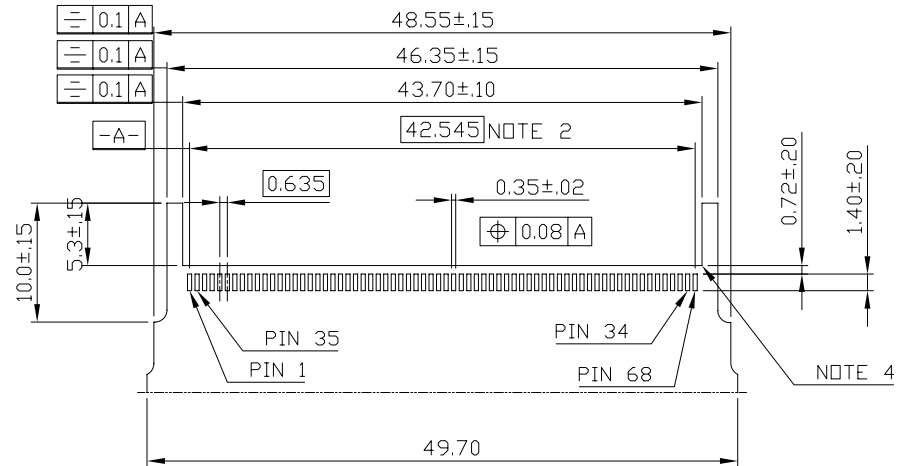
All rights strictly reserved. Reproduction or issue to third parties in any form whatever is not permitted without written authority from the proprietor. Property of FCI. Copyright FCI.

Tous droits strictement réservés. Reproduction ou communication à des tiers interdite sous quelque forme que ce soit sans autorisation écrite du propriétaire. Propriété de c FCI. Droits de reproduction FCI.



mat'l. code				tolerances unless otherwise specified			CUSTOMER COPY	 www.fciconnect.com	
ltr	ecn no	dr	date	linear	.X ±.3				
H					.XX ±.13			68PIN PCMCIA RECEPTACLE ASS'Y	
				angles	.XXX ±.050				
				dr	KENNY TAI	12/17/02	MM	code	
				enrg	KENNY TAI	12/17/02			1:1
				chr	KENNY TAI	12/17/02	A3	size	
				appd	PAUL WANG	12/17/02			10014744
sheet index	revision sheet							3 of	

cage code 22526



RECOMMENDED P.C.B. LAYOUT

NOTE:

- MATERIAL:
CONTACT: PHBR 0.12t
HOUSING: LCP UL94V-0 (BLACK COLOR: -XXX; NATURAL COLOR: -NXX)
- FINISH:
CONTACT: ALL OVER--- Ni UNDER 0.5 MICRON THK.
CONTACT AREA--- Au or GXT 0.38 MICRON THK.
- SOLDER TAIL---TIN LEAD 2.5 MICRON THK.
- MAXIMUM PCB BOW ON THIS DIMENSION IS 0.1mm.
- PACKING SPEC. REFER TO GS-14-723.
- ELIMINATE THE CORNER TO PREVENT INTERFERENCE WITH SOLDER TAIL.
- XXX (-NXX) USE STD. PACKAGE, 1872 PCS / CARTON;
-XXXT (-NXXT) USE TAPE AND REEL, 750 PCS / REEL;
-XXXX (-NXXX) USE STD. PACKAGE, 200 PCS / CARTON;
-XXXXA (-NXXXA) USE TAPE AND REEL, 600 PCS / REEL.
- NXX USE NATURAL COLOR HOUSING. EX. -N02 IS THE SAME WITH -002 EXCEPT NATURAL COLOR.
- XXXXLF IS LEAD FREE PLATING. SOLDER TAIL IS PLATED TIN 2.5 MICRON.
- PRODUCT SPEC. REFER TO GS-12-228.

mat'l. code				tolerances unless otherwise specified				CUSTOMER COPY		 www.fciconnect.com	
ltr	ecn no	dr	date	linear	.X ±.3			projection	title		
H					.XX ±.13				68PIN PCMCIA RECEPTACLE ASS'Y		
				angles	.XXX ±.050			 MM	product family		code
				dr	KENNY TAI	12/17/02	PCMCIA		-		
				enrg	KENNY TAI	12/17/02	scale	size		sheet	
				chr	KENNY TAI	12/17/02		10014744		4 of	
				appd	PAUL WANG	12/17/02	1:1		A3		
sheet index	revision sheet										

cage code 22526