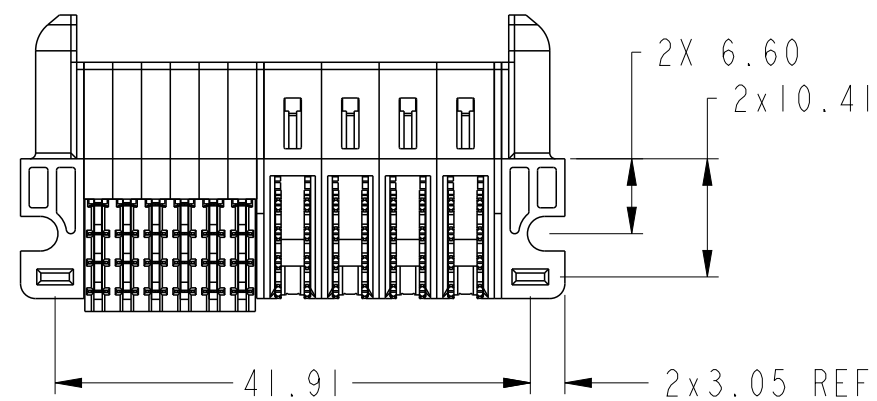
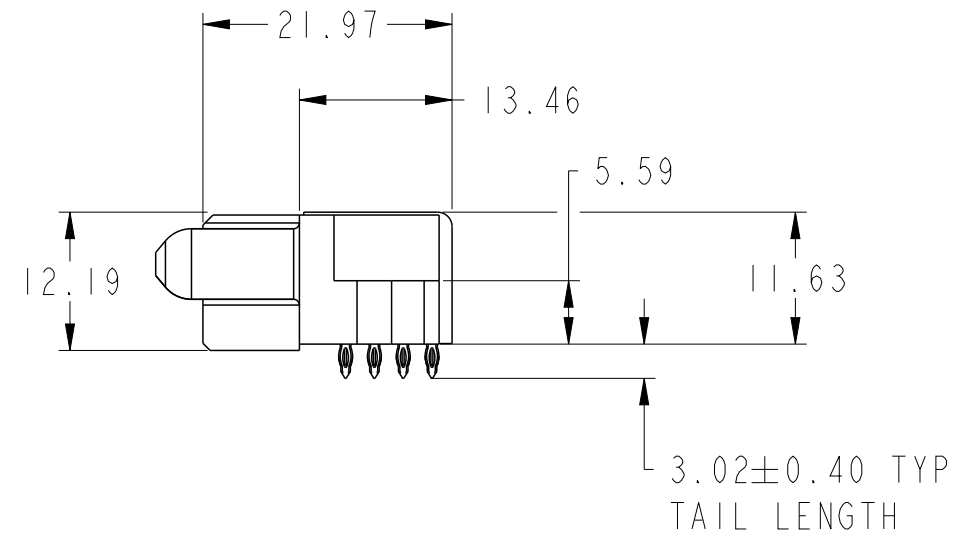
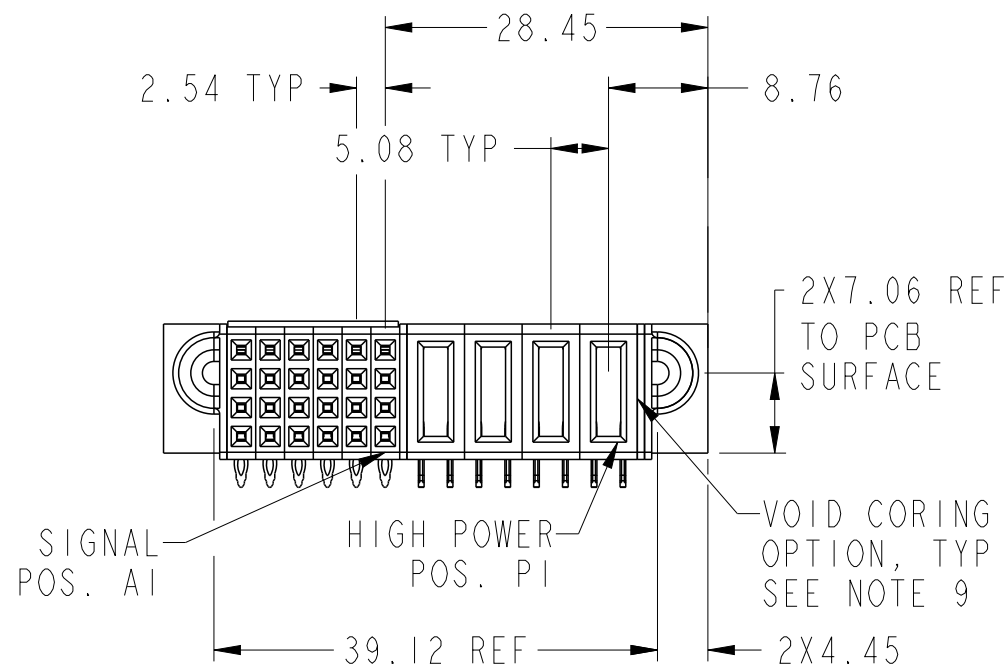
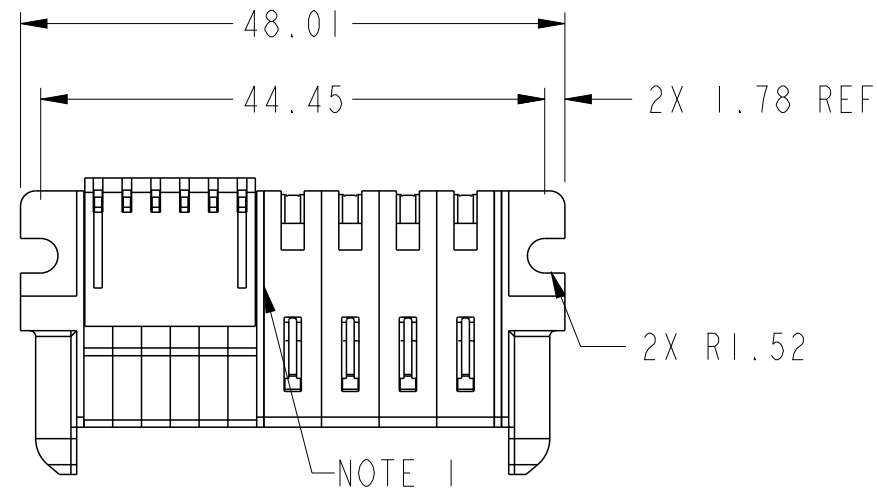


PRODUCT NUMBER SEE SHEET 2



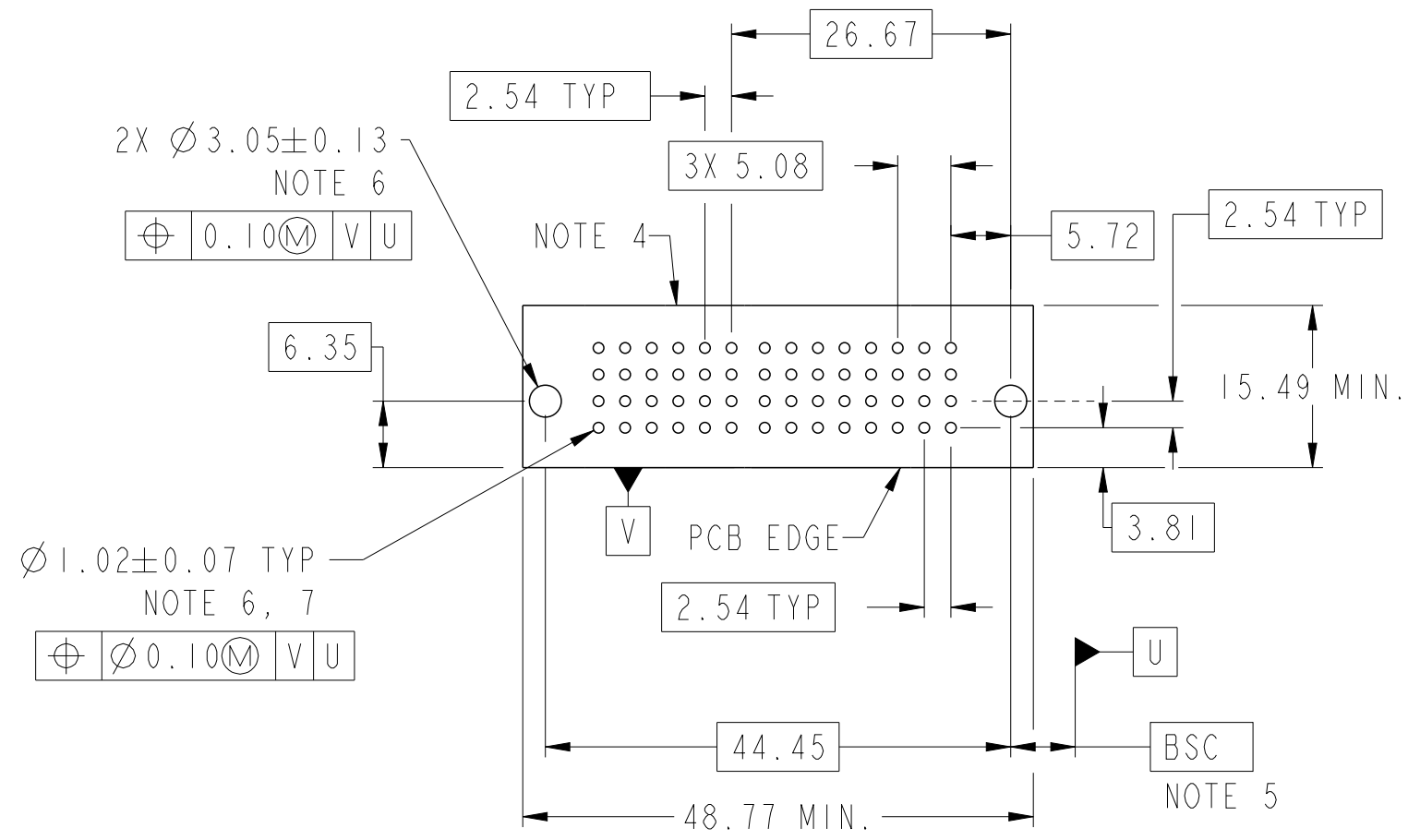
spec ref	dr	Eddy Zeng	2014/01/21	projection	MM	size	A3	scale	3:2
tolerance std	eng	Vicking Liu	2016/10/31			ecn no	ELX-DG-25195-1	rel level	Released
ISO 406 ISO 1101	chr	Fancy Zhang	2016/11/02						
surface	linear	0.X	±0.5		4HP + 24S RA RECEPTACLE PF	dwg no	10106135-4006001	rev	B
		0.XX	±0.25						
ISO 1302	angular	0°	±2°	cat. no.	Product - Customer Drw	sheet 1 of 3			

Amphenol
FCi

© 2016 AFCI

PRODUCT NO.	ROWS	SIGNAL					HIGH POWER				E2
		E1	6	5	4	3	2	1	P4	P3	
10106135-4006001LF	D C B A	S	S	S	S	S	S	H7	H7	H7	H7

CODE	DESCRIPTION
H7	STD HIGH POWER CONTACT(3.02)
N	STD SIGNAL CONTACT, ROW A
P	STD SIGNAL CONTACT, ROW B
R	STD SIGNAL CONTACT, ROW C
S	STD SIGNAL CONTACT, ROW D



Amphenol
FCi

© 2016 AFci

spec ref	dr	Eddy Zeng	2014/01/21	projection	MM	size	A3	scale	3:2
tolerance std	eng	Vicking Liu	2016/10/31			ecn no	ELX-DG-25195-1	rel level	Released
ISO 406 ISO 1101	chr	Fancy Zhang	2016/11/02						
surface	linear	0.X	±0.5		4HP + 24S RA RECEPTACLE PF	dwg no	10106135-4006001	rev	B
		0.XX	±0.25						
ISO 1302	angular	0°	±2°	cat. no.	Product - Customer Drw	sheet 2 of 3			

NOTES:

- 1) PRODUCT MARK:
PART NUMBER AND DATE CODE TO BE MARKED ON THIS SURFACE .
THE MARK CAN BE OMITTED IF THERE IS NOT ENOUGH SPACE ON THIS SURFACE.
- 2) MATERIALS:
-HOUSING : HIGH TEMP THERMOPLASTIC WITH GLASS FIBER, UL94V-0, BLACK.
-POWER CONTACT : HIGH CONDUCTIVITY COPPER ALLOY.
-SIGNAL CONTACT : COPPER ALLOY.
- 3) PLATING SPECIFICATION : 10116351
- 4) DENOTES CONNECTOR KEEP OUT ZONE.
- 5) DATUM AND BASIC DIMENIONS ARE ESTABLISHED BY CUSTOMER.
- 6) ALL HOLE DIAMETERS ARE FINISHED HOLE SIZES.
- 7) 1.15+/-0.025MM DRILLED HOLE PLATED WITH 0.00762MM MIN SN
OVER 0.0254-0.0762MM CU PLATING TO ACHIEVE A 1.02+/-0.07MM HOLE.
- 8) THIS PRODUCT MEETS EUROPEAN UNION DIRECTIVES AND OTHER COUNTRY REGULATIONS AS DESCRIBED IN GS-47-0004.
- 9) THE VOID CORING IN BETWEEN POWER MODULES, SIGNAL MODULES AND END MODULES ARE OPTIONAL AND THE SHAPE MAY BE DIFFERENT FOR OPTIMIZE THE MOLDING PROCESS. THE VOID CORING WILL NOT EFFECT TO PRODUCT FUNCTION.
- 10) PRODUCT SPECIFICATION : GS-12-658.
APPLICATION SPECIFICATION : GS-20-141.
PRODUCT PACKAGE SPECIFICATION: GS-14-1502.

Amphenol
FCi

© 2016 AFCi

spec ref		dr	Eddy Zeng	2014/01/21	projection	MM	size	A3	scale	3:2		
tolerance std		eng	Vicking Liu	2016/10/31		← →	ecn no		ELX-DG-25195-1			
ISO 406 ISO 1101		chr	Fancy Zhang	2016/11/02			product family		PwrBlade+		rel level	
surface		appr	Pei-Ming Zheng	2016/11/02	4HP + 24S		dwg no		10106135-4006001		rev	B
ISO 1302		TOLERANCES UNLESS OTHERWISE SPECIFIED		RA RECEPTACLE PF		cat. no.		Product - Customer Drw		sheet 3 of 3		
linear	0.X	±0.5										
	0.XX	±0.25										
	0.XXX	±0.10										
angular	0°	±2°										