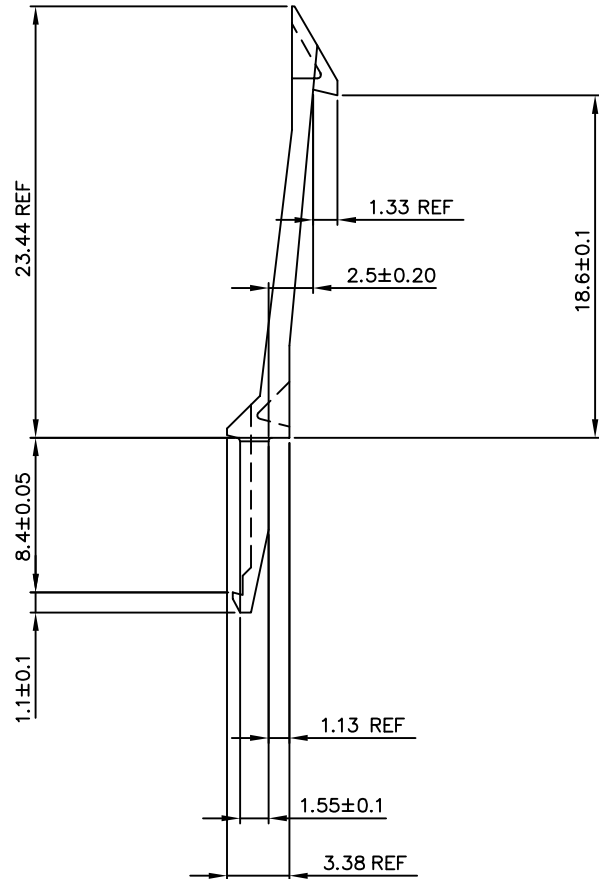
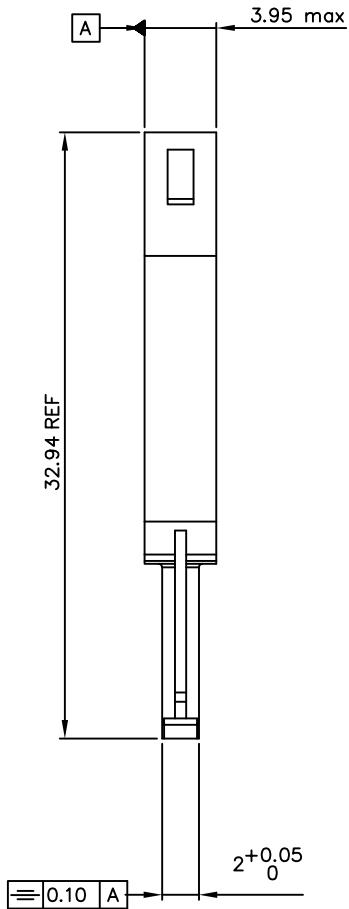
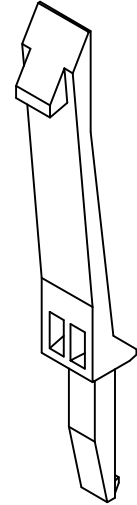
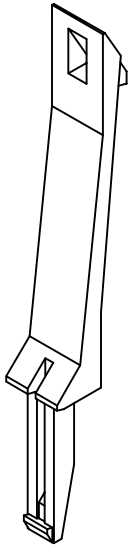


Partnumber:
85991-001LF



- NOTES:
1. Material: Glass filled thermoplastic, color black, UL 94 V-0
 2. THIS PRODUCT WITH "LF" SUFFIX MEETS EUROPEAN UNION DIRECTIVES AND OTHER COUNTRY REGULATIONS AS DESCRIBED IN GS -22-008.
 3. THE PRODUCT IS NOT INTENDED TO BE EXPOSED TO A MANUFACTURING SOLDER PROCESS.

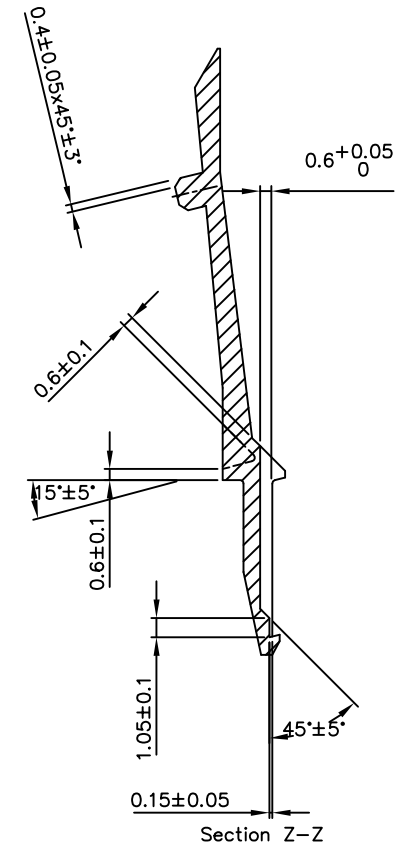
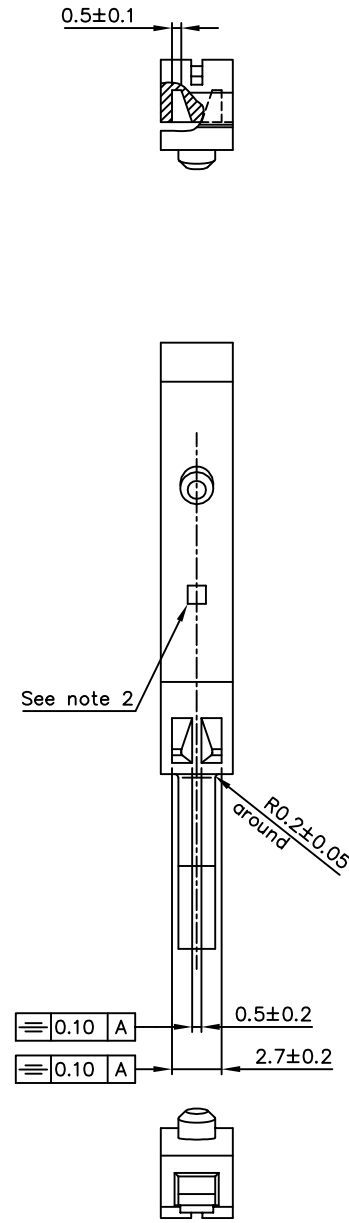
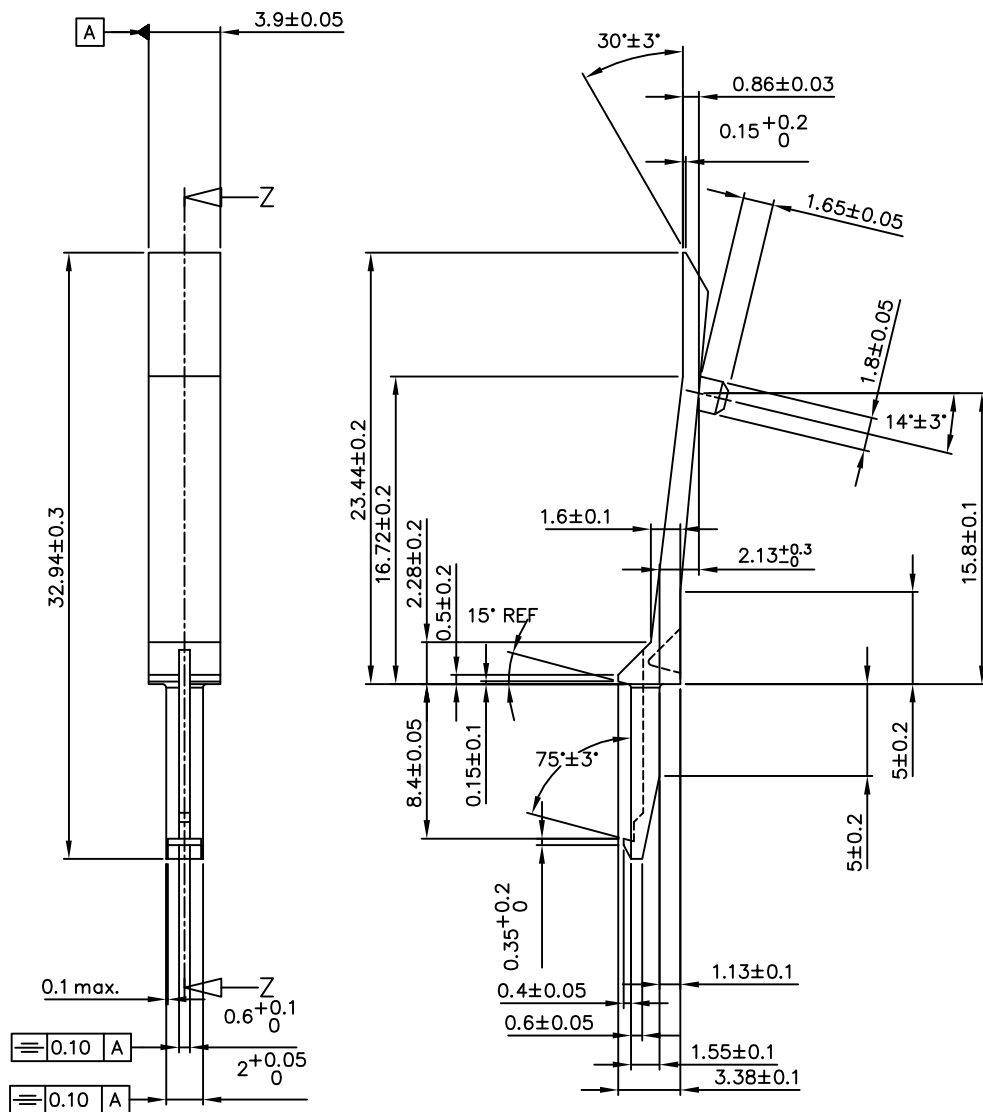
mat'l. code See note 1		tolerances unless otherwise specified		CUSTOMER COPY		ELECTRONICS www.fciconnect.com	
ltr	ecn no	dr	date	linear	projection	title 4 mm LATCH	
A	H70123	VWO	970221			EMI shielded cable connector	
B	H70802	VWO	971201			product family	Metral(tm)
C	005-040	CLU	051021	angles	mm	size	dwg no 85991
		dr	H v Woensei	970221	scale	A2	sheet 1 of 2
		eng	H v Woensei	970221	5:1		
		chr	H Coolmans	970221			
		app	H v Woensei	970221			
sheet	revision	c	c				
Index	sheet	1	2				

PDM: Rev.C

STATUS: Released

Printed: Jul 29, 2010

Partnumber:
85991-002LF



- NOTES:
- 1 Material: Ultem 1010, color: black.
 2. Cavity number in approximate area shown, may protrude 0.15 mm max. above surface.
 3. All dimensions starting in a radius, to be sharp measured.

mat'l. code 16-409-001		tolerances unless otherwise specified		INSPECTION COPY		ELECTRONICS www.fciconnect.com	
ltr	ecn no	dr	date	linear	projection	title 4 mm LATCH	
d				angles	mm	EMI shielded cable connector	
		dr	H v Woensel	971201		product family	Metral(tm)
		eng	H v Woensel	971201	scale	code	210
		chr	P Schalk	971201	5:1	sheet	2 of-
		app	H v Woensel	971201		size	dwg no
sheet	revision					A2	85991
Indx	sheet						