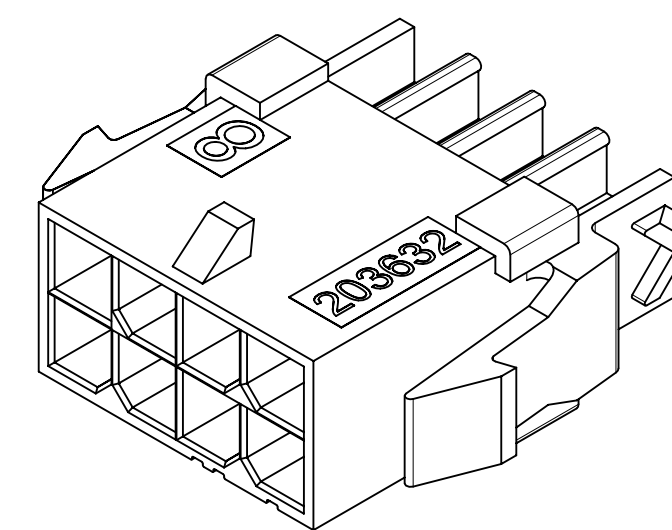
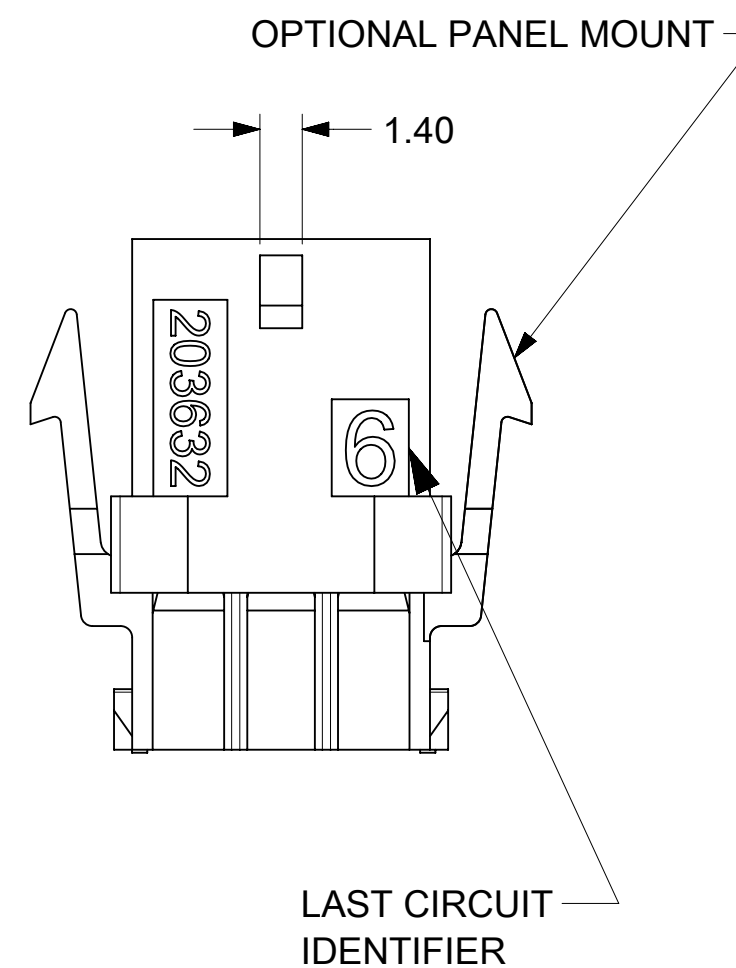
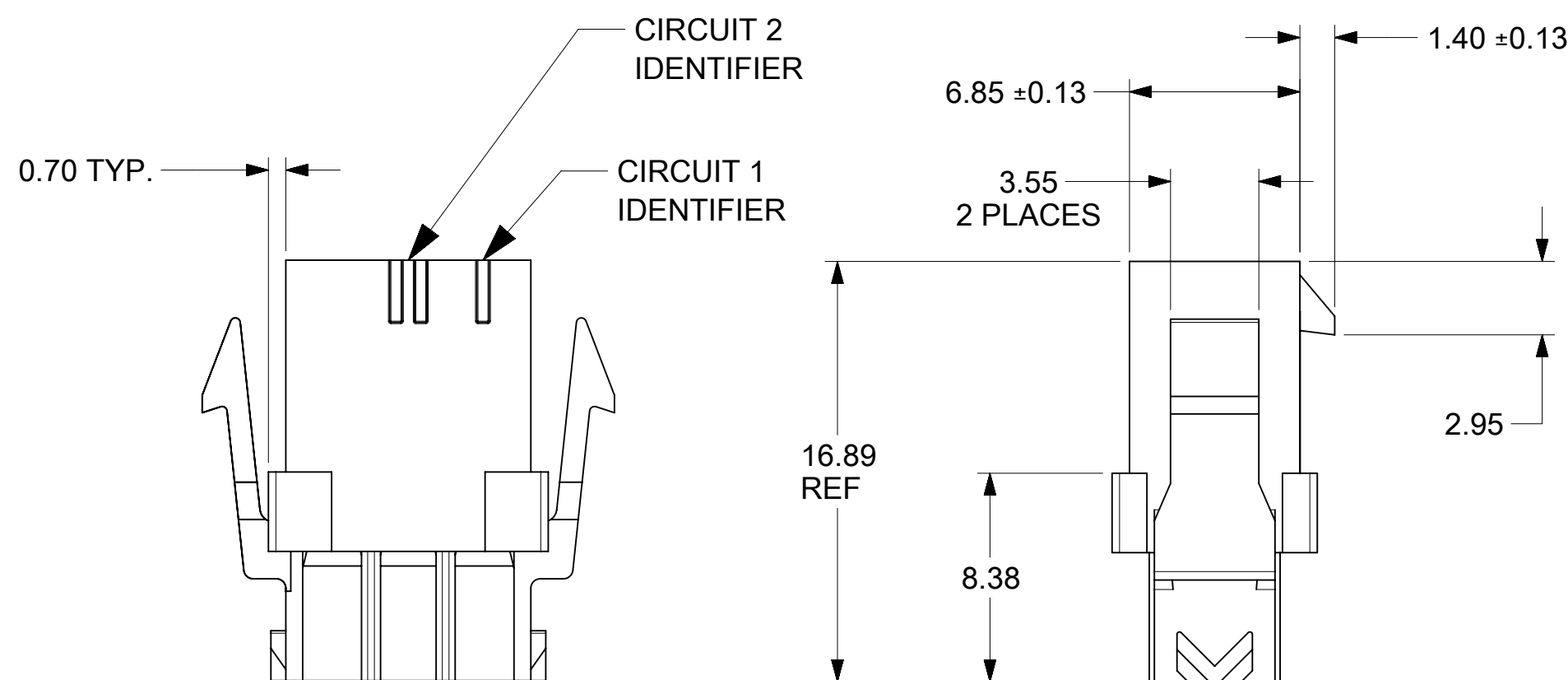


RECOMMENDED PANEL CUTOUT

SEE NOTES 7 AND 9



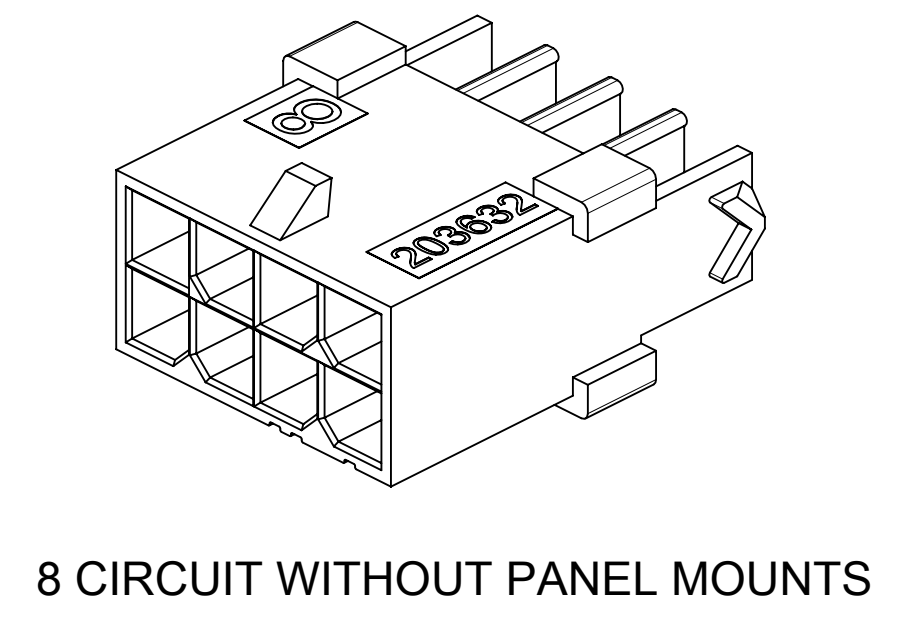
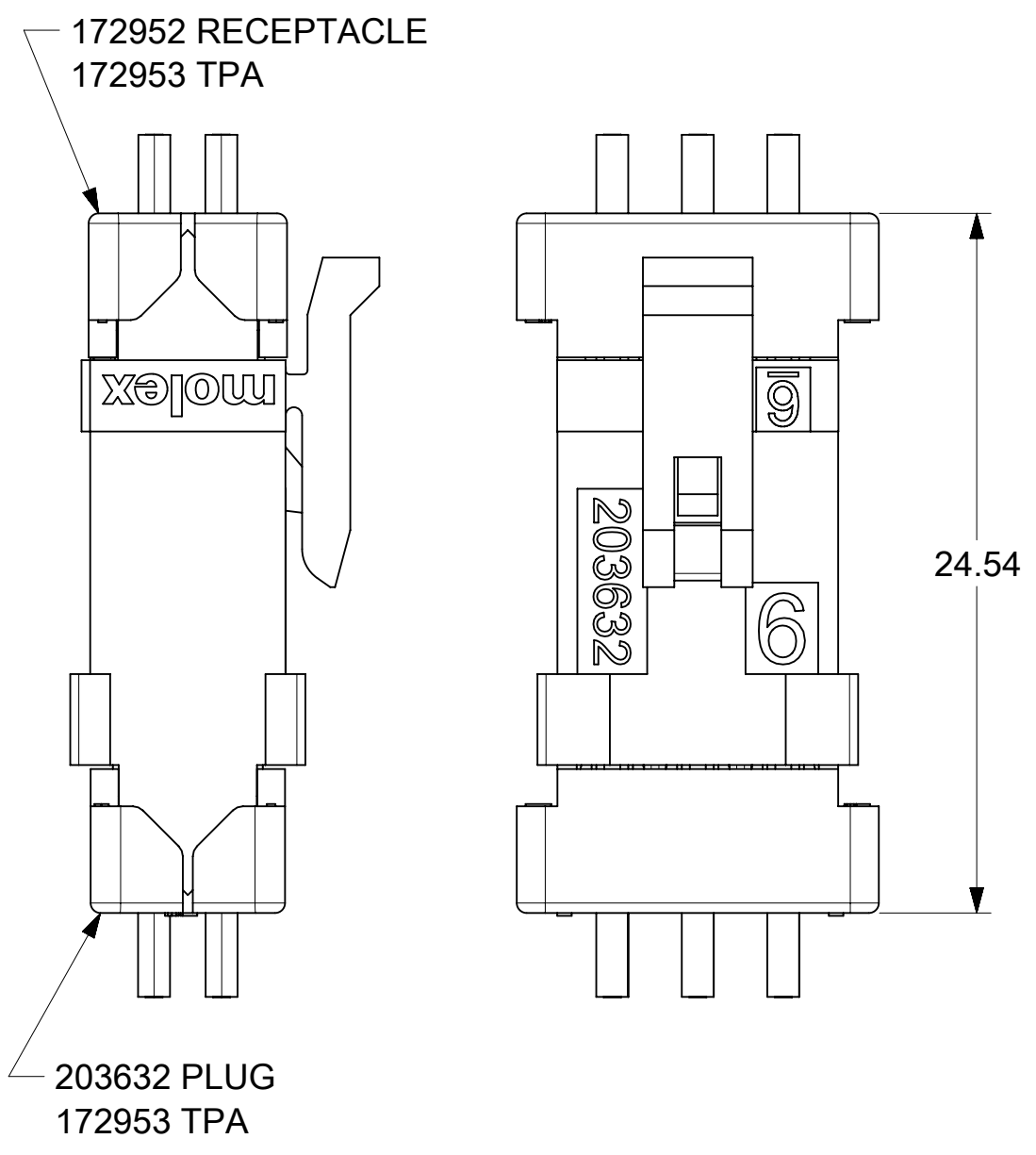
8 CIRCUIT WITH PANEL MOUNTS

NOTES:

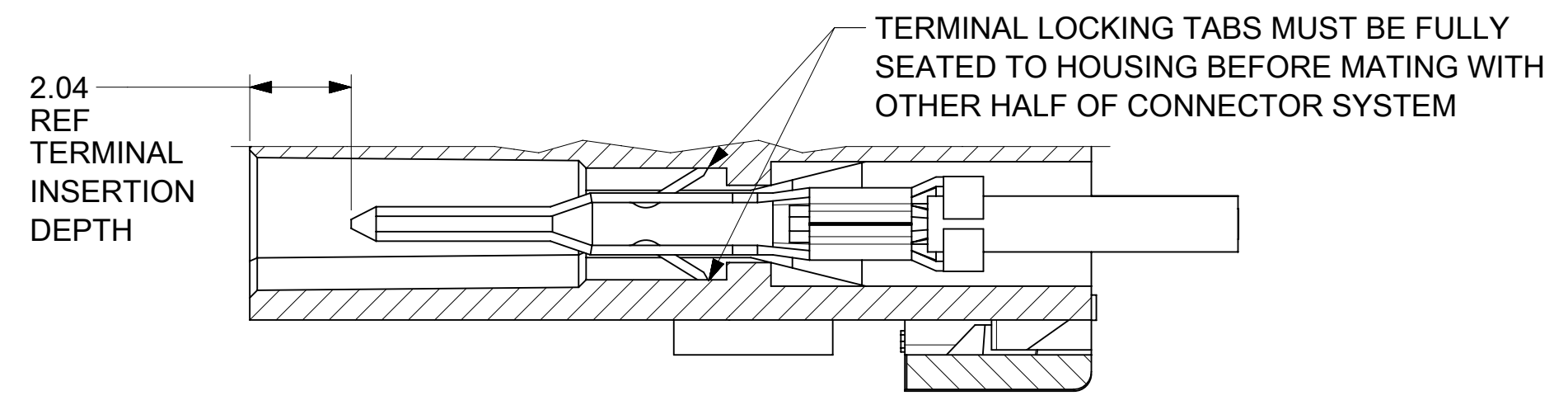
- 1) HOUSING MATERIAL:  
UNFILLED NYLON, RATED UL94V-2, IEC60335-1 GLOW WIRE CAPABLE, COLOR-BLACK
- 2) FINISH: N/A
- 3) PRODUCT SPECIFICATION: PS-43045
- 4) PACKAGING SPECIFICATION: 2036320000-PK
- 5) THIS HOUSING MATES WITH MICRO-FIT 172952 TPA RECEPTACLE OR 43025 STANDARD RECEPTACLE.
- 6) THIS HOUSING TO BE USED WITH MOLEX MALE TERMINAL 43031-5\*\*\*
- 7) DESIGNED FOR 1.40 MINIMUM TO A 2.54 MAXIMUM THICK PANEL OR PRINTED CIRCUIT BOARD.
- 8) SEE SECTION "F"- "F" FOR TERMINAL ORIENTATION IN HOUSING.  
TERMINALS IN LOWER ROW ARE INSERTED 180° FROM THE UPPER ROW.
- 9) PANEL MOUNT FEATURES MUST LOCK ON SIDE OPPOSITE PUNCH SIDE FOR OPTIMUM RETENTION.
- 10) PART CONFORMS TO CLASS 'B' REQUIREMENTS OF COSMETIC SPECIFICATION PS-45499-002, WITH THE EXCEPTION THAT FLASH, DISCOLORATION, AND SINK MEET CLASS 'C' REQUIREMENTS.
- 11) HOUSING MAY HAVE DISCOLORATION AREAS THAT DO NOT AFFECT FUNCTIONALITY. DISCOLORATION AREAS MAY EXTEND ACROSS THE ENTIRE LENGTH OF THE FACES OF THE PART.
- 12) TEXT ON PART IS FOR REFERENCE ONLY. TEXT AND TEXT LOCATION MAY VARY DEPENDING ON PART NUMBER AND/OR TOOLING.
- 13) HOUSING DESIGNED FOR USE WITH 172953-xx02 TPA. NEVER USE WITHOUT TPA.
- 14) INTENDED FOR USE WITH 20-30 AWG WIRES ONLY

|  |  |       |  |                               |  |        |  |                 |  |   |  |              |  |                 |  |  |  |          |  |          |  |          |  |
|--|--|-------|--|-------------------------------|--|--------|--|-----------------|--|---|--|--------------|--|-----------------|--|--|--|----------|--|----------|--|----------|--|
| FUNCTIONAL SYMBOLS                                   |  |       |  |                               |  |        |  |                 |  | THIS DRAWING CONTAINS INFORMATION THAT IS PROPRIETARY TO MOLEX ELECTRONIC TECHNOLOGIES, LLC AND SHOULD NOT BE USED WITHOUT WRITTEN PERMISSION |  |              |  |                 |  |  |  |          |  |          |  |          |  |
| DIMENSION UNITS                                      |  | SCALE |  | CURRENT REV DESC: ADD NOTE 14 |  |        |  |                 |  |   |  |              |  |                 |  |  |  |          |  |          |  |          |  |
| mm   |  | 4:1   |  | EC NO: 723726                 |  |        |  |                 |  |   |  |              |  |                 |  |  |  |          |  |          |  |          |  |
| GENERAL TOLERANCES (UNLESS SPECIFIED)                |  |       |  | DRWN: MKIPPER 2022/02/25      |  |        |  |                 |  |   |  |              |  |                 |  |  |  |          |  |          |  |          |  |
| ANGULAR TOL ± 0.5°                                   |  |       |  | CHK'D: MKIPPER 2022/10/12     |  |        |  |                 |  |   |  |              |  |                 |  |  |  |          |  |          |  |          |  |
| 4 PLACES ±   |  |       |  | APPR: FSMITH 2022/10/13       |  |        |  |                 |  |   |  |              |  |                 |  |  |  |          |  |          |  |          |  |
| DIVISIONAL SYMBOLS                                   |  |       |  | INITIAL REVISION:             |  |        |  |                 |  |   |  |              |  |                 |  |  |  |          |  |          |  |          |  |
| 3 PLACES ±   |  |       |  | DRWN: MKIPPER 2017/06/09      |  |        |  |                 |  |   |  |              |  |                 |  |  |  |          |  |          |  |          |  |
| 2 PLACES ± 0.25                                      |  |       |  | APPR: FSMITH 2017/07/20       |  |        |  |                 |  |   |  |              |  |                 |  |  |  |          |  |          |  |          |  |
| 1 PLACE ± 0.35                                       |  |       |  | THIRD ANGLE PROJECTION        |  |        |  |                 |  |   |  |              |  |                 |  |  |  |          |  |          |  |          |  |
| 0 PLACES ±   |  |       |  | DRAWING SERIES                |  |        |  |                 |  |   |  |              |  |                 |  |  |  |          |  |          |  |          |  |
| DRAFT WHERE APPLICABLE MUST REMAIN WITHIN DIMENSIONS |  |       |  | C-SIZE                        |  | 203632 |  | MATERIAL NUMBER |  | CUSTOMER  |  | SHEET NUMBER |  | DOCUMENT NUMBER |  |  |  | DOC TYPE |  | DOC PART |  | REVISION |  |
|  |  |       |  |                               |  |        |  | SEE CHART       |  | GENERAL MARKET  |  | 1 OF 2       |  | 2036320010-SD   |  |  |  | PSD      |  | 000      |  | A4       |  |

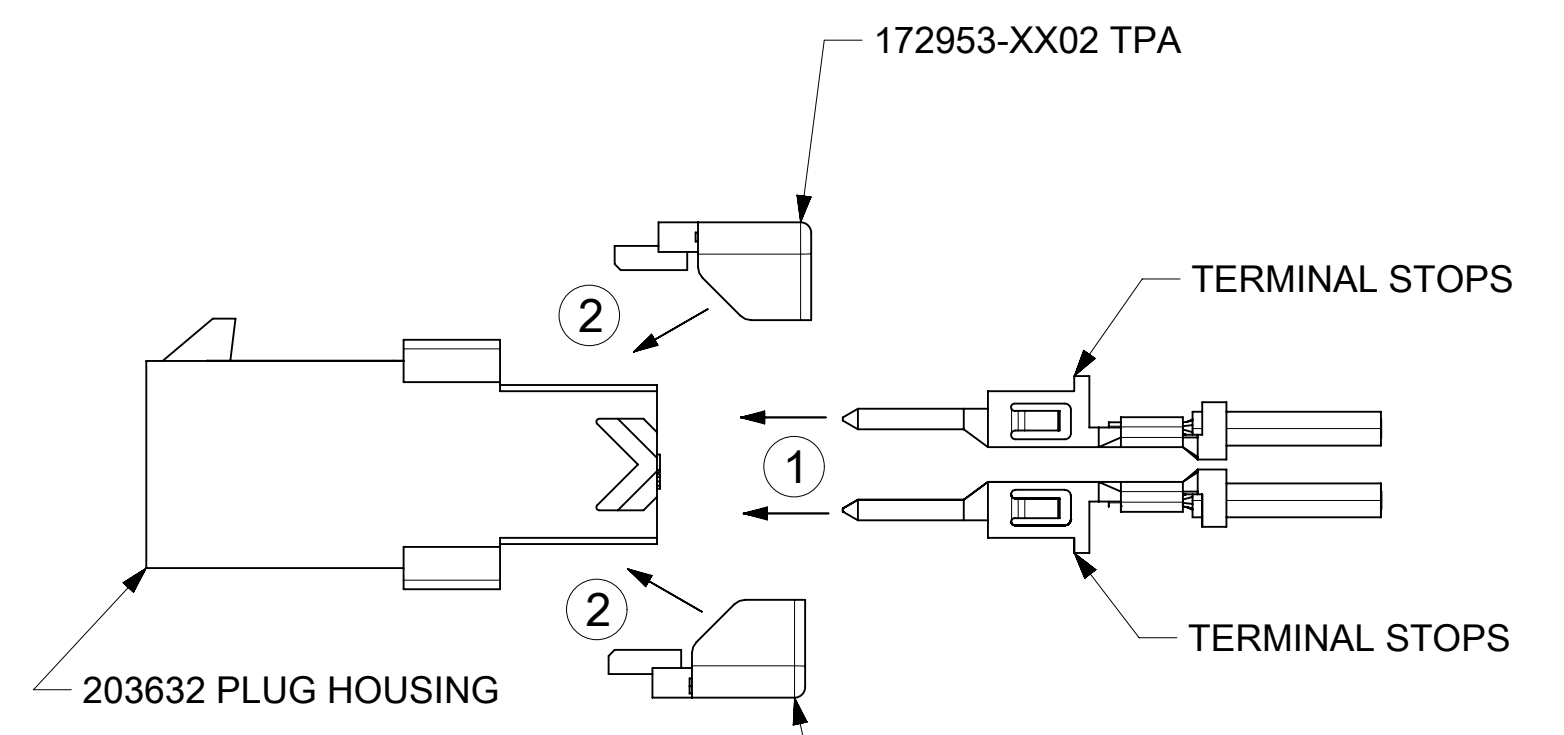
| PART NUMBER | PART CHARACTERISTICS |             |       |       |       |       |
|-------------|----------------------|-------------|-------|-------|-------|-------|
|             | NUMBER OF POSITION   | PANEL MOUNT | DIM A | DIM B | DIM C | DIM D |
| 2036320410  | 4                    | YES         | 6.85  | 3.00  | 7.21  | 10.89 |
| 2036320411  |                      | NO          |       |       |       |       |
| 2036320610  | 6                    | YES         | 9.85  | 6.00  | 10.21 | 13.89 |
| 2036320611  |                      | NO          |       |       |       |       |
| 2036320810  | 8                    | YES         | 12.85 | 9.00  | 13.21 | 16.89 |
| 2036320811  |                      | NO          |       |       |       |       |
| 2036321010  | 10                   | YES         | 15.85 | 12.00 | 16.21 | 19.89 |
| 2036321011  |                      | NO          |       |       |       |       |
| 2036321210  | 12                   | YES         | 18.85 | 15.00 | 19.21 | 22.89 |
| 2036321211  |                      | NO          |       |       |       |       |
| 2036321410  | 14                   | YES         | 21.85 | 18.00 | 22.21 | 25.89 |
| 2036321411  |                      | NO          |       |       |       |       |
| 2036321610  | 16                   | YES         | 24.85 | 21.00 | 25.21 | 28.89 |
| 2036321611  |                      | NO          |       |       |       |       |
| 2036321810  | 18                   | YES         | 27.85 | 24.00 | 28.21 | 31.89 |
| 2036321811  |                      | NO          |       |       |       |       |
| 2036322010  | 20                   | YES         | 30.85 | 27.00 | 31.21 | 34.89 |
| 2036322011  |                      | NO          |       |       |       |       |
| 2036322210  | 22                   | YES         | 33.85 | 30.00 | 34.21 | 37.89 |
| 2036322211  |                      | NO          |       |       |       |       |
| 2036322410  | 24                   | YES         | 36.85 | 33.00 | 37.21 | 40.89 |
| 2036322411  |                      | NO          |       |       |       |       |



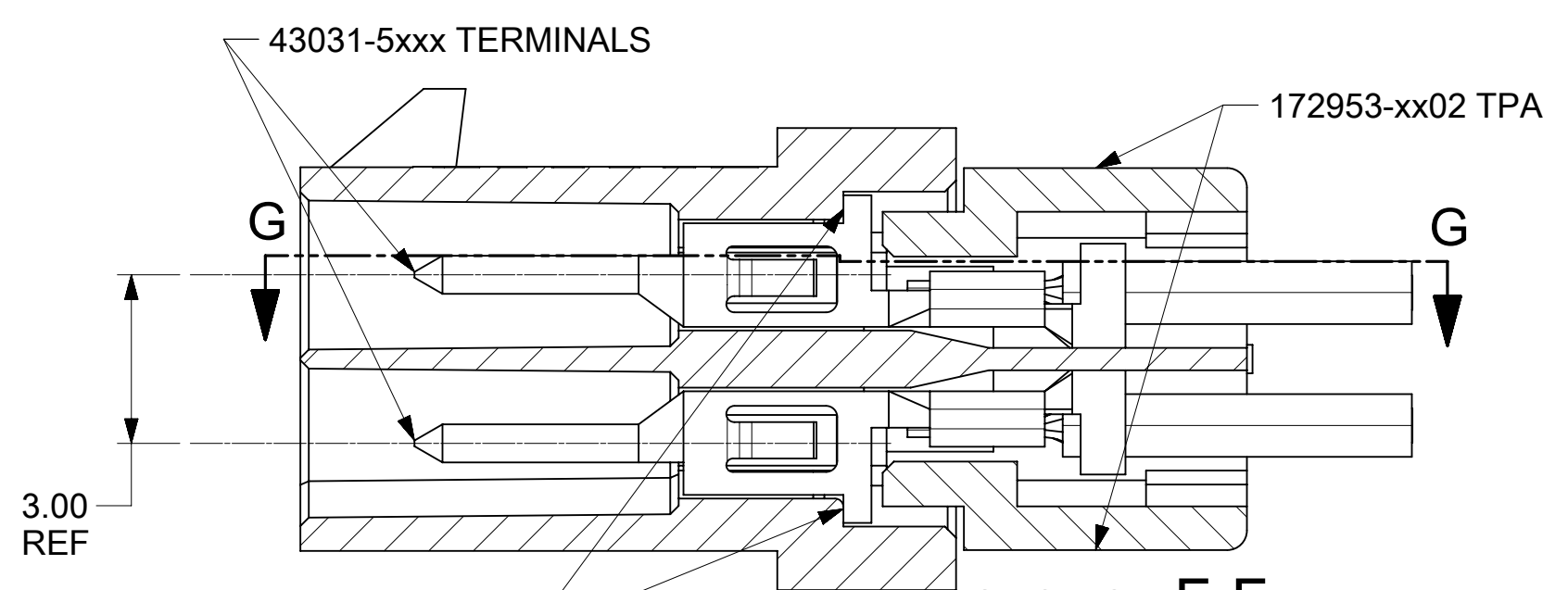
MATED MICRO-FIT CONNECTOR  
(WITH TPA INSTALLED)



SECTION G-G  
SCALE 8:1



TERMINAL AND TPA  
ORIENTATION AND ASSEMBLY



SECTION F-F  
SCALE 8:1  
(WITH TERMINALS AND TPA's)

NEVER USE WITHOUT TPA

|  |   |                        |                               |                 |                                |
|--|---|------------------------|-------------------------------|-----------------|--------------------------------|
| FUNCTIONAL SYMBOLS                                   | THIS DRAWING CONTAINS INFORMATION THAT IS PROPRIETARY TO MOLEX ELECTRONIC TECHNOLOGIES, LLC AND SHOULD NOT BE USED WITHOUT WRITTEN PERMISSION |                        | CURRENT REV DESC: ADD NOTE 14 |                 |                                |
|  | DIMENSION UNITS   | SCALE                  |                               |                 |                                |
| $F_A = 0$  | mm  | 4:1                    |                               |                 |                                |
| $F_C = 0$  | GENERAL TOLERANCES (UNLESS SPECIFIED)   |                        |                               |                 |                                |
| $F_P = 0$  | ANGULAR TOL $\pm 0.5^\circ$   |                        |                               |                 |                                |
| DIVISIONAL SYMBOLS                                   | 4 PLACES  | $\pm$                  | EC NO: 723726                 | 2022/02/25      |                                |
|  | 3 PLACES  | $\pm$                  | DRWN: MKIPPER                 | 2022/10/12      |                                |
|  | 2 PLACES  | $\pm 0.25$             | CHK'D: MKIPPER                | 2022/10/13      |                                |
|  | 1 PLACE   | $\pm 0.35$             | APPR: FSMITH                  |                 |                                |
|  | 0 PLACES  | $\pm$                  | INITIAL REVISION:             |                 |                                |
| DRAFT WHERE APPLICABLE MUST REMAIN WITHIN DIMENSIONS |   | THIRD ANGLE PROJECTION | DRAWING                       | SERIES          |                                |
|  |   |                        | C-SIZE                        | 203632          |                                |
| DOCUMENT STATUS                                      | P1  | RELEASE DATE           | 2022/10/13 13:32:56           |                 |                                |
|  |   |                        |                               | DOCUMENT NUMBER | DOC TYPE   DOC PART   REVISION |
|  |   |                        |                               | 2036320010-SD   | PSD   000   A4                 |
|  |   |                        |                               | MATERIAL NUMBER | CUSTOMER                       |
|  |   |                        |                               | SEE CHART       | GENERAL MARKET                 |
|  |   |                        |                               | SHEET NUMBER    |                                |
|  |   |                        |                               | 2 OF 2          |                                |



MICROFIT (3.0) TPA DUAL ROW PLUG HOUSING WITH OPTIONAL PANEL MOUNT (GLOW WIRE)

PRODUCT CUSTOMER DRAWING