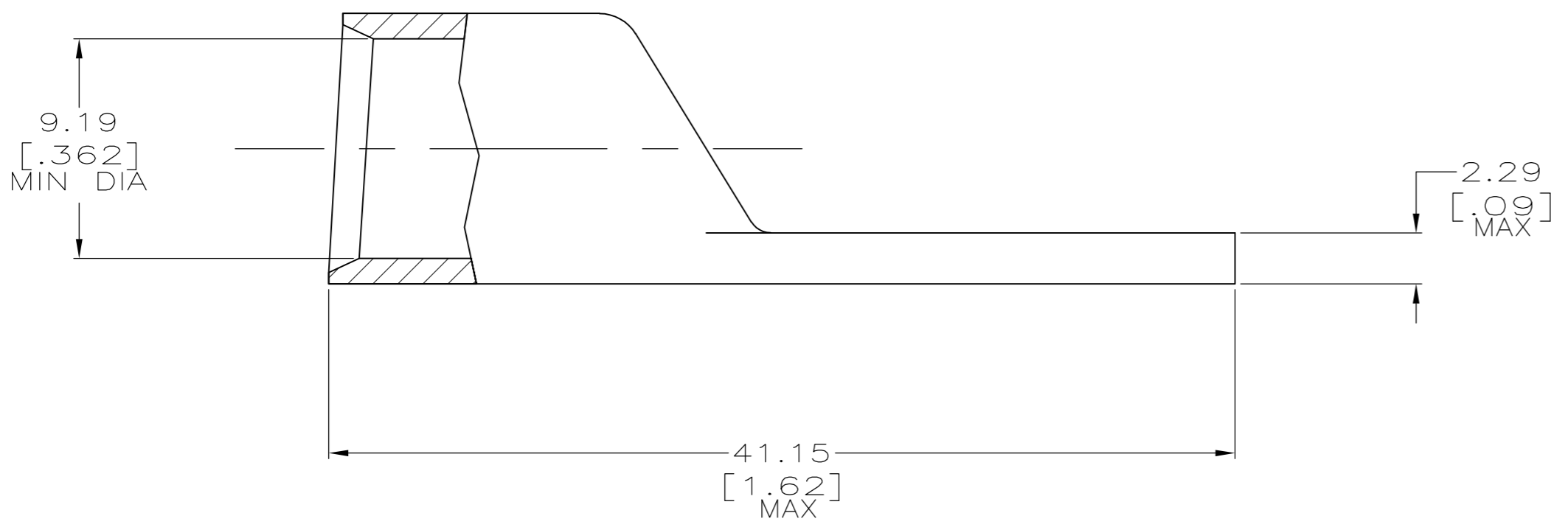
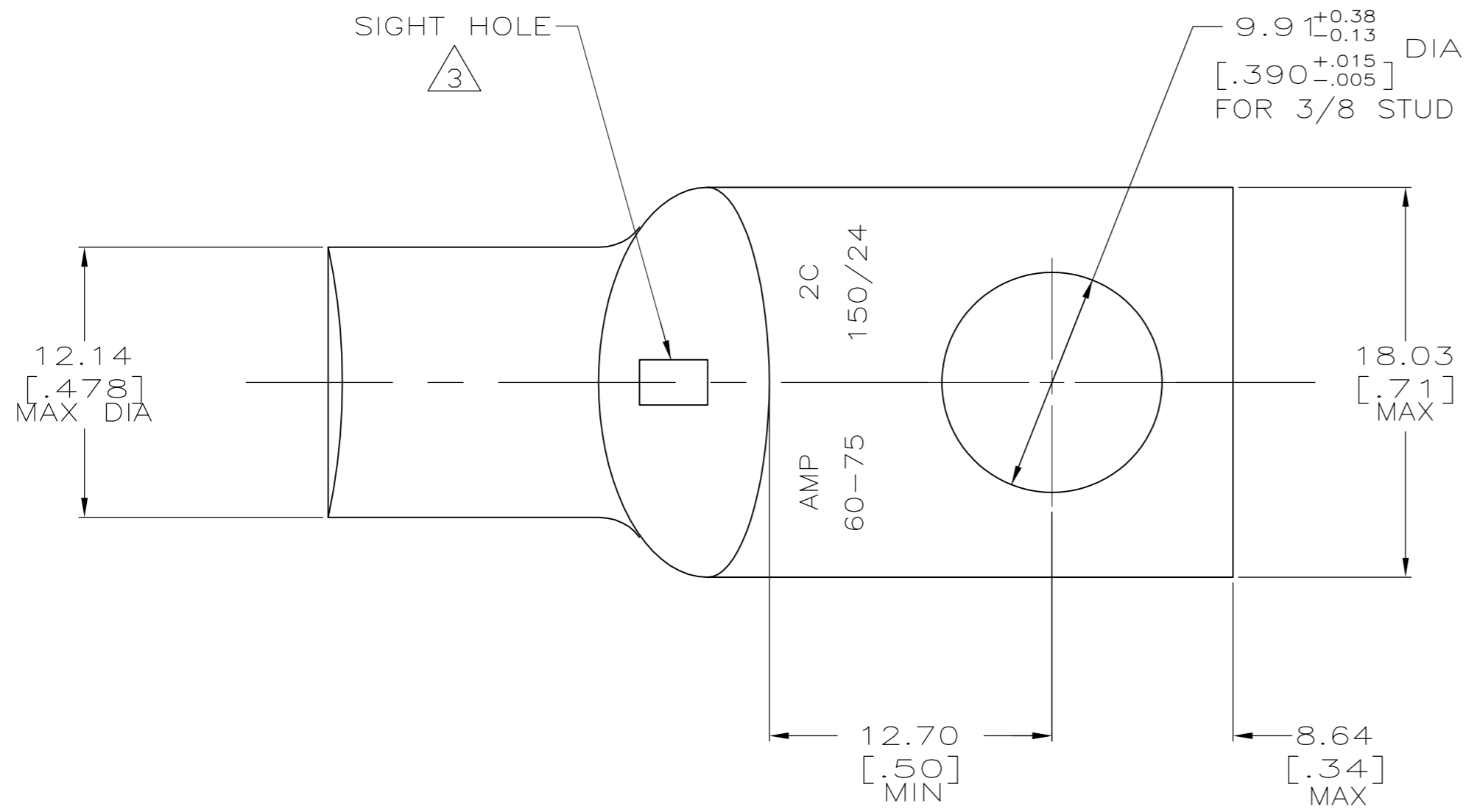


THIS DRAWING IS UNPUBLISHED. RELEASED FOR PUBLICATION
 © COPYRIGHT BY TYCO ELECTRONICS CORPORATION. ALL INTERNATIONAL RIGHTS RESERVED.

LOC	DIST	REVISIONS					
		P	LTR	DESCRIPTION	DATE	DWN	APVD
G	86						
		U1		REV PER ECR 09-016289	02SEPT09	JR	RL



- 1 CIRCULAR MIL AREA RANGE: 52,600-83,700 CM
- 2 TIN PL 0.00381[.000150] MIN THK PER ASTM B-545
- 3 SIGHT HOLE
- 4 PRELIMINARY - NOT FOR PRODUCTION

NONE	4 325203-3
REQUIRED	325203
3 SIGHT HOLE	PART NO.

THIS DRAWING IS A CONTROLLED DOCUMENT.		DWN DK SCHRUM 02/28/90	Tyco Electronics Corporation Harrisburg, PA 17105-3608	
DIMENSIONS: MM [INCHES]		CHK MS FEHER 18JAN95	NAME	
TOLERANCES UNLESS OTHERWISE SPECIFIED:		APVD WJ VOCKROTH 18JAN95	PRODUCT SPEC	
0 PLC ± -	1 PLC ± -	108-30200		
2 PLC ± 0.51[.020]	3 PLC ± -	APPLICATION SPEC		
4 PLC ± -	ANGLES ± -	-		
MATERIAL ANNEALED COPPER	FINISH - 2	WEIGHT .024 LB	SIZE A2	CAGE CODE 00779
CUSTOMER DRAWING		DRAWING NO C-325203		RESTRICTED TO -
		SCALE 4:1	SHEET 1 of 1	REV U1

325203