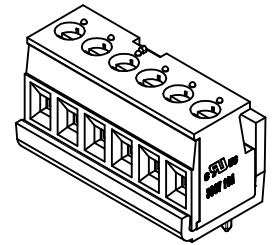
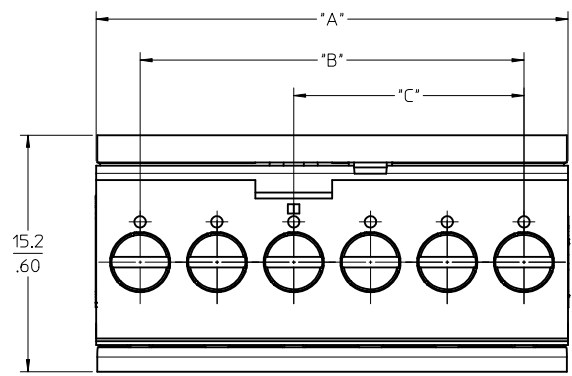
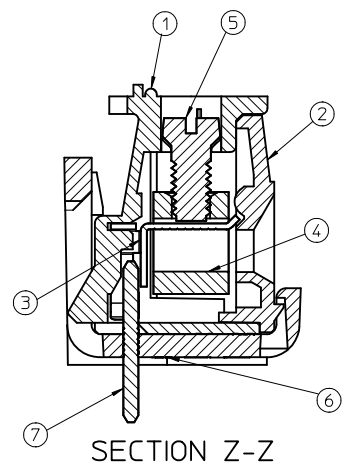


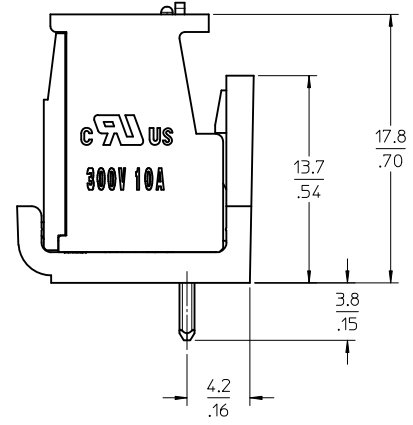
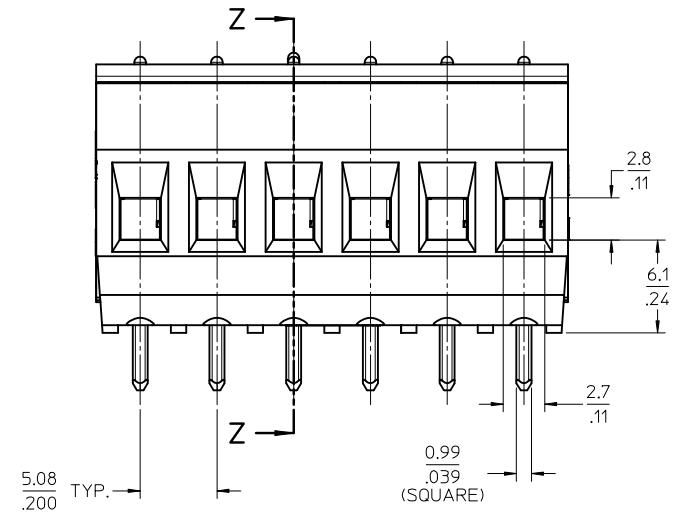
ASSEMBLY MATERIAL NUMBER	NUMBER OF CIRCUITS "XX"	DIM "A"		DIM "B"		DIM "C"	
		mm	in	mm	in	mm	in
399890009	07	36.3	1.43	30.5	1.20	15.2	.60
399890010	12	61.7	2.43	55.9	2.20	30.5	1.20
399890002	14	71.9	2.83	66.0	2.60	35.6	1.40
399890011	18	92.2	3.63	86.4	3.40	45.7	1.80
399890023	09	46.5	1.83	40.6	1.60	20.3	.80



AUX. VIEW
SCALE 2:1



SECTION Z-Z



- NOTES:
1. MATERIAL: SEE TABLE
 2. FINISHES: SEE TABLE
 3. HEADER MATERIAL CTI = 600V, PLC = 0
 4. "XX" REFERS TO THE QUANTITY OF CIRCUITS.
 5. ASSEMBLY IS ROHS COMPLIANT BY EXEMPTION. COMPONENTS MARKED WITH AN ASTERISK (*) ARE ROHS COMPLIANT BY EXEMPTION, ALL OTHERS ARE ROHS COMPLIANT.

ITEM	QTY.	DESCRIPTION	MATERIAL	FINISH
7	XX	PIN, HEADER	BRASS	TIN PLATE
6	1	BODY, 5.08mm HEADER, SINGLE ROW, SEE NOTE 3	NYLON 66, GLASS FILLED	BLACK
5	XX	SCREW, M3X0.5 CHS, SLOTTED	STEEL	ZN, CLEAR CHROMATE
4	XX	CAGE, RISING (*)	BRASS	NICKEL PLATE
3	XX	TERMINAL, PLUG	PHOS. BRONZE	HOT TIN DIP
2	1	COVER, 5.08mm PLUG, SINGLE ROW	NYLON 66, GLASS FILLED	BLACK
1	1	BODY, 5.08mm PLUG, SINGLE ROW	NYLON 66, GLASS FILLED	BLACK

ADD 9C P/N EC NO: MNA2011-0403 DRWR:RSTONE 2011/02/08 CHKD:D. TITUS 2011/02/11 APPR:DTITUS 2011/02/18	QUALITY SYMBOLS
	▽=0 ▽=0
	DESCRIPTION
	REV

GENERAL TOLERANCES (UNLESS SPECIFIED)	
	mm INCH
4 PLACES ±	--- ---
3 PLACES ±	--- ±.005
2 PLACES ±	0.13 ±.01
1 PLACE ±	0.25 ±---
ANGULAR ± 2°	
DRAFT WHERE APPLICABLE MUST REMAIN WITHIN DIMENSIONS	

DIMENSION STYLE	
MM/IN	
DRAWN BY	DATE
C. YORK	2007/08/03
CHECKED BY	DATE
J. MACNEIL	2007/08/03
APPROVED BY	DATE
J. MACNEIL	2007/08/03
MATERIAL NO.	
SEE CHART	
SIZE	
THIS DRAWING CONTAINS INFORMATION THAT IS PROPRIETARY TO MOLEX INCORPORATED AND SHOULD NOT BE USED WITHOUT WRITTEN PERMISSION	

SCALE	DESIGN UNITS	THIRD ANGLE PROJECTION
4:1	INCH	
TITLE		
5.08/200 SINGLE ROW PLUG AND HEADER ASSY, 2 PIECE PLUG HOUSING		
MOLEX INCORPORATED		
DOCUMENT NO.		SHEET NO.
SD-39989-011		1 OF 1