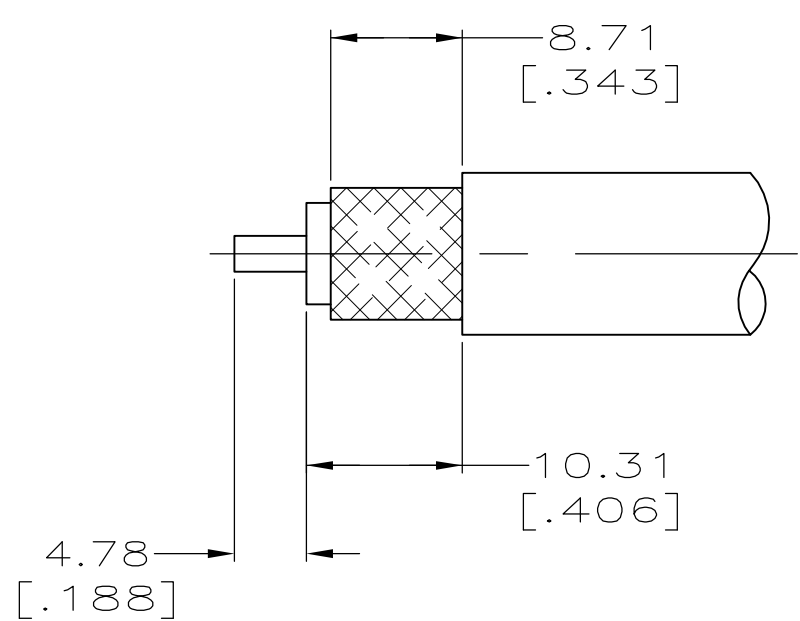


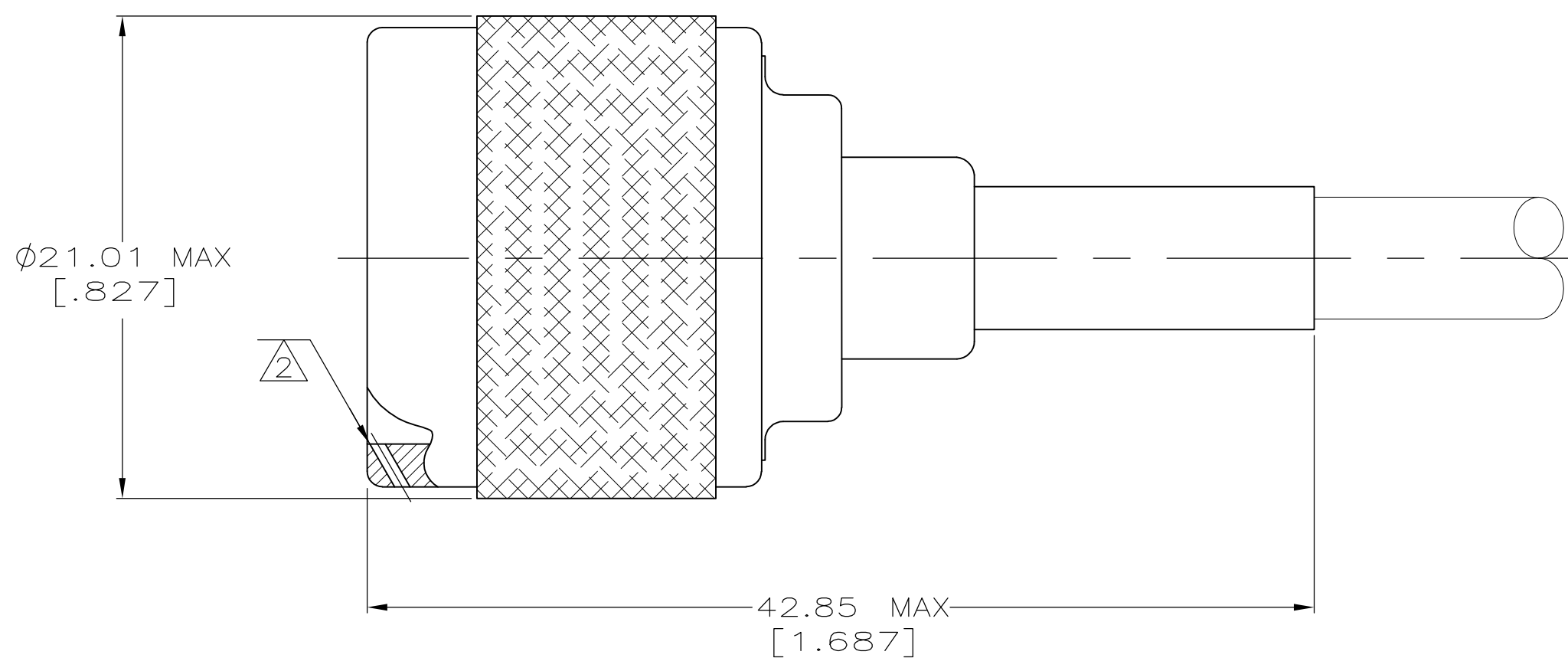
THIS DRAWING IS UNPUBLISHED. RELEASED FOR PUBLICATION  
 © COPYRIGHT BY TYCO ELECTRONICS CORPORATION. ALL RIGHTS RESERVED.

LOC	DIST	REVISIONS					
		P	LTR	DESCRIPTION	DATE	DWN	APVD
AJ	16		A	REV PER ECO 06-002539	06APR06	GB	JH
			A1	REVISED PER ECO-09-024606	31OCT09	KK	AEG

1. PARTS PACKAGED UNASSEMBLED.
2. THREE SAFETY WIRE HOLES  $\phi 0.61$  [.024] MIN, EQUALLY SPACED AROUND CIRCUMFERENCE.
3. CRIMP TOOL: 220045-2
4. SEE INSTRUCTION SHEET 408-2028-1
5. OBSOLETE PARTS: OBSOLETE CIS STREAMLINING PER D.RENAUD/D.SINISI



RECOMMENDED STRIP LENGTH  
(SCALE 2:1)



5 OBSOLETE	RG-142/U,142A/U & 142B/U	9-225382-1	225343-4	9-225342-0	5225361-4
	RG-55A/U & 223/U	9-225382-1	225343-2	9-225342-0	<del>5225361-2</del>
	RG-58A/U & 58C/U	9-225381-1	225343-2	9-225342-0	5225361-1
	CABLE SIZE	3 FERRULE QTY=1	2 CONTACT QTY=1	1 PLUG ASSY QTY=1	PART NUMBER

THIS DRAWING IS A CONTROLLED DOCUMENT.		DWN J. ALCORTA - DOCK5 22APR2005	Tyco Electronics Corporation Harrisburg, PA 17105-3608	
DIMENSIONS: mm [INCHES]		CHK J. HAVENER 22APR2005	NAME -	
TOLERANCES UNLESS OTHERWISE SPECIFIED:		APVD G. MICHAEL 22APR2005	PRODUCT SPEC -	
0 PLC ± -		APPLICATION SPEC -		
1 PLC ± -		SIZE A2		
2 PLC ± 0.41 [.016]		CAGE CODE 00779		
3 PLC ± -		DRAWING NO 5225361		
4 PLC ± -		RESTRICTED TO -		
ANGLES ± -		SCALE 4:1		
FINISH -		SHEET 1 of 1		
MATERIAL -		REV A1		
		WEIGHT 1.2 OZ MAX		
		CUSTOMER DRAWING		