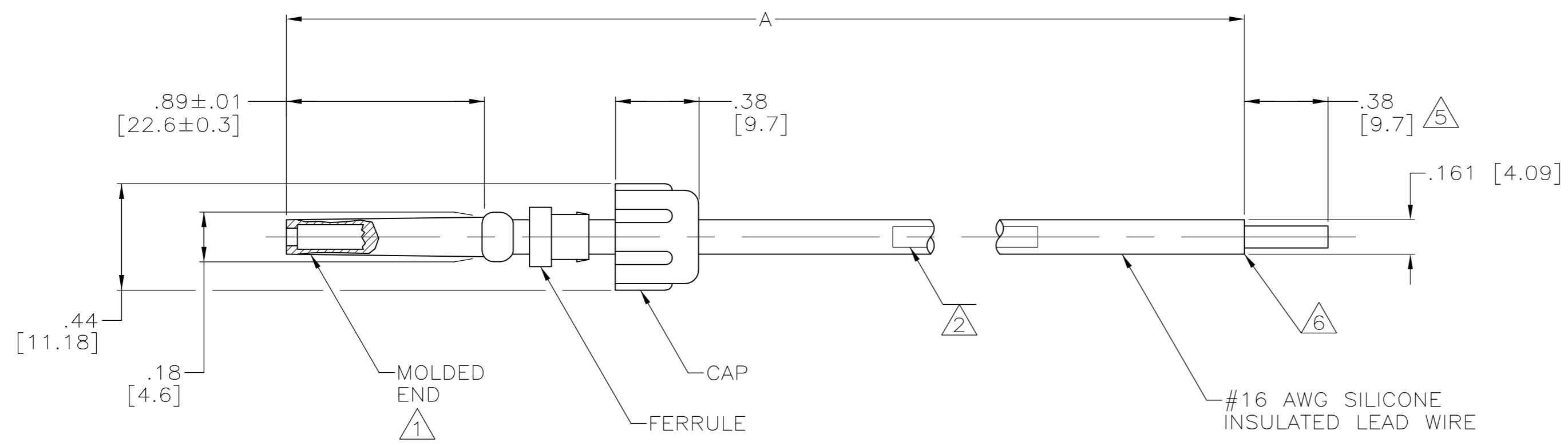


THIS DRAWING IS UNPUBLISHED. RELEASED FOR PUBLICATION - N/A .
 © COPYRIGHT N/A By - ALL RIGHTS RESERVED.

LOC		DIST		REVISIONS			
P	LTR	DESCRIPTION	DATE	DWN	APVD		
J		REV PER ECO 15-016686	11-23-15	CT	DM		

- △1 TO MATE WITH AMP LGH-1/2L RECEPTACLE WITH A .89 BARREL LENGTH.
- △2 MARKED PER MIL-STD-130.
- 3. OPERATING CONDITIONS: 15KVDC TO 70,000 FEET AT -55°C TO +125°C.
- 4. DIMENSIONS IN BRACKETS ARE IN MILLIMETERS. METRIC EQUIVALENTS ARE BASED UPON 1.00 inch = 25.4 mm.
- △5 PIGTAIL IS SOLDER DIPPED.
- △6 INSULATION CUT, BUT NOT REMOVED.



REMARKS	A	WIRE COLOR	PART NUMBER
	△6	36.00±.36 [914.4±9.2]	RED 5-867938-5
	△6	24.00 [609.6]	GREEN 5-867938-4
	△6	8.00 [203.2]	RED 5-867938-1
NOT RELEASED	△5	20.00 [508]	RED 1-867938-2
NOT RELEASED	△5	24.00 [609.6]	RED 1-867938-1
	△5	18.00 [457.2]	RED 1-867938-0
NOT RELEASED	△5	18.00 [457.2]	GREEN 867938-9
NOT RELEASED	△5	12.00 [304.8]	RED 867938-8
	△5	12.00 [304.8]	GREEN 867938-7
NOT RELEASED	△5	-	867938-6
	△5	36.00±.36 [914.4±9.2]	RED 867938-5
	△5	24.00 [609.6]	GREEN 867938-4
	△5	40.00±.40 [1016±10.2]	RED 867938-3
	△5	26.40±.26 [670.6±6.7]	RED 867938-2
	△5	8.00 [203.2]	RED 867938-1

THIS DRAWING IS A CONTROLLED DOCUMENT.		DWN T.SHUEY 18-AUG-89	TE TE Connectivity	
DIMENSIONS: INCHES [mm]		CHK G.SCHAFFER 05-SEP-89		
TOLERANCES UNLESS OTHERWISE SPECIFIED:		APVD W.SHATTO 05-SEP-89	NAME LEAD ASSY POSITIVE STOP LGH-1/2L	
0 PLC ± -	1 PLC ± -	PRODUCT SPEC	SIZE A2	CAGE CODE 00779
2 PLC ± .12 [3.0]	3 PLC ± .005 [0.13]	APPLICATION SPEC	DRAWING NO C=867938	RESTRICTED TO -
4 PLC ± -	ANGLES ± -	WEIGHT -	SCALE 2:1	SHEET 1 of 1
MATERIAL -	FINISH -	CUSTOMER DRAWING	REV J	

867938