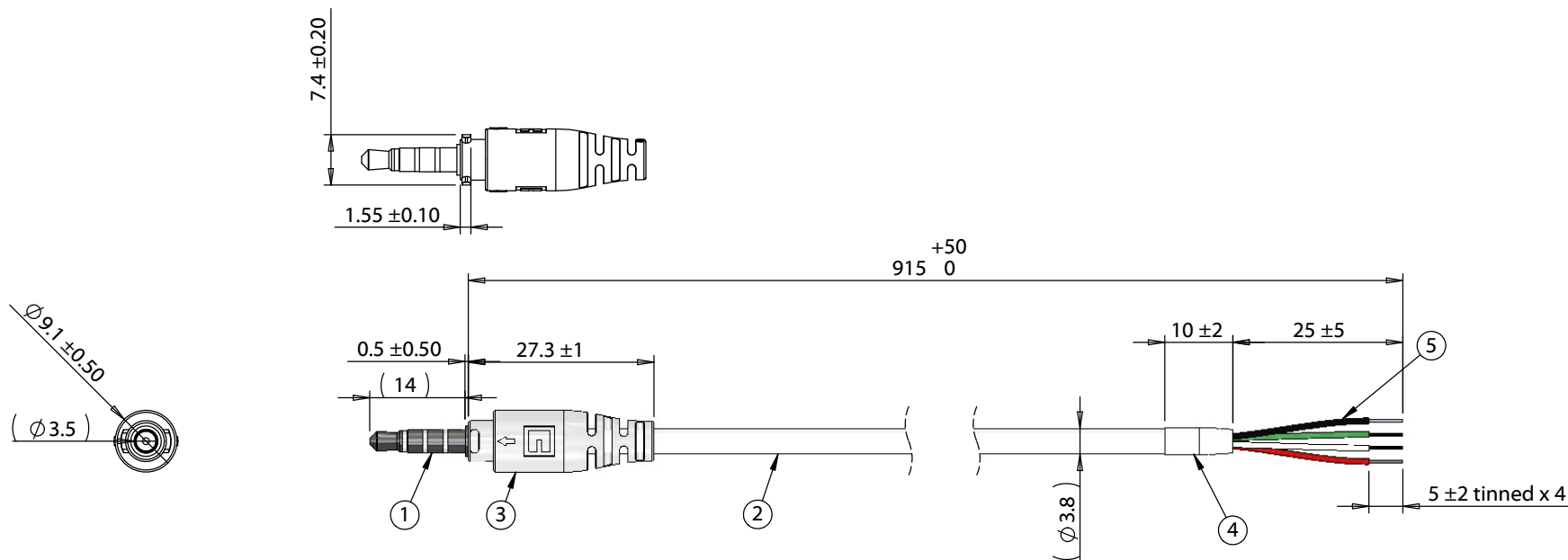
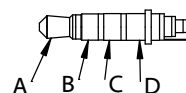


ITEM NO.	PART NUMBER	DESCRIPTION	QTY.	COMPONENT NOTES
1	50-00403	Connector, 4C stereo plug, 3.5xL20.7 mm, brass, nickel plated, white, molding style	1	
2	30-00180	Wire, 3C BC, 28 AWG, 300V, 80C, 3.8 mm, foil + shield, PVC, white	1	
3	24-00265	Overmold, audio plug, 3.5 mm, twist lock, TIC	1	PVC, white
4	Heat Shrink	Heat shrink tubing, white	1	
5	Heat shrink	Heat shrink tubing, black	1	Covers shield wire



**Notes:**  
 Made to mate with cable assembly: 10-03404 and 10-03410  
 Functionally equivalent components may be substituted



Wiring Diagram	
50-00403	wire color
A	red
B	white
C	green
D	shield/black

Revision:	Date:	Description:
A	9/24/2019	Initial release

Prepared: **AW**  
Digitally signed by AW  
Date: 2019.09.24 14:45:20 -07'00'

Verified: **CH**  
Digitally signed by CH  
Date: 2019.09.25 15:24:12 -07'00'

Dimensions are in millimeters.  
 Tolerances:  
 X: ± 0.5 mm  
 X.X: ± 0.3 mm  
 X.XX: ± 0.05 mm

Notes:  
 RoHS compliant  
 Function test: no open, no short circuit, no intermittent

Description:  
 Cable, 915 mm, 3.5 mm 4C 50-00403 twist lock audio plug to 5 mm tinned, 28 AWG, 30-00180, white

**TENSILITY**

tel 1.541.323.3228 800 877.670.7118  
 fax 1.541.323.4202 web tensility.com

Size: A Part number: 10-03403

Scale: 1:1 Sheet 1 of 1