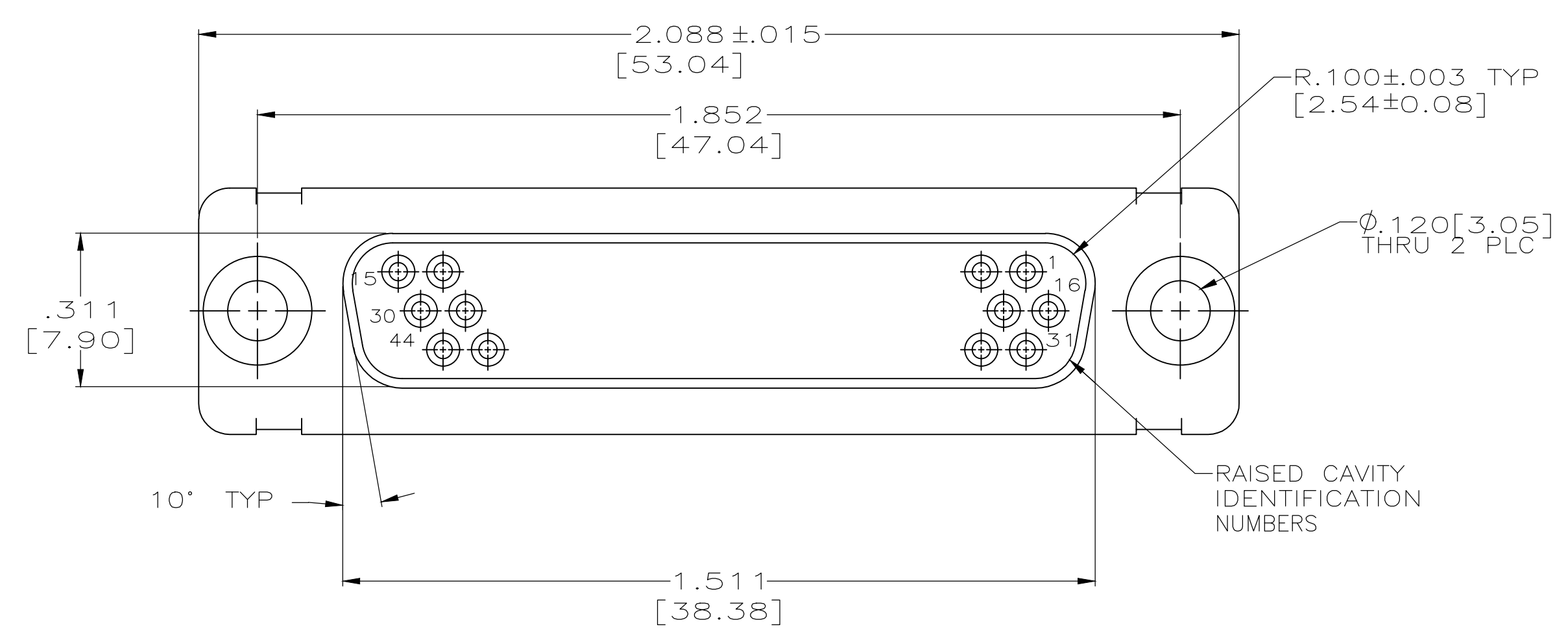
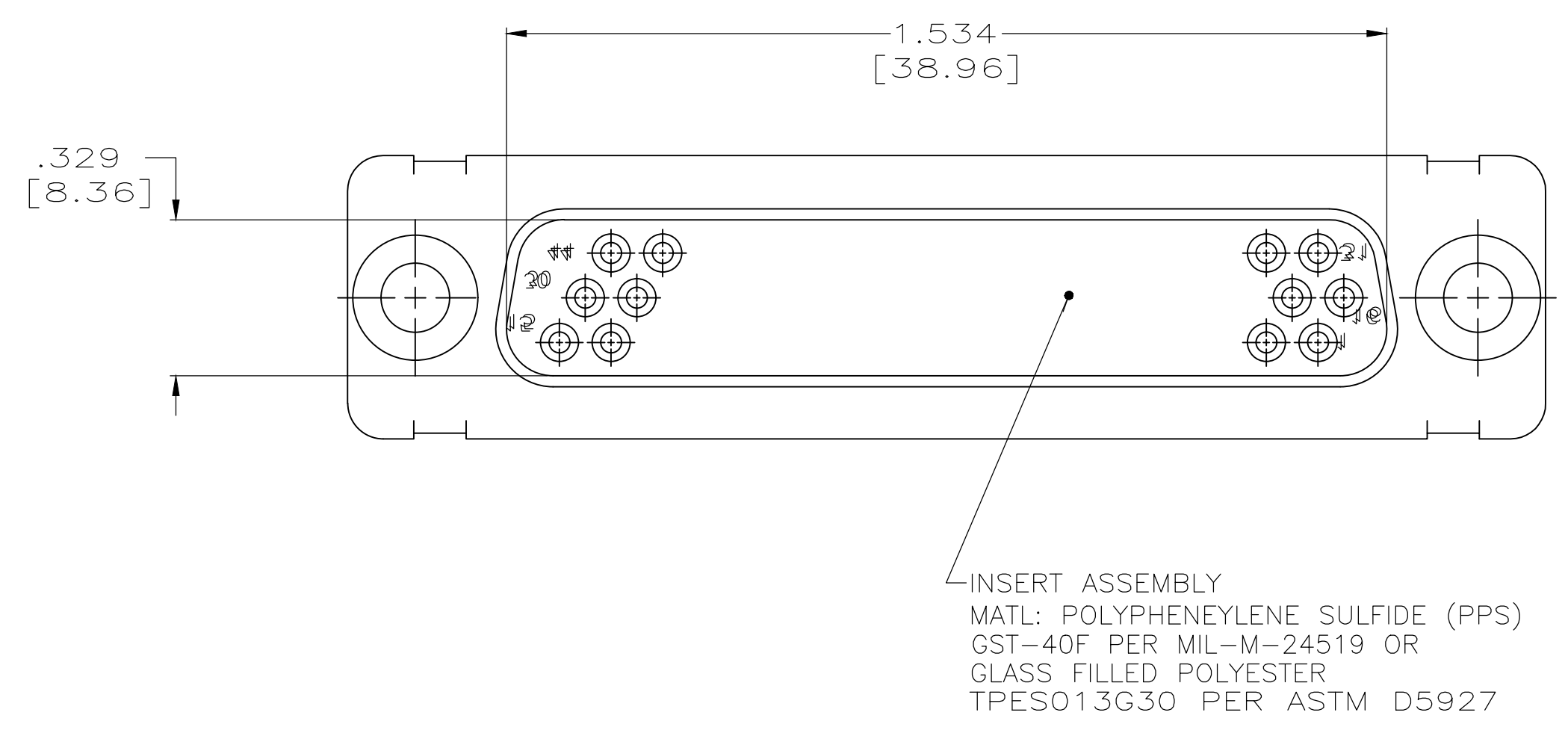
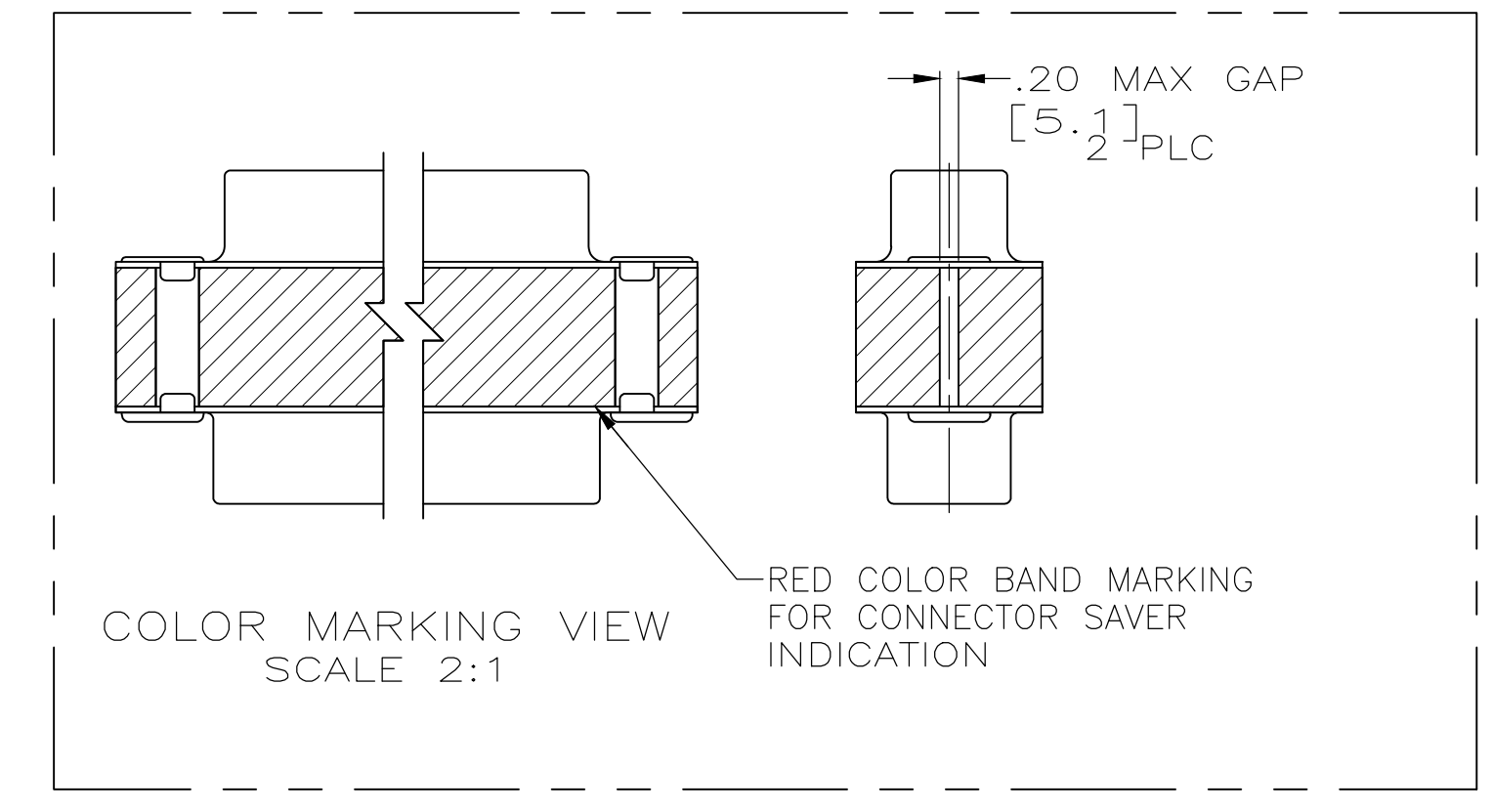
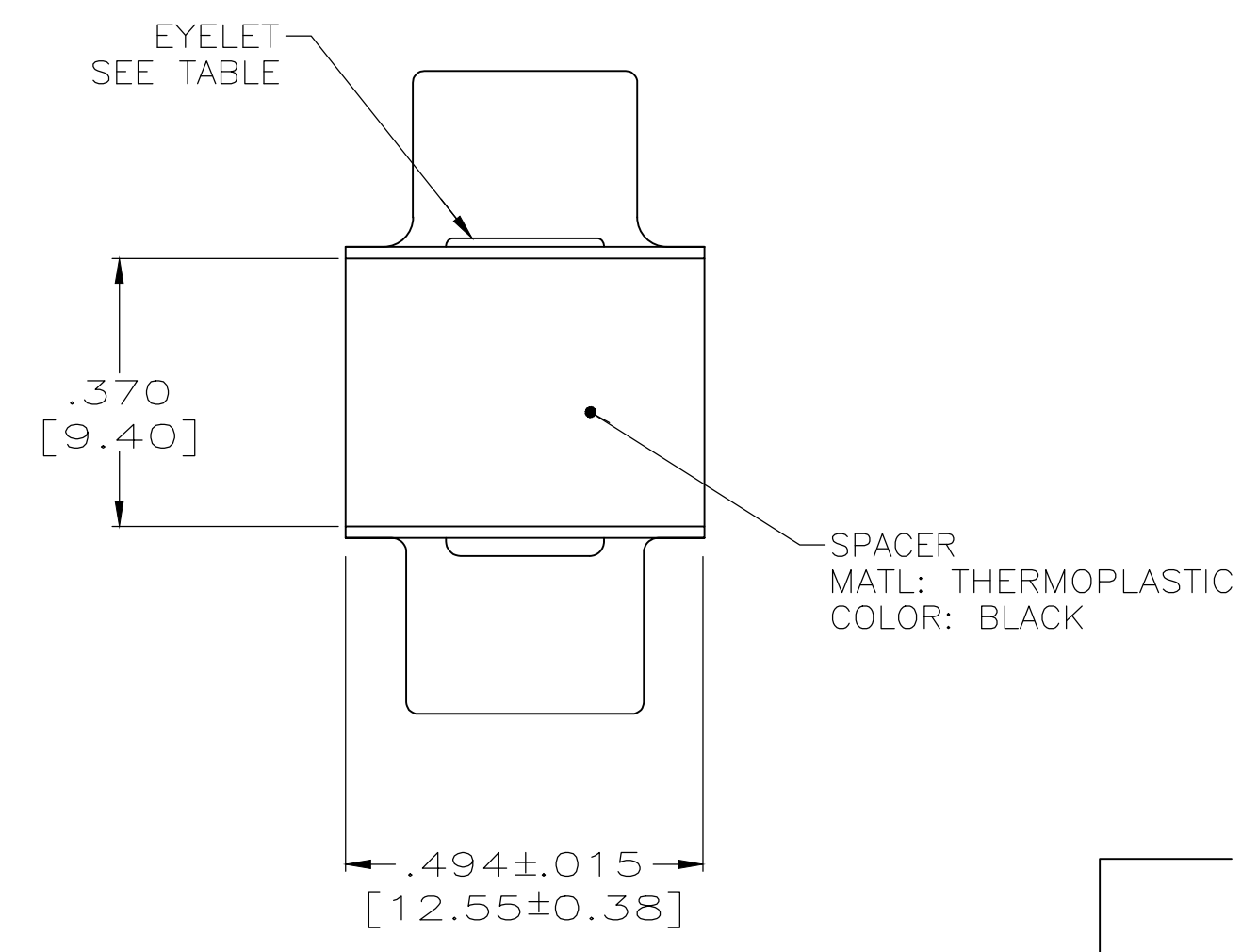
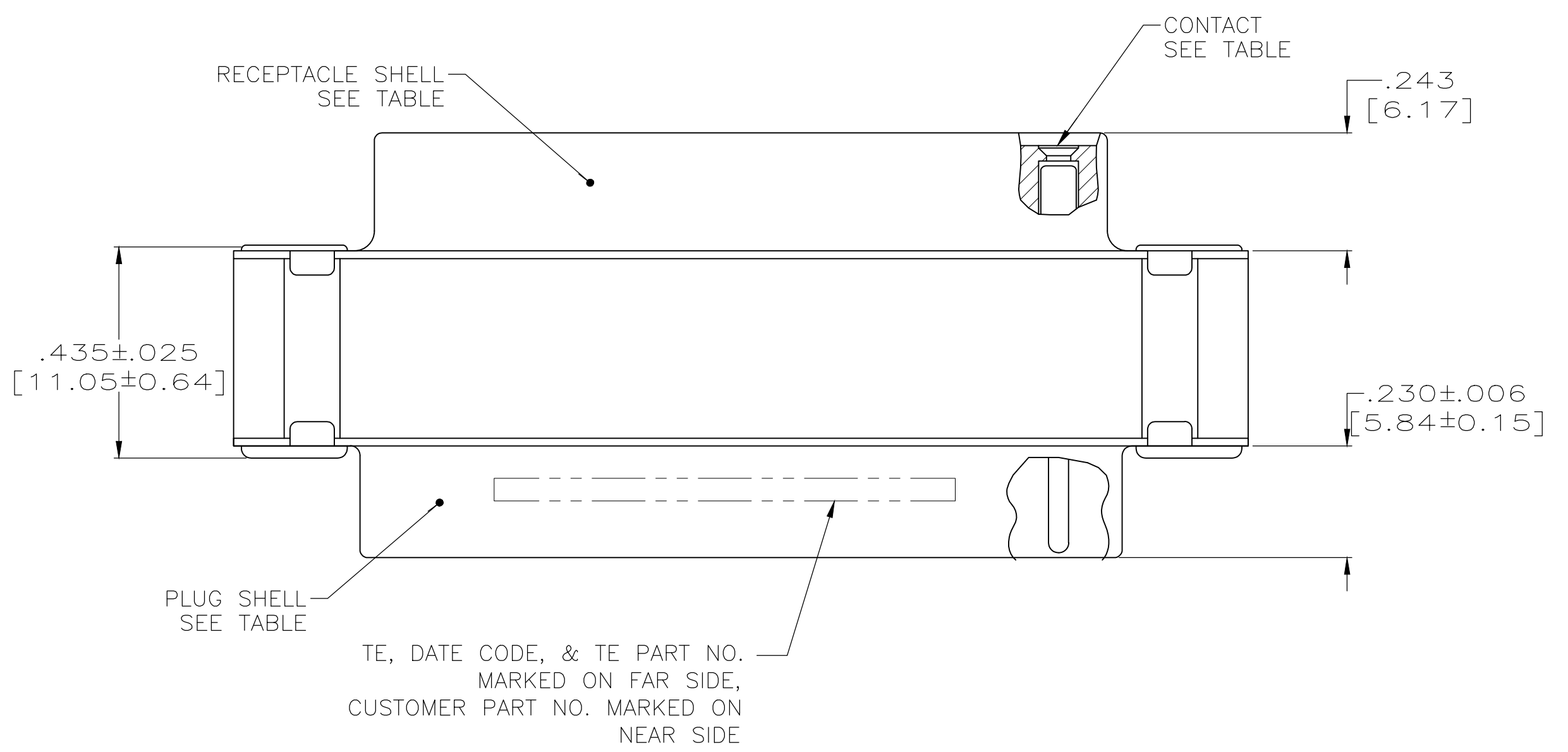


REVISIONS					
P	LTR	DESCRIPTION	DATE	DMN	APVD
F	REV PER ECO	19-019228	4-16-20	CT	DM



- 1. CONTACTS INCLUDED IN ASSEMBLY.
- △ CONTACT
- BODY MATL: BERYLLIUM COPPER PER ASTM-B-197.
- BODY FINISH: PLATED GOLD, .000050 MIN THK PER MIL-G-45204 OVER NICKEL, .000050 MIN THK PER QQ-N-290.
- HOOD MATL: STAINLESS STEEL PER ASTM-A-167.
- HOOD FINISH: PASSIVATED PER ASTM-A-380
- △ MATL: BRASS PER ASTM-B-36.
- △ FINISH: PLATED GOLD, .000050 MIN THK PER MIL-G-45204 OVER COPPER, .000100 MIN THK PER MIL-C-14550.



△ 4	△ 4	△ 2	4U884 SOCN R10002677-0008	1218310-2
△ 4	△ 4	△ 2	(1J02-008)	1218310-1
EYELET	SHELLS	CONTACT	CUSTOMER P/N	PART NO.
THIS DRAWING IS A CONTROLLED DOCUMENT.		DIN T. THOMPSON 19AUG98		TE Connectivity
DIMENSIONS: INCHES		CHK J. NORTON 19AUG98		
TOLERANCES UNLESS OTHERWISE SPECIFIED:		APVD J. NORTON 19AUG98		NAME
0 PLC	± -	PRODUCT SPEC		AMPLIMITE CONNECTOR SAVER
1 PLC	± -	APPLICATION SPEC		SERIES 90, SIZE 3, 44 POS
2 PLC	± -	SIZE		NON-REMOVABLE CONTACTS
3 PLC	± .005(0.13)	WEIGHT		
4 PLC	± -	0.000000		
ANGLES	± -	A1 00779 C=1218310		
MATERIAL		CUSTOMER DRAWING		RESTRICTED TO
FINISH		SCALE 4:1		SHEET 1 OF 1
		REV F		