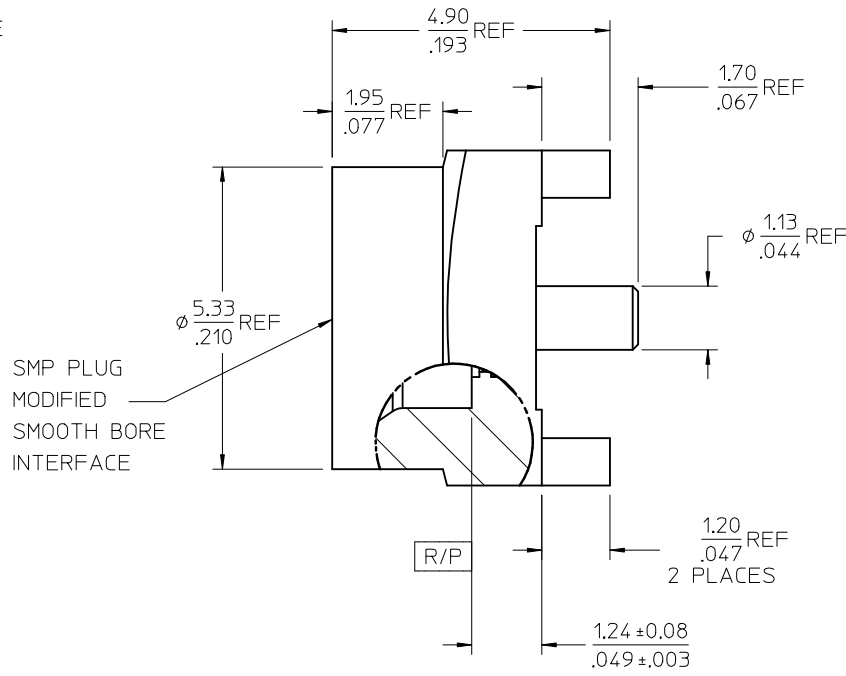
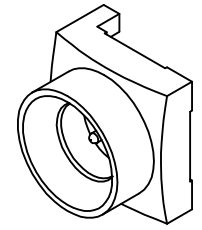


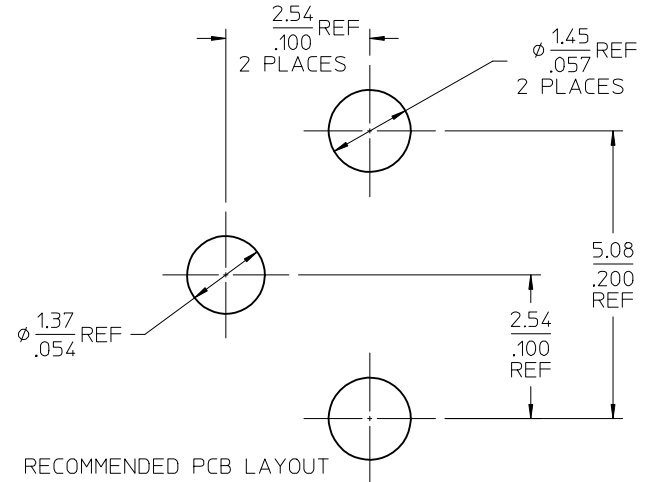
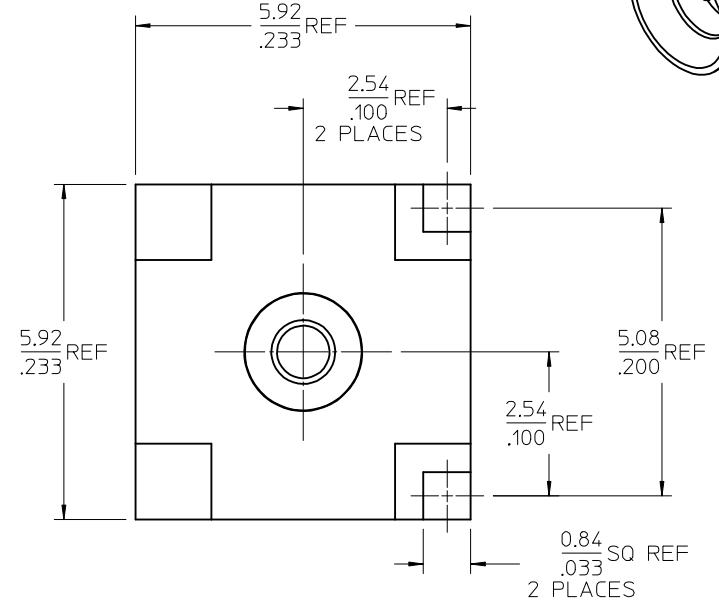
MATERIALS AND FINISHES:

BODY, CONTACT: BRASS
 PLATED: GOLD (30μ-in MIN)
 OVER NICKEL (100μ-in MIN)

INSULATOR: PTFE



SMP PLUG
 MODIFIED
 SMOOTH BORE
 INTERFACE



RECOMMENDED PCB LAYOUT

PART # 73415-5730

PS-89675-3320	PRODUCT SPECIFICATION
MIL-STD-348B, FIG. 326.5	INTERFACE
SPECIFICATION	DESCRIPTION

CHG: ADD DIMENSION 1.24/.049 IN E8 ZONE, UPD MATERIALS AND FINISHES NOTE. EC NO: URF2017-0403 DRWN:APRAKASH01 2017/06/08 CHKD:BBB 2017/06/08 APPR:AROBERTSON 2017/06/29	QUALITY SYMBOLS
	DESCRIPTION A1

GENERAL TOLERANCES (UNLESS SPECIFIED)
4 PLACES ± .010 3 PLACES ± .010 2 PLACES ± 0.25 1 PLACE ± .010 0 PLACE ± .010
ANGULAR ± 2°
DRAFT WHERE APPLICABLE MUST REMAIN WITHIN DIMENSIONS

DIMENSION STYLE	SCALE
MM/IN	METRIC
DRAWN BY TEF	DATE 2005/12/15
CHECKED BY SSS	DATE 2005/12/15
APPROVED BY JDW	DATE 2005/12/15
MATERIAL NO. 734155730	DOCUMENT NO. SD-73415-573

TITLE	THIRD ANGLE PROJECTION
SMP PLUG, MODIFIED INTERFACE, 50 OHMS, PCB EWR-2975 SMP-PC	
molex	
SHEET NO. 1 OF 1	
THIS DRAWING CONTAINS INFORMATION THAT IS PROPRIETARY TO MOLEX INCORPORATED AND SHOULD NOT BE USED WITHOUT WRITTEN PERMISSION	