


Adapter plate - HC-D 15-ADP/1 DSUB 25 - 1775266

Please be informed that the data shown in this PDF Document is generated from our Online Catalog. Please find the complete data in the user's documentation. Our General Terms of Use for Downloads are valid (<http://download.phoenixcontact.com>)

D-SUB adapter plate, for one D-SUB connector, no. of positions 25, housing series HC-D 15...



Key commercial data

| | |
|--------------------------------------|---|
| Packing unit | 1 pc |
| Minimum order quantity | 2 pc |
| GTIN |  4 017918 037994 |
| Weight per Piece (excluding packing) | 8.14 GRM |
| Custom tariff number | 85389099 |
| Country of origin | Germany |

Technical data

Dimensions

| | |
|---------------------------------|---------|
| Length | 57 mm |
| Height | 23 mm |
| Hole diameter | 3.2 mm |
| Drill hole distance, horizontal | 49.5 mm |
| Drill hole distance, vertical | 16 mm |

General

| | |
|---|------|
| Material | PA |
| Inflammability class according to UL 94 | HB |
| Color | gray |
| Number of positions | 25 |
| Design | D15 |

Adapter plate - HC-D 15-ADP/1 DSUB 25 - 1775266

Classifications

eCl@ss

| | |
|------------|----------|
| eCl@ss 4.0 | 27140816 |
| eCl@ss 4.1 | 27140816 |
| eCl@ss 5.0 | 27143424 |
| eCl@ss 5.1 | 27143424 |
| eCl@ss 6.0 | 27143424 |
| eCl@ss 7.0 | 27440209 |
| eCl@ss 8.0 | 27440209 |

ETIM

| | |
|----------|----------|
| ETIM 3.0 | EC002309 |
| ETIM 4.0 | EC002309 |
| ETIM 5.0 | EC002309 |

UNSPSC

| | |
|---------------|----------|
| UNSPSC 6.01 | 30211808 |
| UNSPSC 7.0901 | 39121408 |
| UNSPSC 11 | 39121408 |
| UNSPSC 12.01 | 39121408 |
| UNSPSC 13.2 | 39121408 |

Approvals

Approvals

Approvals

GOST

Ex Approvals

Approvals submitted

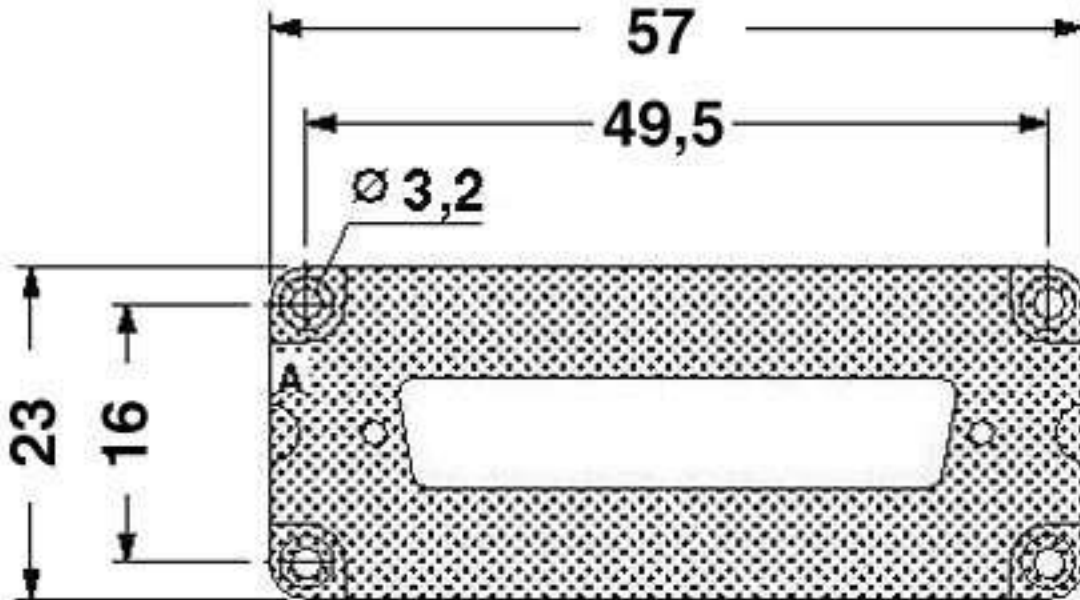
Approval details

| |
|--|
| GOST  |
|--|

Adapter plate - HC-D 15-ADP/1 DSUB 25 - 1775266

Drawings

Dimensioned drawing



Dimensioned drawing

