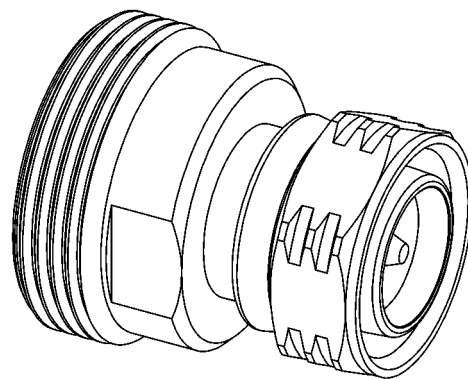
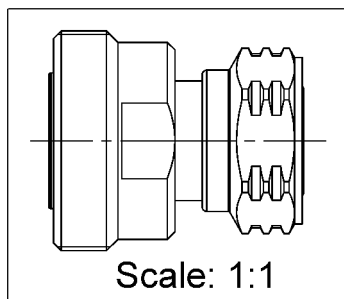
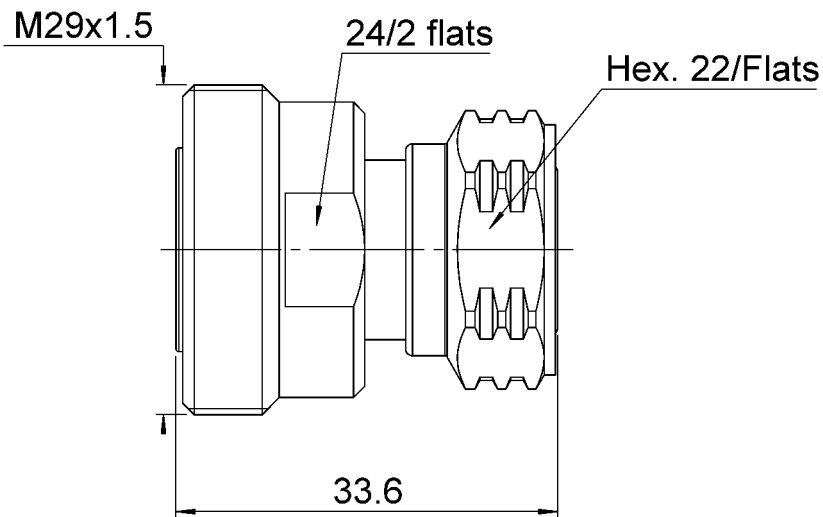
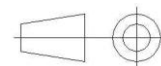


PAGE 1/2	ISSUE 1451A	SERIES ADAPTER	PART NUMBER R191592017
----------	-------------	-------------------	-------------------------------



All dimensions are in mm.



COMPONENTS	MATERIALS	PLATING (µm)
Body	BRASS	BBR
Center contact	BRONZE	SILVER
Outer contact	-	-
Insulator	PTFE	
Gasket	EPDM	
Others parts	BRASS	BBR
-	-	-
-	-	-

PAGE 2/2	ISSUE 1451A	SERIES ADAPTER	PART NUMBER R191592017
----------	-------------	--------------------------	-------------------------------

PACKAGING

Standard	Unit	Other
1	Contact us	Contact us

ELECTRICAL CHARACTERISTICS

Impedance		50	Ω
Frequency		0-6	GHz
VSWR	1.02	+	0.010 x F(GHz) Maxi
Insertion loss		0.05	√F(GHz) dB Maxi
RF leakage		NA	- F(GHz) dB Maxi
Voltage rating		1000	Veff Maxi
Dielectric withstanding voltage		2500	Veff mini
Insulation resistance		5000	MΩ mini

ENVIRONMENTAL

Operating	-55~+90	°C
Hermetic seal	NA	Atm.cm3/s
Panel leakage	NA	

MECHANICAL CHARACTERISTICS

Center contact retention			
Axial force – Mating End		200	N mini
Axial force – Opposite end		30	N mini
Torque		NA	N.cm mini
Recommended torque			
Mating	7-16	0	N.cm
	4.3-10	500	N.cm
		0	N.cm
Panel nut		NA	N.cm
Mating life		100	Cycles mini
Weight		75.706	g

SPECIFICATION

OTHER CHARACTERISTICS

PIM3<=-123 dBm, 2 carriers of +43dBm