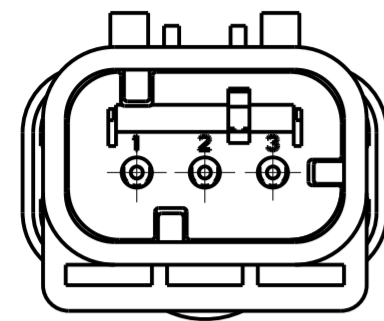
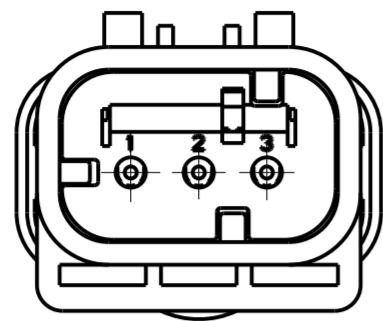


THIS DRAWING IS UNPUBLISHED
 RELEASED FOR PUBLICATION
 © COPYRIGHT BY TYCO ELECTRONICS CORPORATION ALL RIGHTS RESERVED.

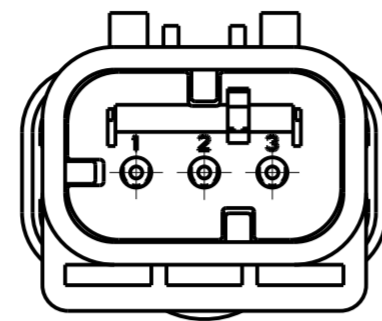
| REVISIONS | | | | |
|-----------|-----|---------------------------|-----------|--------|
| P | LTR | DESCRIPTION | DATE | APVD |
| D1 | | REVISED PER ECR-10-019377 | 04OCT2010 | HMR TM |
| E | | REVISED PER ECR-14-000206 | 26DEC2013 | PV RB |



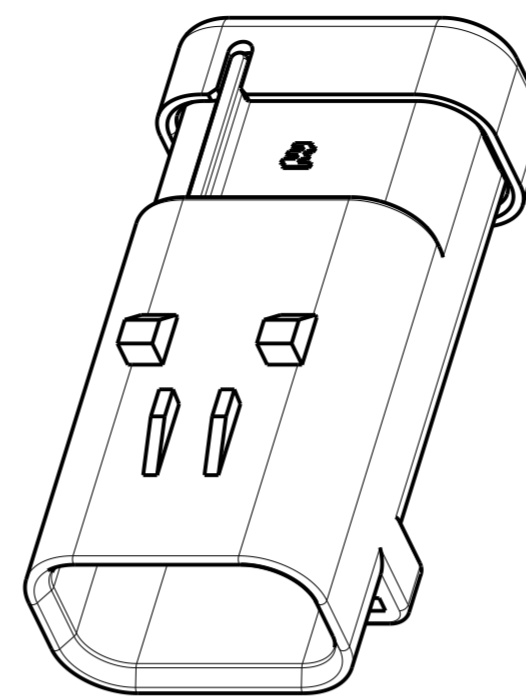
1871413-2
SCALE 2:1



1871413-3
SCALE 2:1



1871413-4
SCALE 2:1

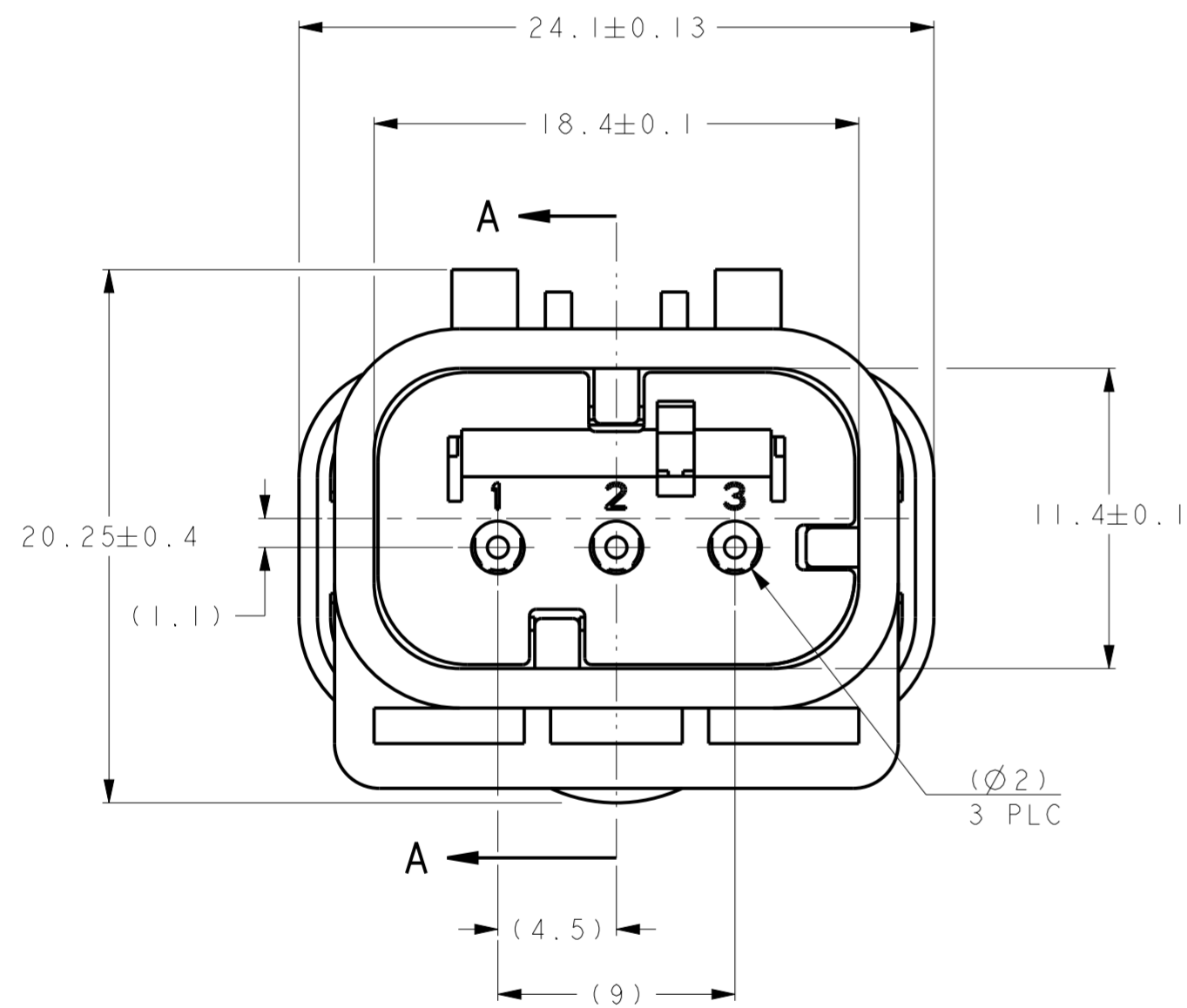


SCALE 2:1

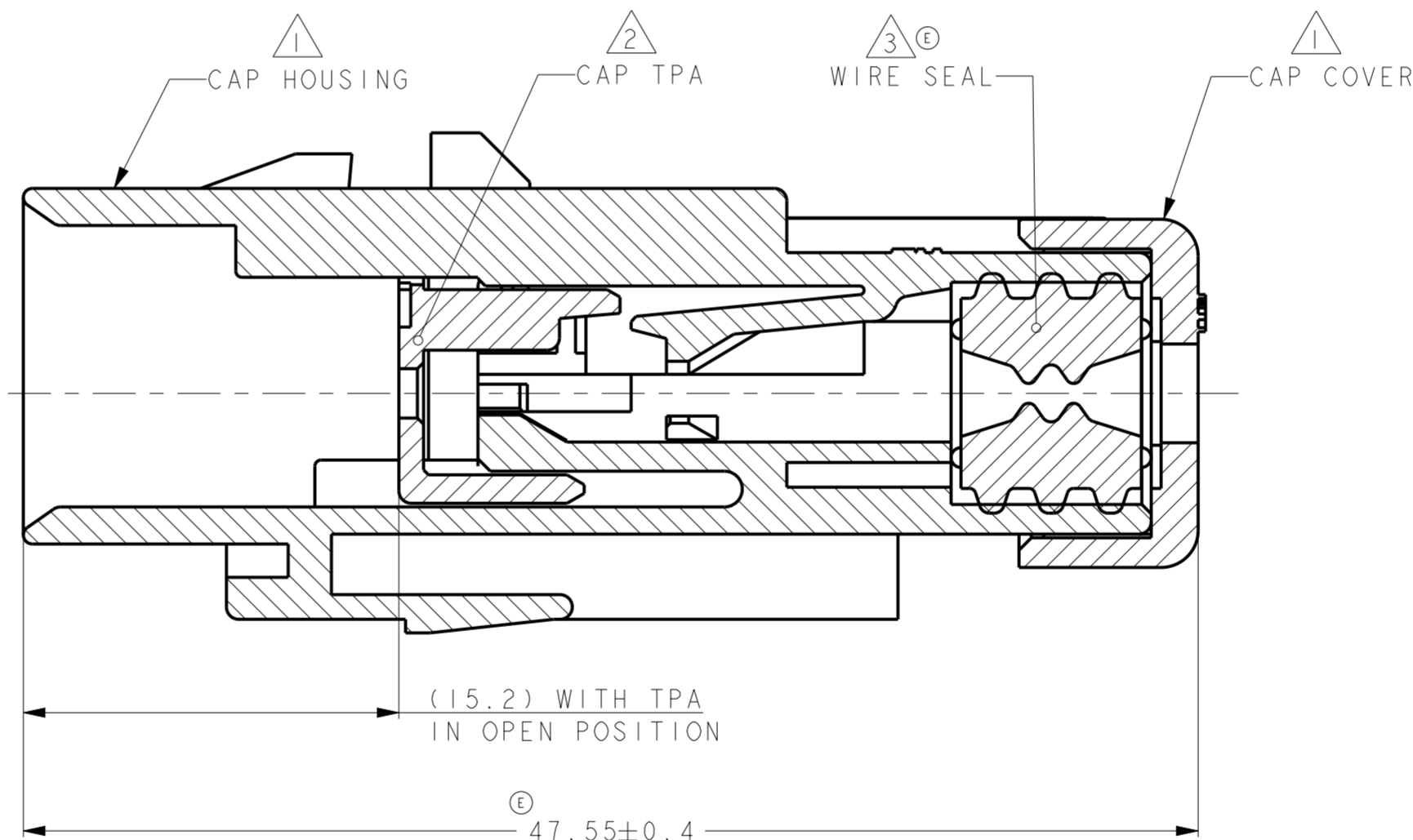
- ① MATERIAL: 15% GLASS FILLED THERMOPLASTIC
COLOR: BLACK
- ② MATERIAL: 15% GLASS FILLED THERMOPLASTIC
COLOR: (SEE TABLE)
- ③ MATERIAL: SILICONE
COLOR: RUST

4. WIRE INSULATION RANGE: $\varnothing 1.3 \sim \varnothing 2.3$

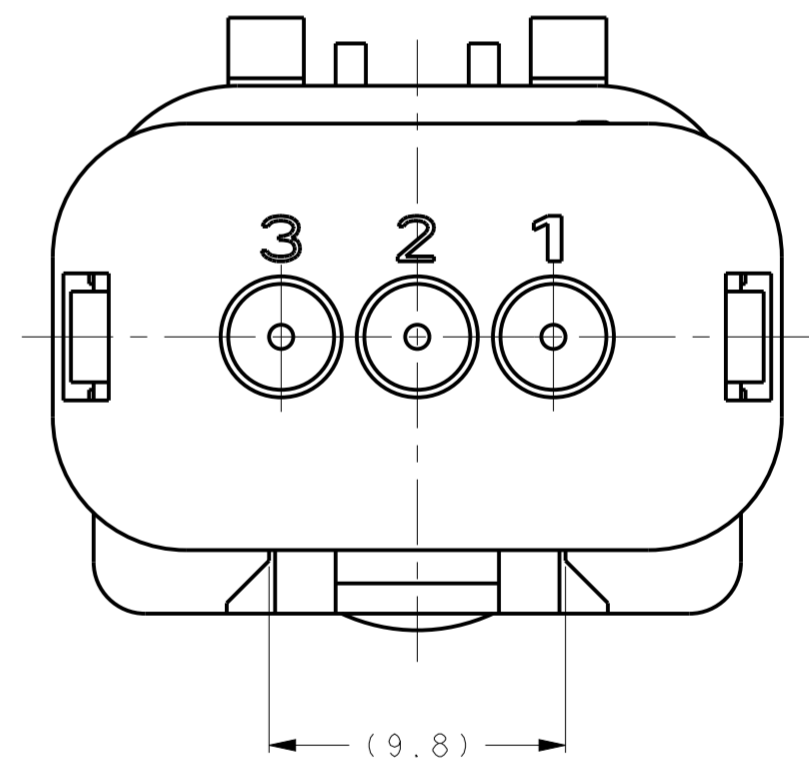
⑤ OBSOLETE PARTS: OBSOLETE CIS STREAMLINING PER D.RENAUD/D.SINISI



1871413-1 SHOWN



A - A
OPEN POSITION



| TPA COLOR | PART NUMBER |
|-----------|-------------|
| GREEN | 1871413-4 |
| YELLOW | 1871413-3 |
| GRAY | 1871413-2 |
| RED | 1871413-1 |

⑤
OBSOLETE

| | | | | |
|--|---|---------------------------------|---|--|
| THIS DRAWING IS A CONTROLLED DOCUMENT. | | DWN Y. KATO 21DEC2005 | TE Connectivity | |
| DIMENSIONS: mm | | CHK J. AKASAKA 28DEC2005 | | |
| TOLERANCES UNLESS OTHERWISE SPECIFIED: | | APVD D. MITSUGI 28DEC2005 | NAME CAP ASSY, 3 POS. BRACKET REVERSE TYPE SMALL WIRE SIZE AMP SEAL 16 | |
| 0 PLC | ± | PRODUCT SPEC | SIZE CAGE CODE DRAWING NO | |
| 1 PLC | ± | 108-2184 | RESTRICTED TO | |
| 2 PLC | ± | APPLICATION SPEC | A200779C-1871413 | |
| 3 PLC | ± | 114-13065 | SCALE 4:1 SHEET OF REV E | |
| 4 PLC | ± | WEIGHT - | | |
| ANGLES | ± | Customer Drawing | | |
| FINISH | - | | | |