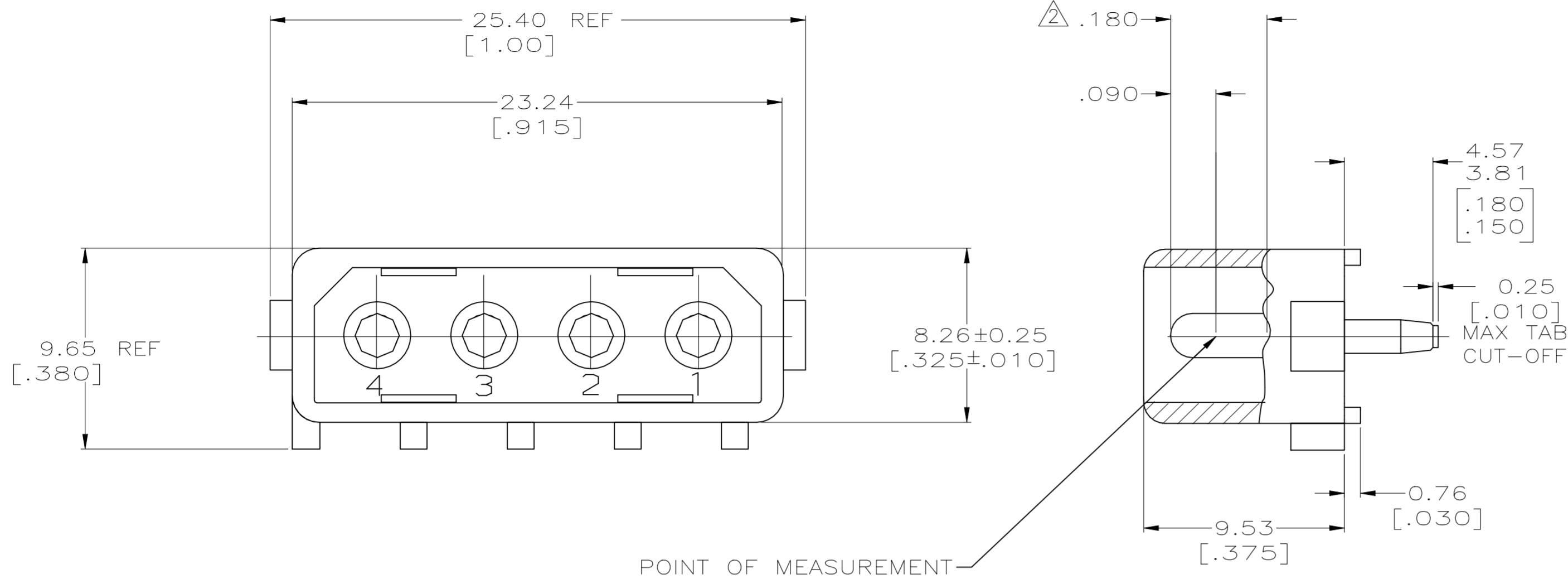
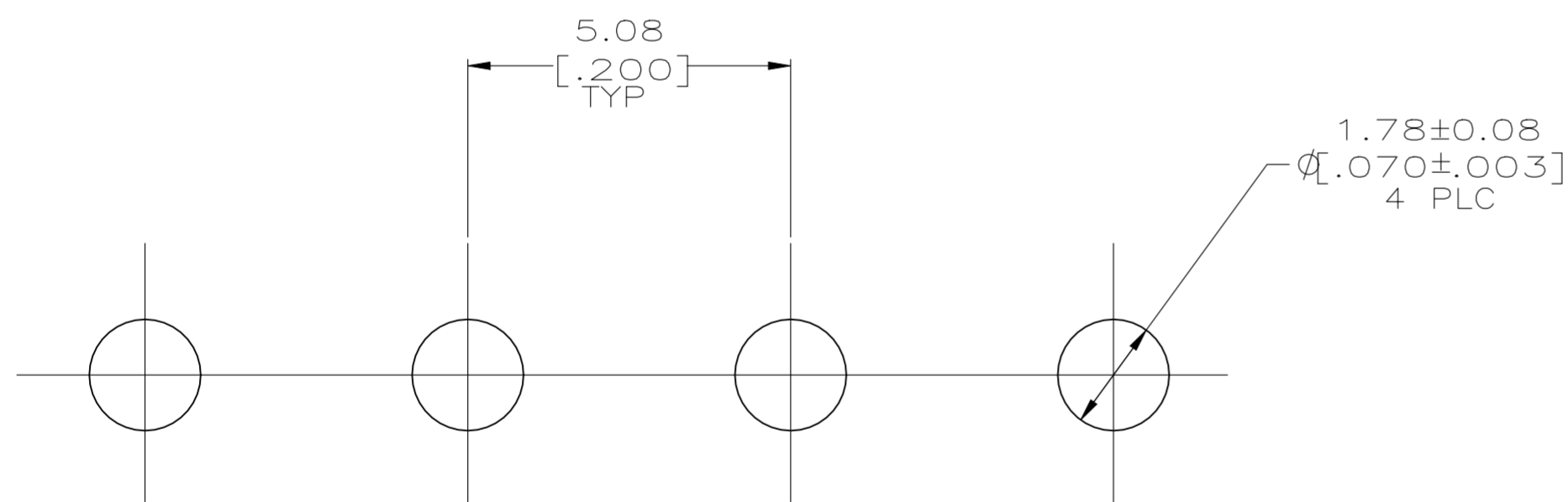


THIS DRAWING IS UNPUBLISHED. RELEASED FOR PUBLICATION
 © COPYRIGHT - By - ALL RIGHTS RESERVED.

REVISIONS					
P	LTR	DESCRIPTION	DATE	DWN	APVD
U6		REVISED PER ECR-21-117185	25OCT2021	PJ	VS



- 1 PARTS MUST COMPLY WITH TE SOLDERABILITY SPECIFICATION 109-11-3.
- △ CONTACT IS PLATED OVERALL WITH 0.00127 [.000050] NICKEL, THEN 0.00076 [.000030] GOLD OVER CONTACT LENGTH INDICATED AND TIN PLATED ON SOLDERTAIL END.
- 3 DIMENSIONS IN BRACKETS ARE IN INCHES.
- 4 DIMENSION SHOWN REPRESENT PRODUCT IN DRY CONDITION. ADDITIONAL 2% GROWTH DUE TO END USE LOCATION MOISTURE ABSORPTION MAY OCCUR AND SHOULD BE ACCOUNTED FOR.



OBSOLETE	PHOS BRZ, TIN LEAD	NYLON,UL94V-2	-350211-3-
SUPERSEDED BY 1586515-2	△ PHOS BRZ, PRE-TIN	NYLON,UL94V-2	350211-2-
	PHOS BRZ, PRE-TIN	NYLON,UL94V-2	350211-1
PIN CONTACT MATERIAL & FINISH		HOUSING MATERIAL & COLOR	PART NUMBER

THIS DRAWING IS A CONTROLLED DOCUMENT.		DWN 27MAY2005 K. WHITAKER	STE TE Connectivity	
		CHK 27MAY2005 D. COLEY		
		APVD 27MAY2005 D. COLEY	NAME	
DIMENSIONS: mm [INCHES]		PRODUCT SPEC		SIZE
TOLERANCES UNLESS OTHERWISE SPECIFIED:		APPLICATION SPEC		CAGE CODE
0 PLC ± -		-		DRAWING NO
1 PLC ± -		-		RESTRICTED TO
2 PLC ± 0.38 [.015]		-		SCALE
3 PLC ± -		-		SHEET
4 PLC ± -		-		1 OF 1
ANGLES ± 0°30'		-		REV
MATERIAL SEE TABLE	FINISH SEE TABLE	WEIGHT 0.000000	A2 00779	C=350211
		CUSTOMER DRAWING		U6