

4

3

2

1

THIS DRAWING IS UNPUBLISHED.

RELEASED FOR PUBLICATION

,19

© COPYRIGHT 19

BY AMP INCORPORATED. ALL RIGHTS RESERVED.

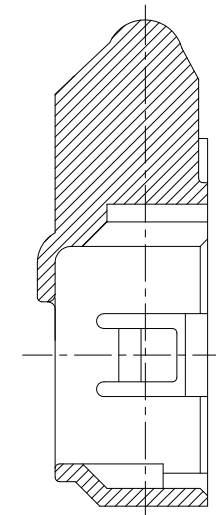
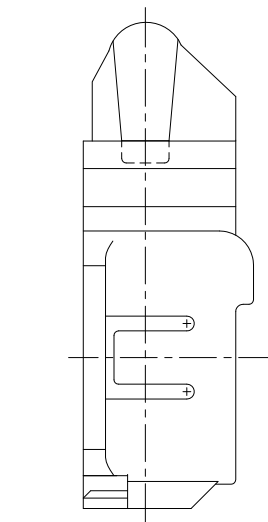
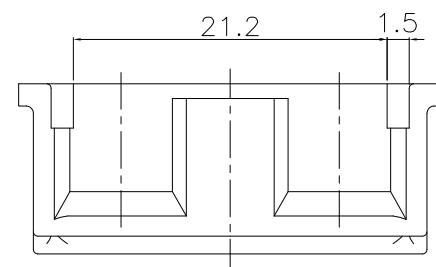
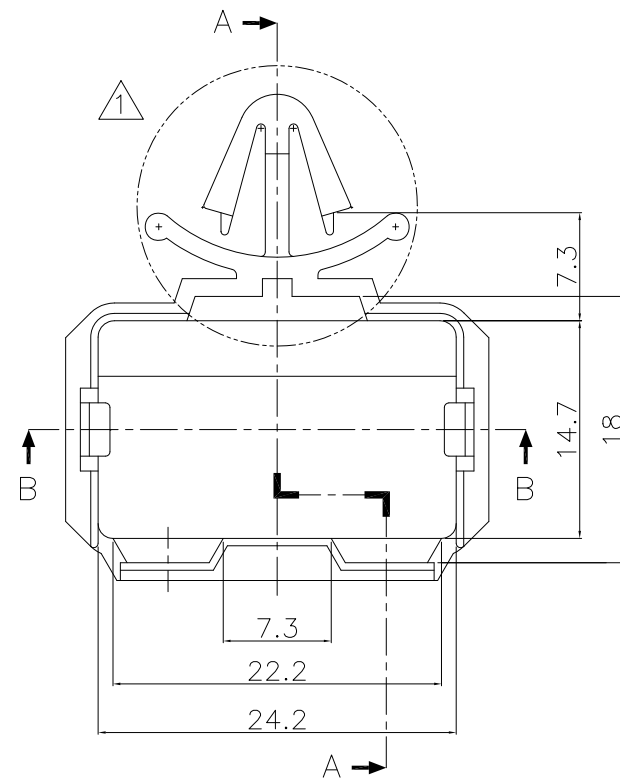
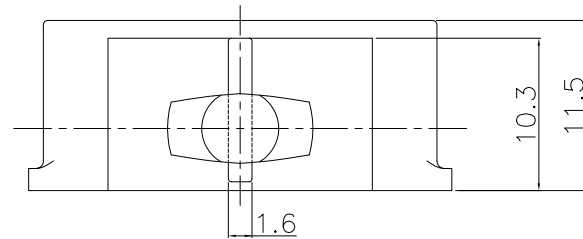
LOC

DIST

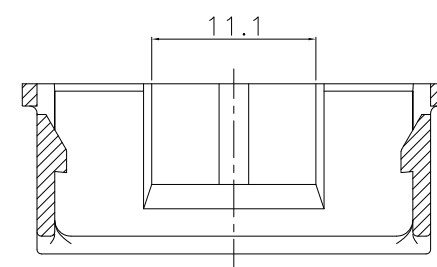
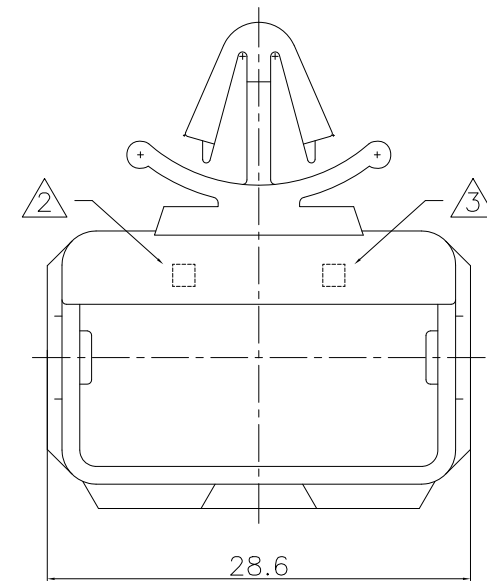
REVISIONS

P	LTR	DESCRIPTION	DATE	DWN	APVD
O		RELEASED (FC00-0119-01)	06/NOV/01	YD	CS
A		REVISED (ECR-05-009469)	23/AUG/05	IS	JK
B		REVISED (ECR-08-030553)	02/FEB/09	YM	HC

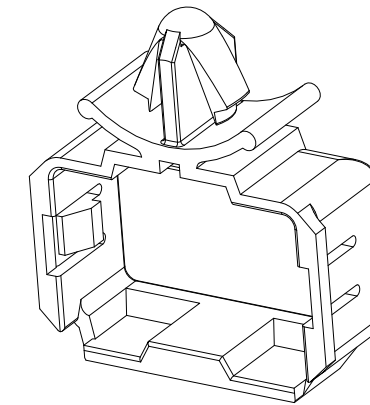
936273-1



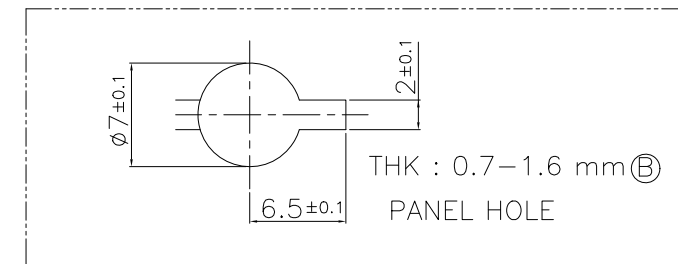
SECTION A-A



SECTION B-B



3D VIEW

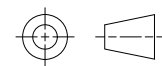


NOTES

- 1. EACH P/NO IS DIFFERENTIATED BY ONLY THIS FIGURE DUE TO PANEL & JPT
- 2. CAVITY MARK
- 3. TE LOGO

THIS DRAWING IS A CONTROLLED DOCUMENT FOR AMP INCORPORATED. IT IS SUBJECT TO CHANGE AND THE CONTROLLING ENGINEERING ORGANIZATION SHOULD BE CONTACTED FOR THE LATEST REVISION.

DIMENSIONS: MM TOLERANCES UNLESS OTHERWISE SPECIFIED:



3rd ANGLE PROJECTION

MATERIAL NYLON 66 (DSC201IR, BLACK)

FINISH

0<XX<10 ± 0.2
 10<XX<30 ± 0.25
 30<XX<100 ± 0.3
 ANGLES ± 3°

936273-1	ø7 (THK:0.7-1.6) (B) KEY HOLE	85205/368366/368356(STD), 368000/936136(MULTI)
----------	----------------------------------	--

P/NO	PANEL HOLE & THK	APPLICABLE P/NO OF JPT 3P ASS'Y
------	------------------	---------------------------------

DWN Y.M.LEE	AMP KOREA. Kyungsan, Korea
CHK Y.M.CHOI	
APVD H.G.CHO	

PRODUCT SPEC	NAME		
APPLICATION SPEC	CLIP BODY HSG FOR JPT 3P ASS'Y		

WEIGHT	1.87 g	SIZE	A3	CAGE CODE	00779	DRAWING NO	©-936273
--------	--------	------	----	-----------	-------	------------	----------

CUSTOMER DRAWING	SCALE	1/2	SHEET	1	OF	3	REV	B
------------------	-------	-----	-------	---	----	---	-----	---

4

3

2

1

THIS DRAWING IS UNPUBLISHED.

RELEASED FOR PUBLICATION

,19

© COPYRIGHT 19

BY AMP INCORPORATED. ALL RIGHTS RESERVED.

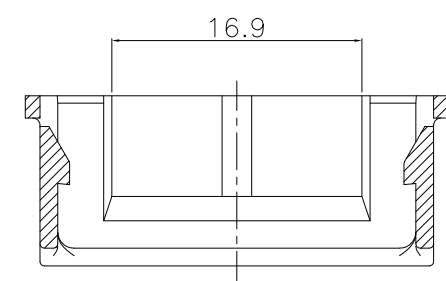
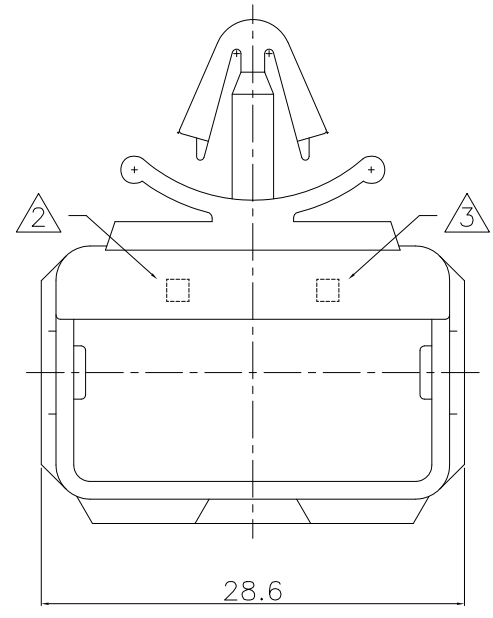
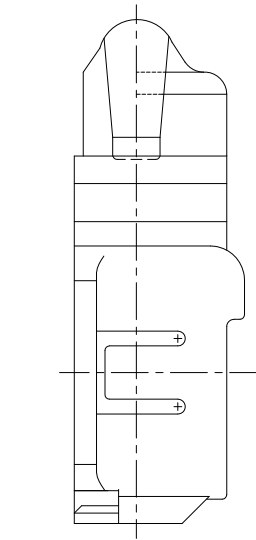
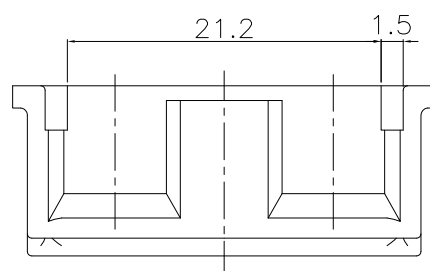
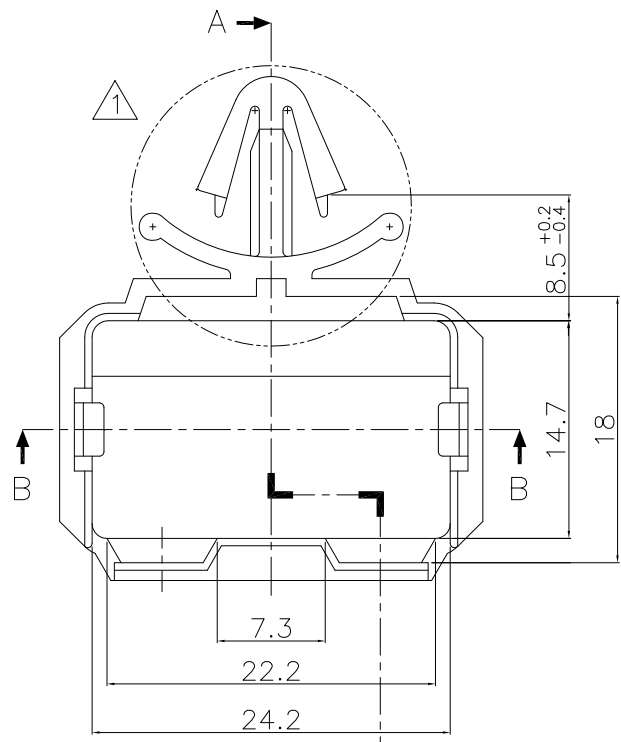
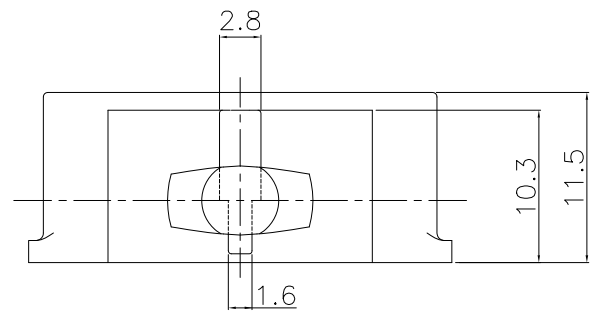
LOC
DS

DIST

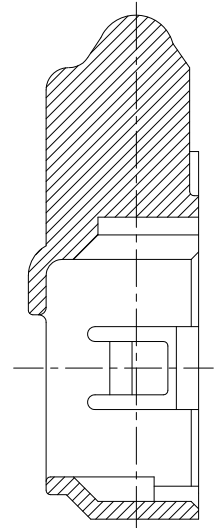
REVISIONS

P	LTR	DESCRIPTION	DATE	DWN	APVD
SEE SHEET 1/3					

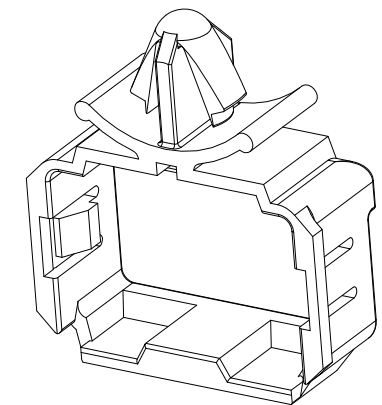
936273-2



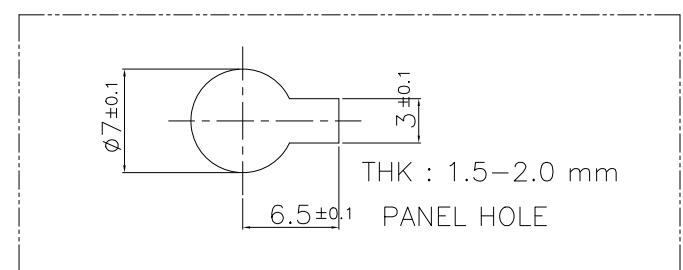
SECTION B-B



SECTION A-A



3D VIEW



NOTES

- 1. EACH P/NO IS DIFFERENTIATED BY ONLY THIS FIGURE DUE TO PANEL & JPT
- 2. CAVITY MARK
- 3. TE LOGO

THIS DRAWING IS A CONTROLLED DOCUMENT FOR AMP INCORPORATED. IT IS SUBJECT TO CHANGE AND THE CONTROLLING ENGINEERING ORGANIZATION SHOULD BE CONTACTED FOR THE LATEST REVISION.

DIMENSIONS: MM	TOLERANCES UNLESS OTHERWISE SPECIFIED: 0<XX<10 ± 0.2 10<XX<30 ± 0.25 30<XX<100 ± 0.3 ANGLES ± 3°
3rd ANGLE PROJECTION	
MATERIAL NYLON 66 (DSC201IR,BLACK)	FINISH

936273-2	ø7 (THK:1.5-2.0) KEY HOLE	368215(KNOCK SENSOR)
P/NO	PANEL HOLE & THK	APPLICABLE P/NO OF JPT 3P ASS'Y
DWN	AMP KOREA. Kyungsan, Korea	
CHK		
APVD		
PRODUCT SPEC		
APPLICATION SPEC	NAME CLIP BODY HSG FOR JPT 3P ASS'Y	
WEIGHT	1.97 g	SIZE A3
CUSTOMER DRAWING		CAGE CODE 00779
		DRAWING NO © 936273
		SCALE 1/2
		SHEET 2 OF 3
		REV B

4

3

2

1

THIS DRAWING IS UNPUBLISHED.

RELEASED FOR PUBLICATION

,19

© COPYRIGHT 19

BY AMP INCORPORATED. ALL RIGHTS RESERVED.

LOC

DIST

REVISIONS

DS

P

LTR

DESCRIPTION

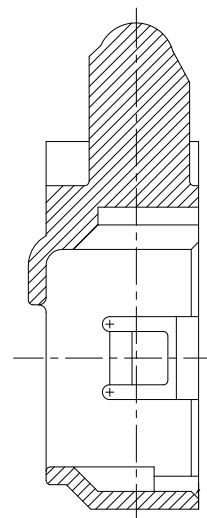
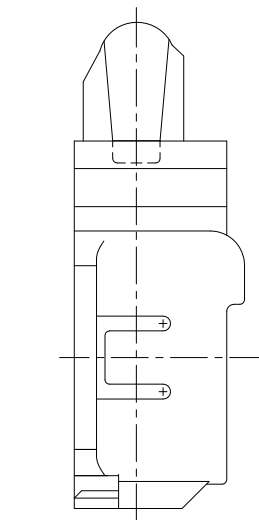
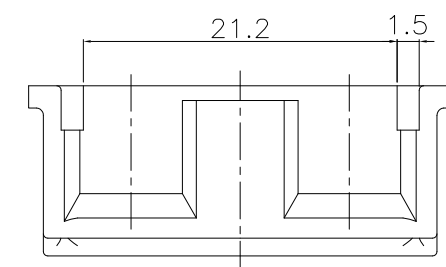
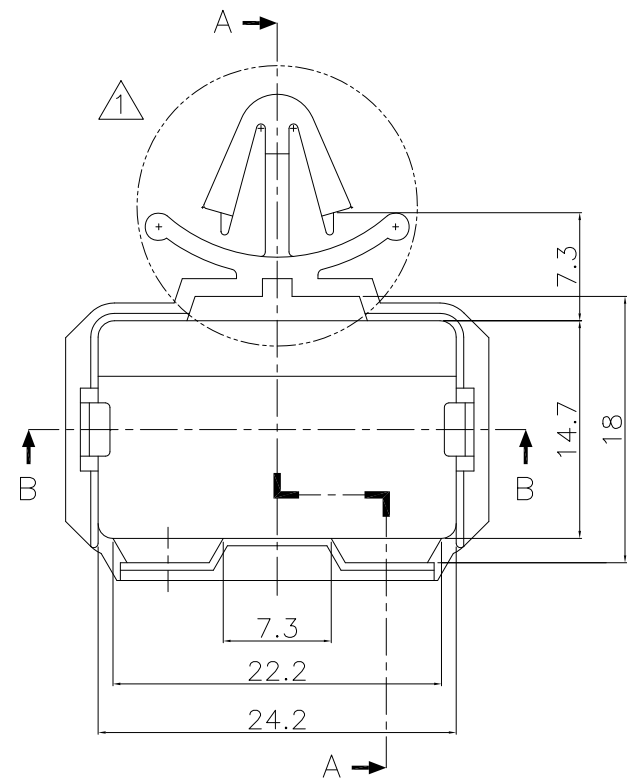
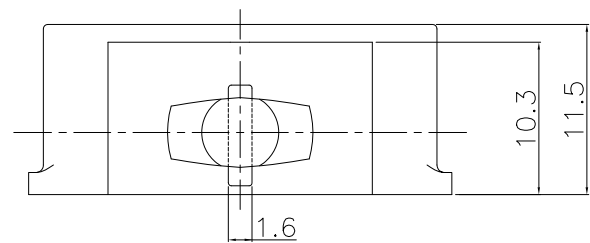
DATE

DWN

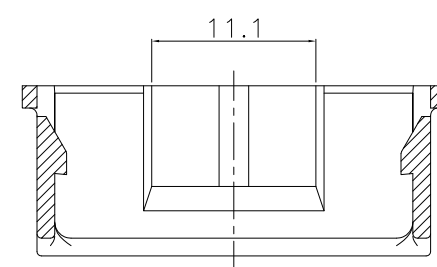
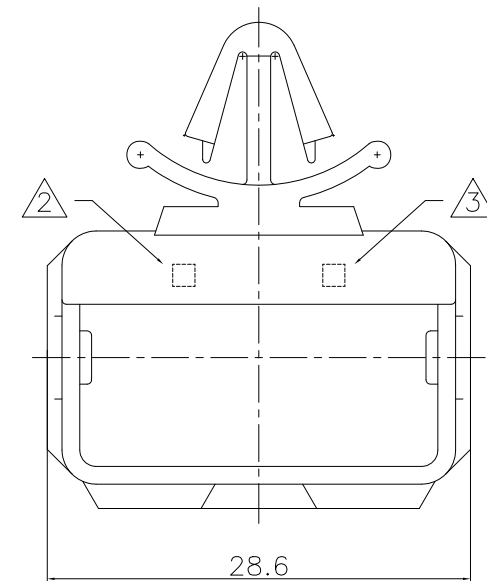
APVD

SEE SHEET 1/3

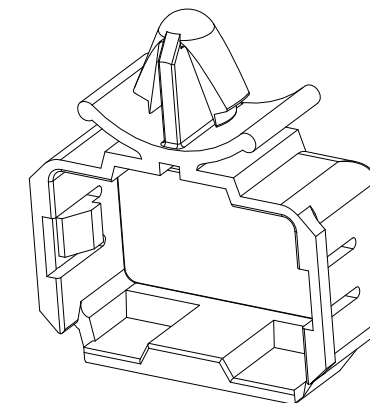
1-936273-1



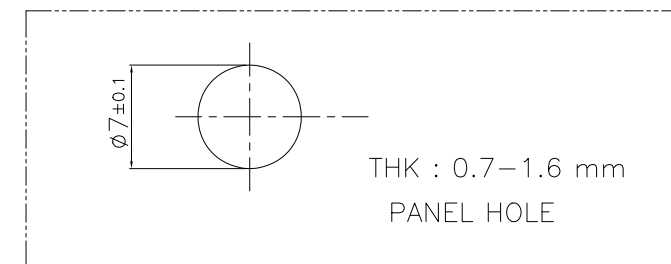
SECTION A-A



SECTION B-B



3D VIEW



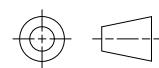
THK : 0.7-1.6 mm
PANEL HOLE

NOTES

- 1. EACH P/NO IS DIFFERENTIATED BY ONLY THIS FIGURE DUE TO PANEL & JPT
- 2. CAVITY MARK
- 3. TE LOGO

THIS DRAWING IS A CONTROLLED DOCUMENT FOR AMP INCORPORATED. IT IS SUBJECT TO CHANGE AND THE CONTROLLING ENGINEERING ORGANIZATION SHOULD BE CONTACTED FOR THE LATEST REVISION.

DIMENSIONS:
MM



3rd ANGLE PROJECTION
MATERIAL
NYLON 66
(TEKAMID210IR,DARK GRAY)

TOLERANCES UNLESS OTHERWISE SPECIFIED:

0<XX<10 ± 0.2
 10<XX<30 ± 0.25
 30<XX<100 ± 0.3
 ANGLES ± 3°

FINISH

1-936273-1	ø7 (THK:0.7-1.6) ROUND HOLE	85205/368366/368356(STD), 368000/936136(MULTI)
------------	--------------------------------	--

P/NO	PANEL HOLE & THK	APPLICABLE P/NO OF JPT 3P ASS'Y
------	------------------	---------------------------------

DWN	AMP KOREA. Kyungsan, Korea
CHK	
APVD	
NAME	
PRODUCT SPEC	CLIP BODY HSG FOR JPT 3P ASS'Y
APPLICATION SPEC	

WEIGHT	1.80 g	SIZE	A3	CAGE CODE	00779	DRAWING NO	©-936273
--------	--------	------	----	-----------	-------	------------	----------

CUSTOMER DRAWING	SCALE	1/2	SHEET	3	OF	3	REV	B
------------------	-------	-----	-------	---	----	---	-----	---