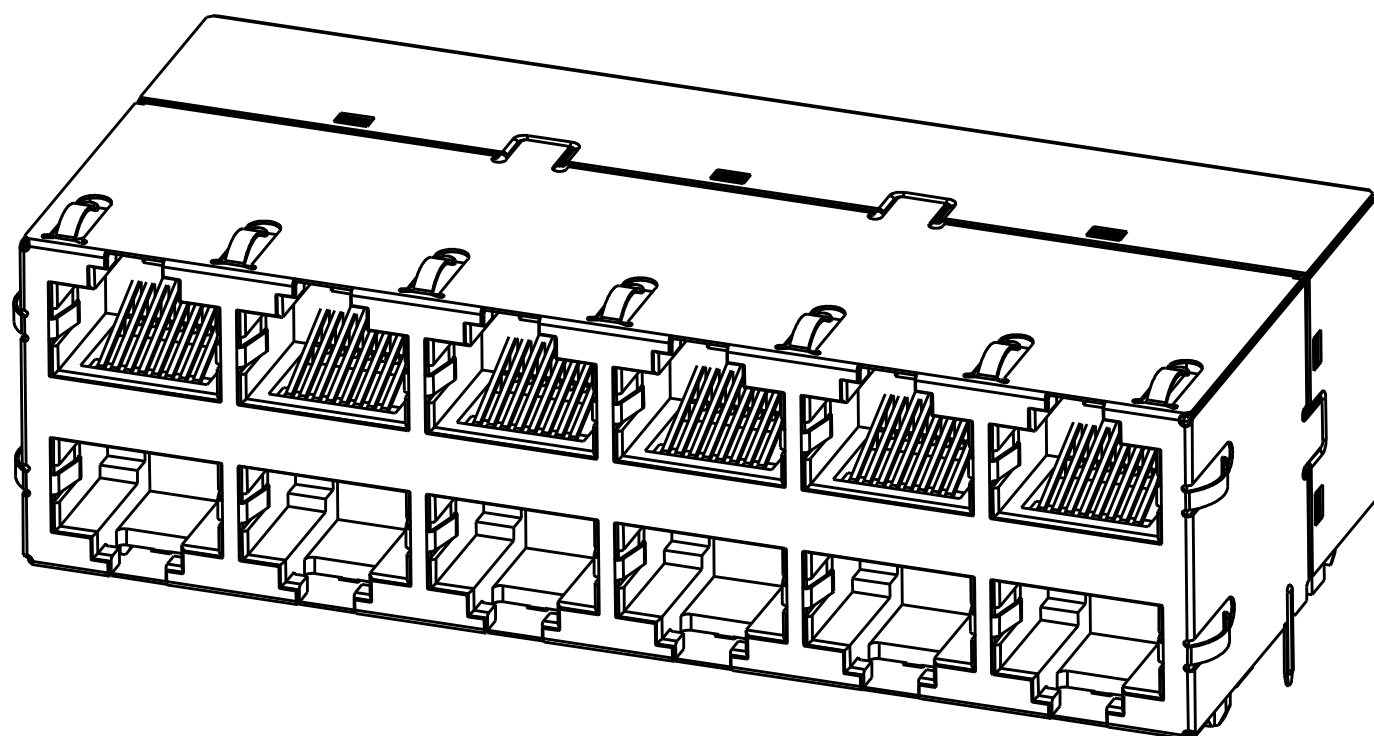


THIS DRAWING AND THE SUBJECT MATTER SHOWN THEREON ARE CONFIDENTIAL AND THE PROPERTY OF BEL/STEWART/TRP CONNECTOR AND SHALL NOT BE REPRODUCED, COPIED, OR USED IN ANY MANNER WITHOUT THE WRITTEN CONSENT OF TRP CONNECTOR.

PRODUCT MAY BE PROTECTED BY ONE OR MORE OF THE FOLLOWING US PATENTS:
 5736910 5939955 6425781 6428361 6554638 6840817 7123117
 7429195 7717749 7808751 6217391 6149050 7924130

REVISIONS				
#	LT#	DESCRIPTION	DATE	OWN
1	D	EC-1411035 COMPANY LOGO CHANGE	26JAN2015	CZ TY



- MATERIALS:**
 PLASTIC HOUSING: BLACK, THERMOPLASTIC FLAMMABILITY RATING UL 94V-0
 SHIELD: BRASS, PREPLATED WITH 0.76um MIN SEMI-BRIGHT NICKEL,
 POST DIPPED WITH 2.54um MIN SAC SOLDER ON SOLDER TAILS.
 CONTACTS: PHOSPHOR BRONZE, 1.27um MIN OVERALL NICKEL
 UNDERPLATE WITH SELECT 1.27um MIN GOLD AT MATING INTERFACE
 AND 2.54um MIN MATTE TIN ON SOLDER TAILS.
 ALL PCB BOARDS: HIGH TEMPERATURE PCB, TG>170°C

- MAGNETICS**
 APPLICATION: 10/100/1000 BASE-T, PoE PLUS
 IMPEDANCE: 100 OHMS
 TURNS RATIO (CHIP:CABLE): 1:1 ALL FOUR PAIRS
 OPEN CIRCUIT INDUCTANCE (OCL): ALL CHANNELS 350uH MIN @100kHz,
 0.1VRMS WITH 8mADC BIAS FROM 0°C TO 70°C, 200uH MIN @100kHz,
 0.1VRMS WITH 19mADC BIAS FROM 0°C TO 70°C, ACROSS RJ1-RJ2 & RJ3-RJ6
 ALL FOUR PAIRS BI-DIRECTIONAL
 POE CURRENT: 600mADC MAX
 PERFORMANCE @ 25°C:
 INSERTION LOSS (IL): 1.1dB MAX FROM 0.5MHz TO 100MHz
 RETURN LOSS (RL): 18dB MIN FROM 0.5MHz TO 40MHz
 12-20LOG(f/80)dB MIN FROM 40.1MHz TO 100MHz
 CROSSTALK ATTENUATION: 35dB MIN FROM 0.5MHz TO 40MHz
 33-20LOG(f/50)dB MIN FROM 40.1MHz TO 100MHz
 COMMON MODE REJECTION RATIO (CMRR): 30dB MIN FROM 0.5MHz TO 100MHz
 ISOLATION VOLTAGE: 2250VDC(MAX) FOR 60 SECONDS WITH A RISE TIME OF
 500V/SEC AND WITH ALL PORTS CONNECTED.

- PART NUMBER, DATE CODE AND COUNTRY OF ORIGIN ARE LOCATED IN APPROXIMATE AREA SHOWN. DATE CODE "YY" IS YEAR, "WW" IS WORK WEEK, "D" IS DAY OF WEEK, WITH SUNDAY=1

- TRP LOGO AND AGENCY APPROVAL LOGO ARE LOCATED IN APPROXIMATE AREA SHOWN.

- OPERATING TEMP: FROM 0°C TO +70°C.

- RJ45 CAVITY CONFORMS TO FCC RULES AND REGULATION PART 68 SUBPART F.

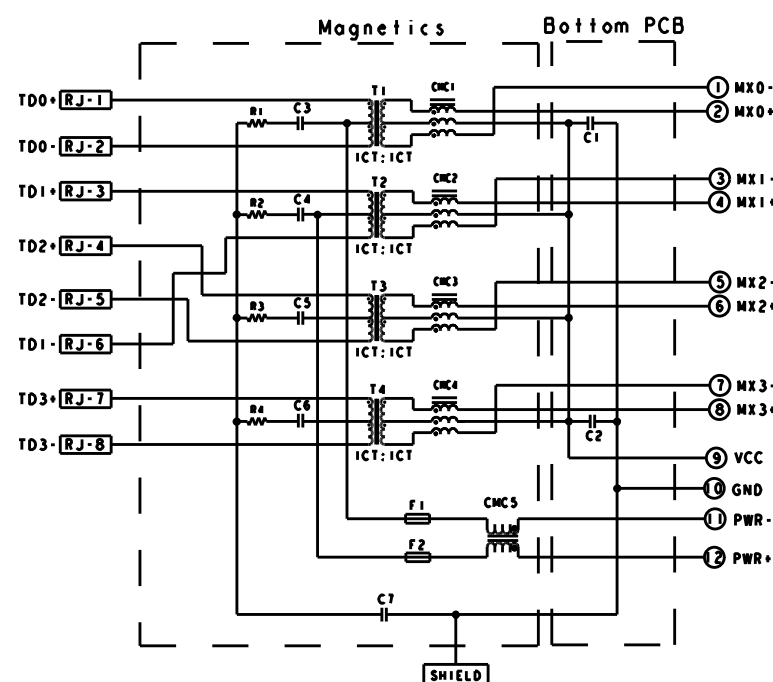
- INDICATED MAGNETIC CONNECTIONS ARE SYMMETRICAL AND SUPPORT AUTO-MDI/MDIX.

- DATUM AND BASIC DIMENSION ESTABLISHED BY CUSTOMER.

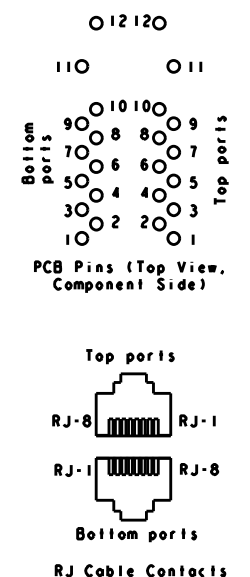
- BASIC DIMENSION ESTABLISHED BY CUSTOMER, BUT MAY NOT BE GREATER THAN 5.08mm.

- THE PARTS ARE RECOMMENDED FOR WAVE SOLDERING PROCESS, PEAK TEMPERATURE 260°C MAX, 10 SECONDS MAX.

S9HG63 GIGABIT PoE PLUS CIRCUIT
 Top and Bottom Ports



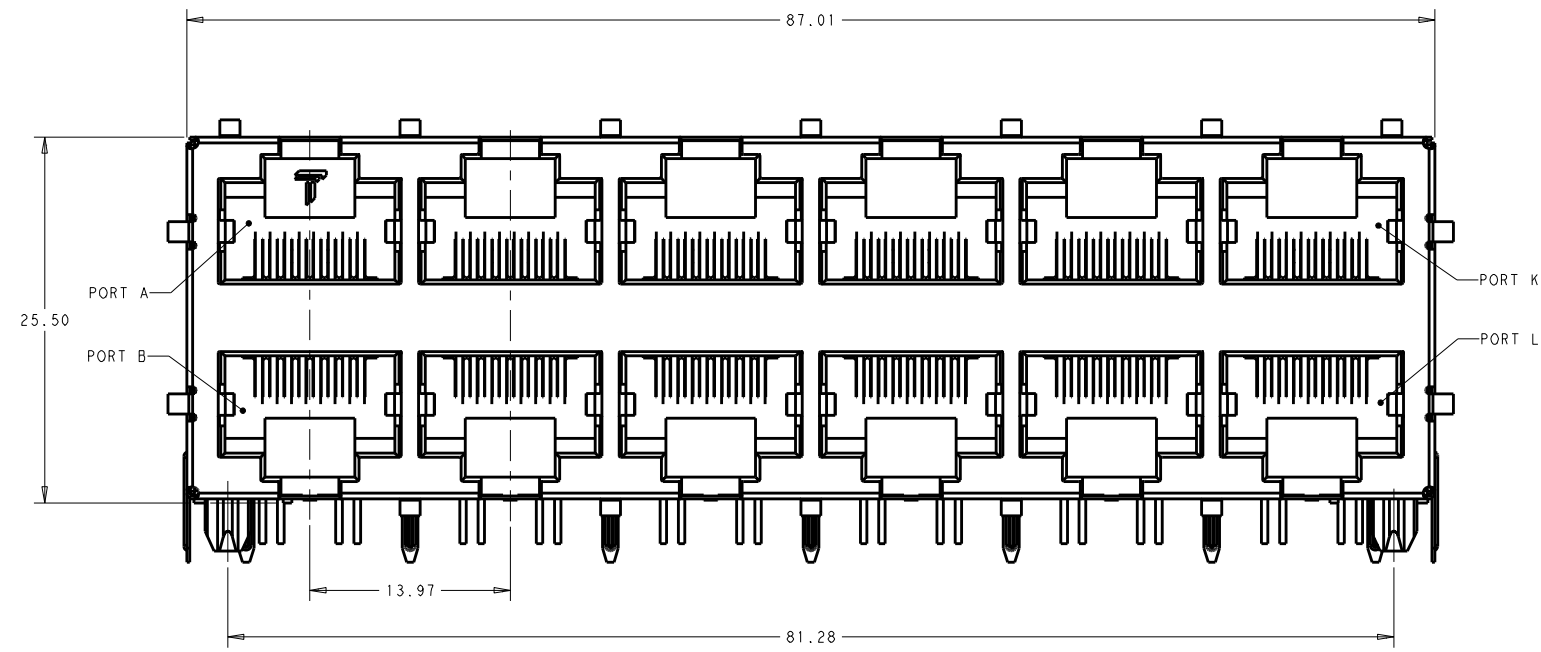
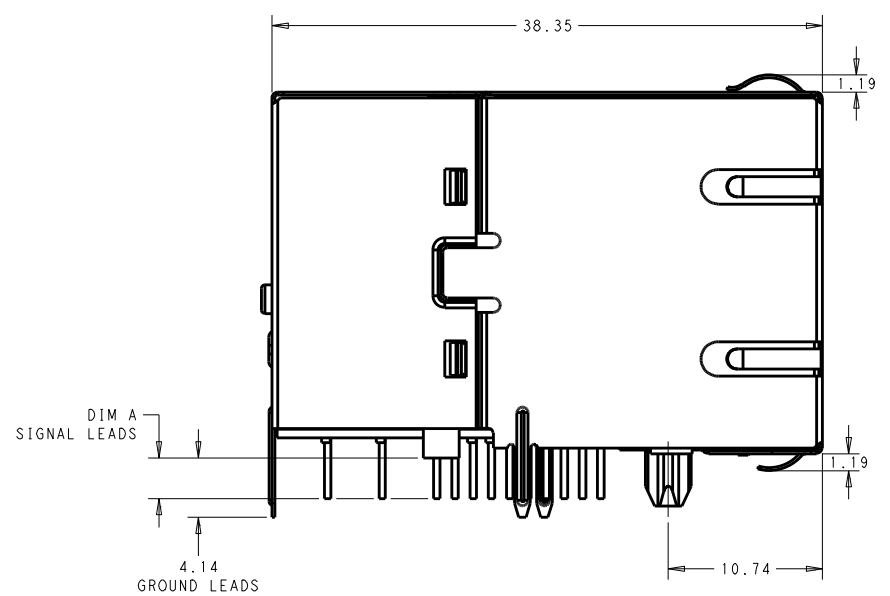
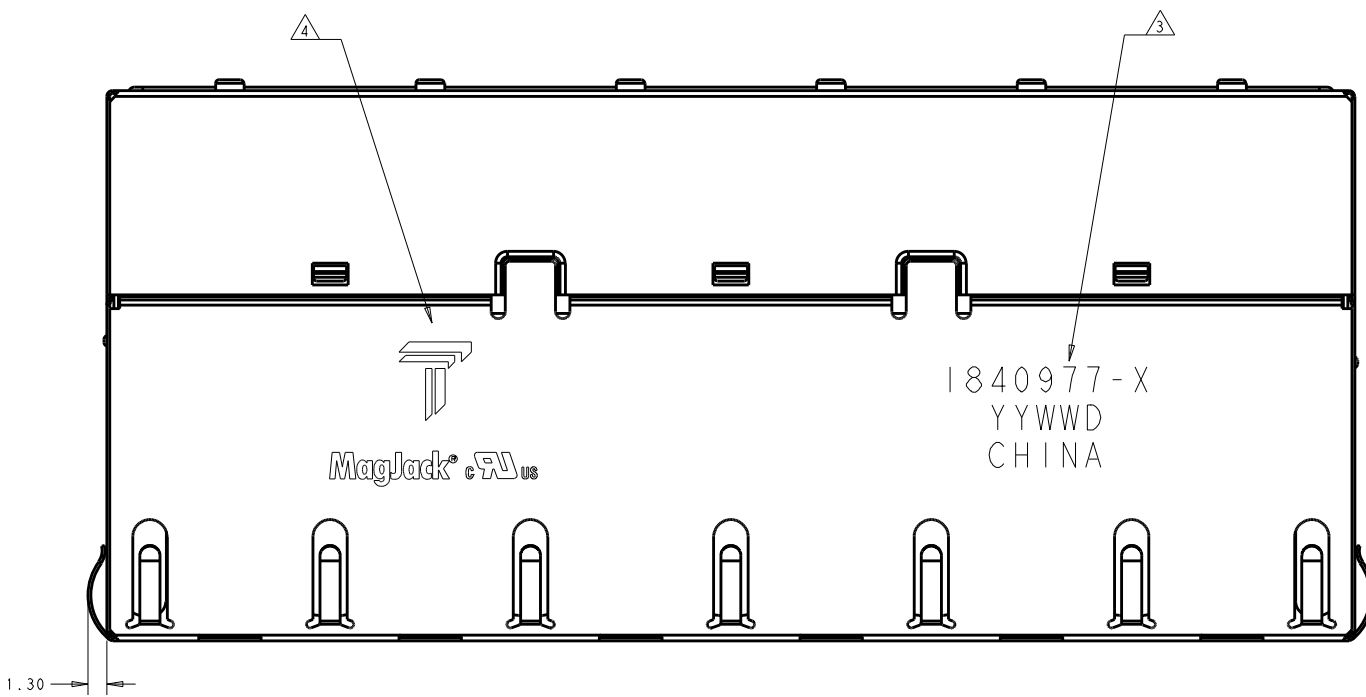
Pin Designations
 (Repeat for each vertical pair of ports)



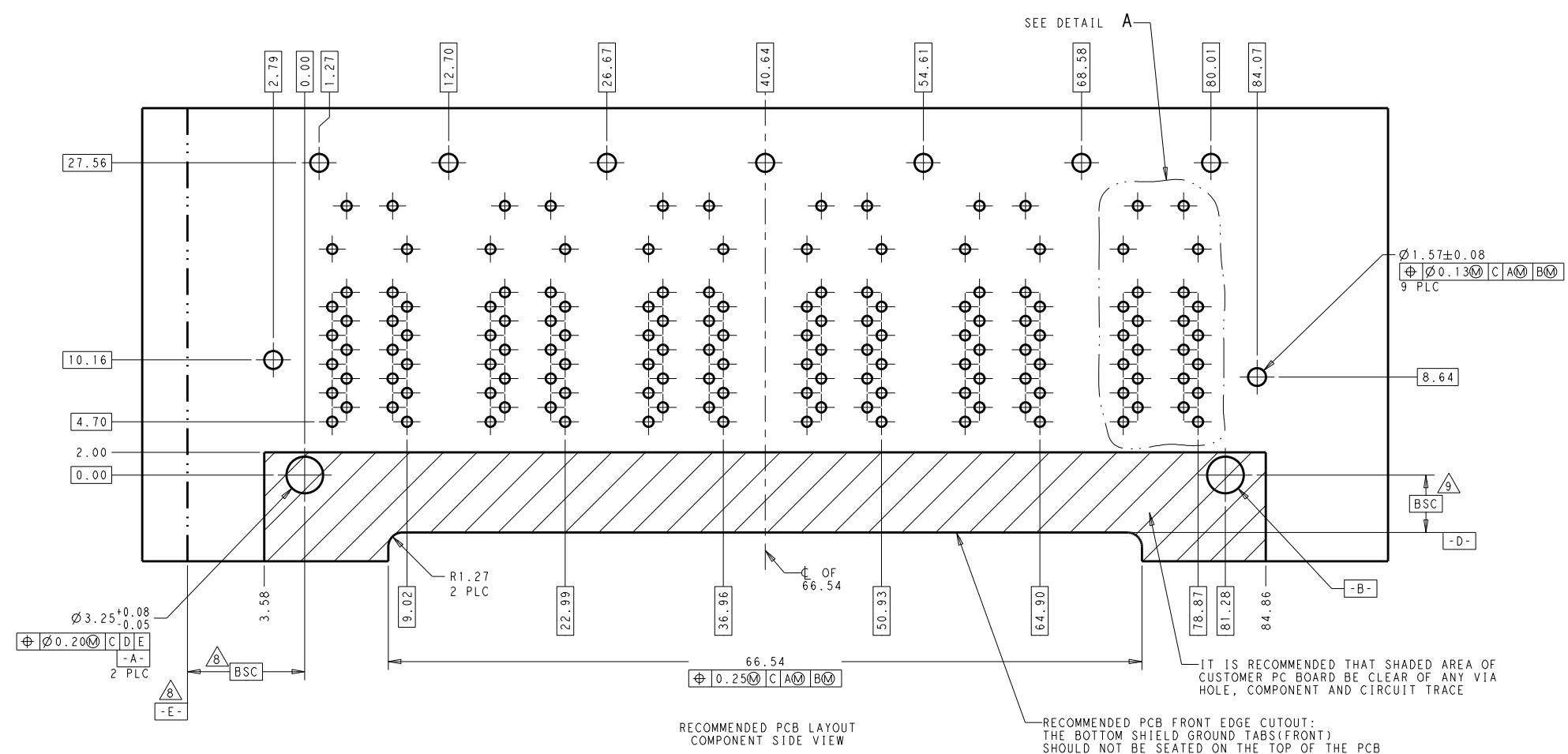
C1-C2=10nF, 50V, X7R,CAPACITORS
 C3-C6=22nF, 100V,CAPACITORS
 C7=1000PF, 3KV,CAPACITOR
 R1-R4=75Ohms, 1/16W,RESISTORS
 F1-F2=63V, 1.5A, FUSES

2.29	1840977-2
2.84	1840977-1
DIM A	PART NUMBER

THIS DRAWING IS A CONTROLLED DOCUMENT.		DRN TOMMY REN 11JUN2010	 trp CONNECTOR DONGGUAN CHINA
DIMENSIONS: mm		CHK TONY YUAN 11JUN2010	
TOLERANCES UNLESS OTHERWISE SPECIFIED:		APVD KELVIN ZHU 11JUN2010	
0 PLC ± 1 PLC ± 2 PLC ±0.25 3 PLC ± 4 PLC ±	MODEL NAME MAGJACK STACK PoE+	DESC 2X6 S9HG63 GIGABIT PoE+ W/O LED	SIZE A1
PRODUCT SPEC 108-104004	APPLICATION SPEC -	DRAWING NO 1840977	RESTRICTED TO -
CUSTOMER DRAWING		SCALE NTS	SHEET 1 OF 3 REV D

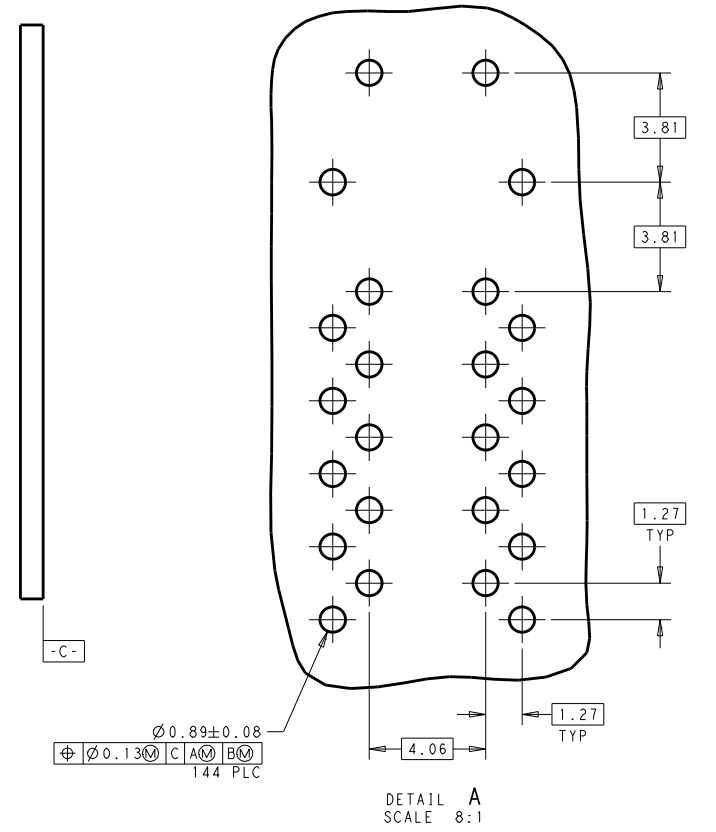


THIS DRAWING IS A CONTROLLED DOCUMENT.		DRN TOMMY REN 11JUN2010	trp CONNECTOR DONGGUAN CHINA
DIMENSIONS: mm		CHK TONY YUAN 11JUN2010	
TOLERANCES UNLESS OTHERWISE SPECIFIED:		APVD KEITH ZHU 11JUN2010	
0 PLC ± 1 PLC ± 2 PLC ±0.25 3 PLC ± 4 PLC ± ANGLES ±	PRODUCT SPEC 108-104004	MODEL NAME MAGJACK STACK PoE+	DESC 2X6 S9HG63 GIGABIT PoE+ W/O LED
APPLICATION SPEC		SIZE A1	RESTRICTED TO -
CUSTOMER DRAWING		SCALE NTS	SHEET 2 OF 3 REV D

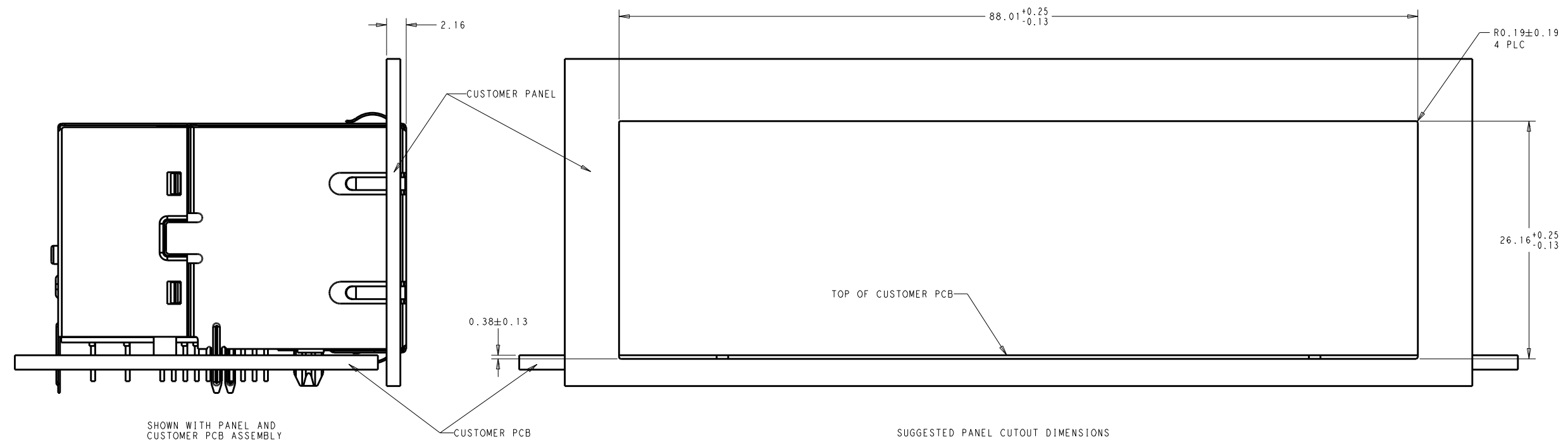


RECOMMENDED PCB LAYOUT COMPONENT SIDE VIEW

RECOMMENDED PCB FRONT EDGE CUTOUT: THE BOTTOM SHIELD GROUND TABS(FRONT) SHOULD NOT BE SEATED ON THE TOP OF THE PCB



DETAIL A SCALE 8:1



SUGGESTED PANEL CUTOUT DIMENSIONS

THIS DRAWING IS A CONTROLLED DOCUMENT.		DRN TOMMY REN 11JUN2010	 trp CONNECTOR DONGGUAN CHINA
DIMENSIONS: mm		CHK TONY YUAN 11JUN2010	
TOLERANCES UNLESS OTHERWISE SPECIFIED:		APVD KELVIN ZHU 11JUN2010	
0 PLC ± 1 PLC ± 2 PLC ±0.25 3 PLC ± 4 PLC ±	PRODUCT SPEC 108-104004 APPLICATION SPEC	MODEL NAME MAGJACK STACK PoE+	DESC 2X6 S9HG63 GIGABIT PoE+ W/O LED SIZE A1 CAGE CODE DRAWING NO 1840977 RESTRICTED TO
CUSTOMER DRAWING		SCALE NTS	SHEET 3 OF 3 REV D