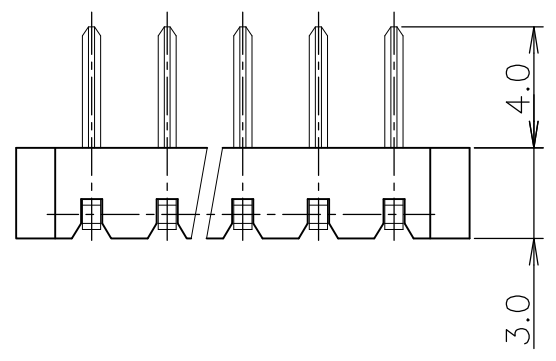
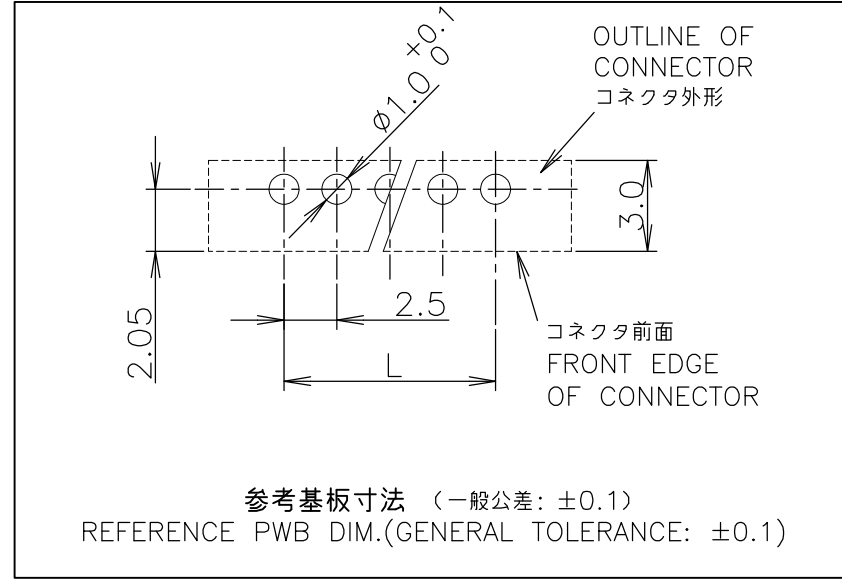
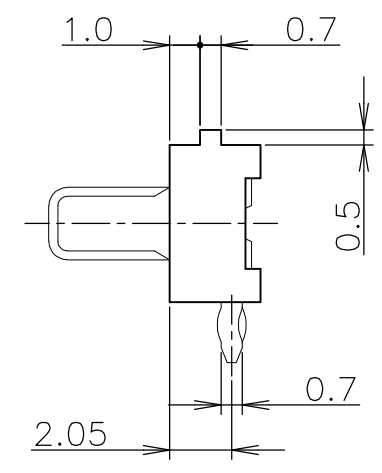
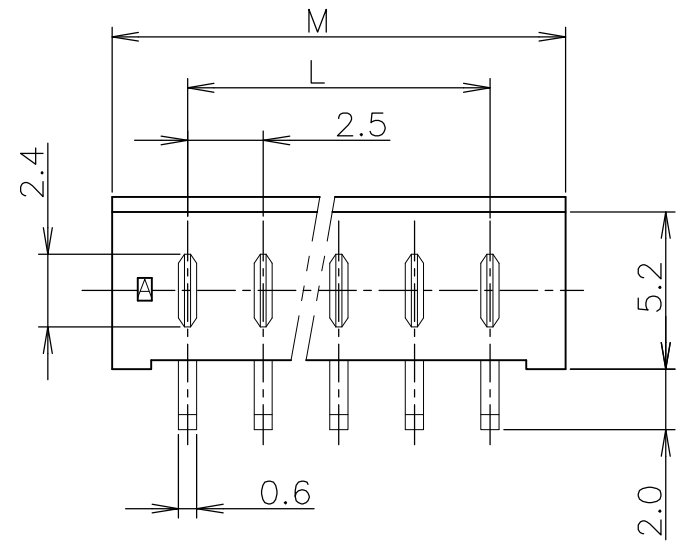


THIS DRAWING IS UNPUBLISHED. RELEASED FOR PUBLICATION AUG, 2004.  
 © COPYRIGHT 2004 BY TYCO ELECTRONICS CORPORATION. ALL RIGHTS RESERVED.

LOC	DIST	REVISIONS 変更					
P	LTR	DESCRIPTION	DATE	DWN	APVD		
J	/	0	RELEASED	FJB0-0700-04	05AUG04	H.T	K.I
		01	REVISED PER	ECO-10-000444	19JAN10	KK	HMR



1 一般公差 ±0.3  
 2 材質  
 ベース: 熱可塑性樹脂, 黒色  
 ポスト: 銅合金  
 全面: ニッケル下地めっき  
 接触部: 金めっき 0.1 μm MIN.  
 半田付け部: 金めっき

1 GENERAL TOLERANCE: ±0.3  
 2 MATERIALS  
 BASE: THERMOPLASTIC, BLACK  
 POST: COPPER ALLOY  
 0.1 μm MIN. GOLD  
 OVER NICKEL PLATE (CONTACT AREA)  
 Au PLATE OVER NICKEL PLATE (TAIL AREA)

3 OBSOLETE PARTS: OBSOLETE CIS STREAMLINING PER D.RENAUD/D.SINISI

6-6447143-3	3900076-06	6	12.5	17.5	
6-6447143-2	3900076-05	5	10.0	15.0	
6437118-5	3900076-04	4	7.5	12.5	
3 OBSOLETE 4-6447141-9	3900076-03	3	5.0	10.0	
PART NO. 型番	OLD PART NO. 旧型番	NO. OF POS. 極数	L 寸法	M SIZE	REMARK 備考

鉛フリー  
LEAD FREE

THIS DRAWING IS A CONTROLLED DOCUMENT.		DWN H.TAKASU 05AUG04	Tyco Electronics AMP K.K. Kawasaki, Japan		
DIMENSIONS: 単位: 耗 mm		CHK T.KIMURA 05AUG04			
TOLERANCES UNLESS OTHERWISE SPECIFIED: 一般公差		APVD K.IKEGAMI 05AUG04	NAME 名称		
0 PLC ± - 1 PLC ± - 2 PLC ± - 3 PLC ± - 4 PLC ± - ANGLES ± -		PRODUCT SPEC 製品規格 108-78126	BU CONNECTOR FS3 HEADER G TYPE		
MATERIAL 材料		FINISH 仕上	APPLICATION SPEC 取付適用規格	SIZE A3	CAGE CODE 00779
2		2	WEIGHT	DRAWING NO 番号 G-6437118-5	RESTRICTED TO
CUSTOMER DRAWING			SCALE 尺度 4:1	SHEET 1 OF 1	REV 01