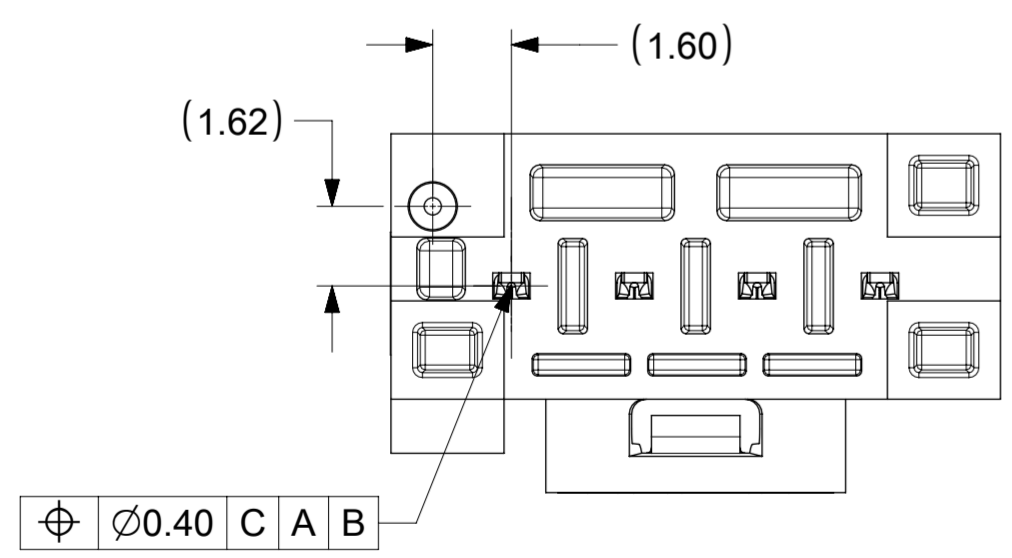
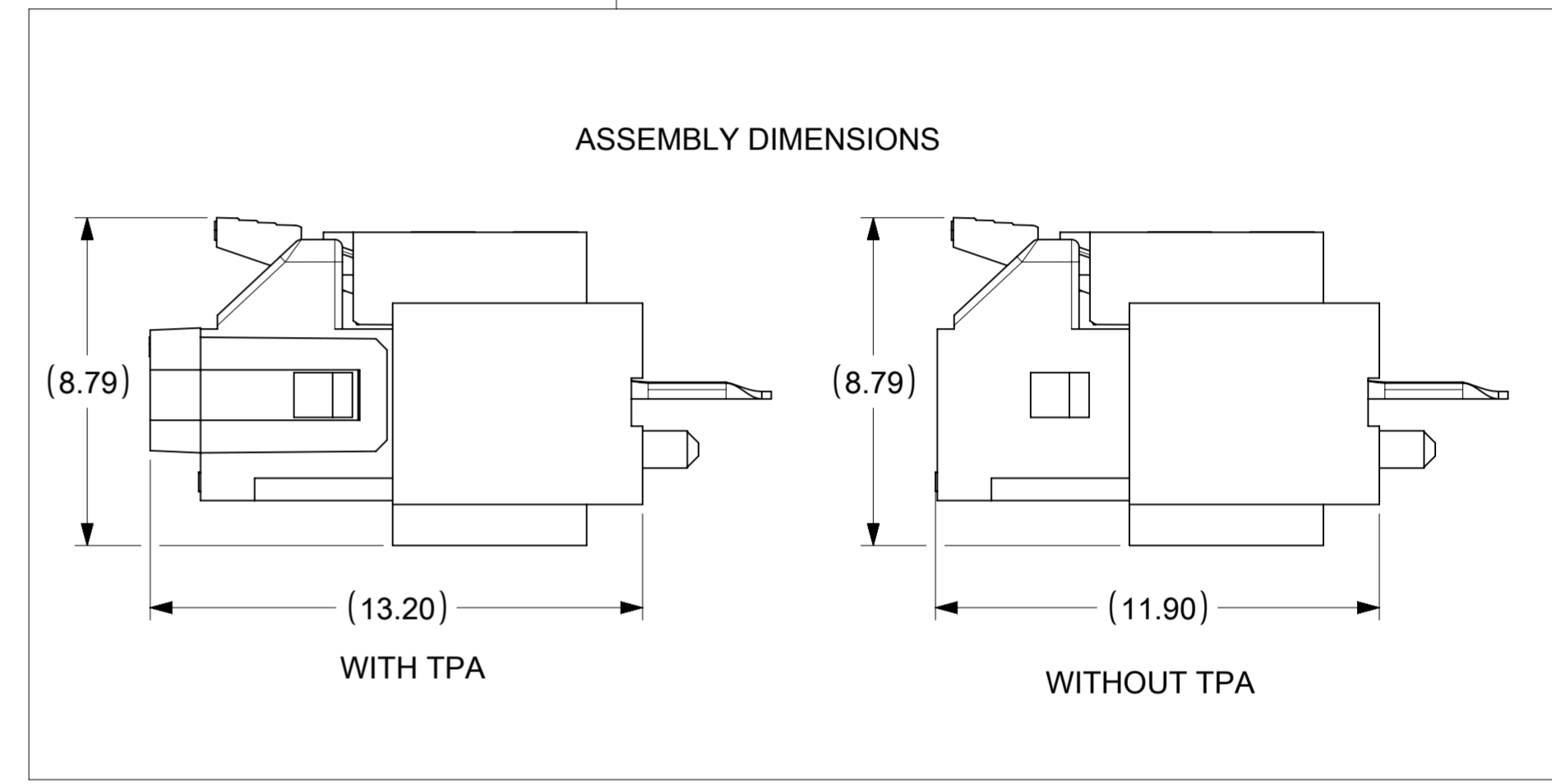
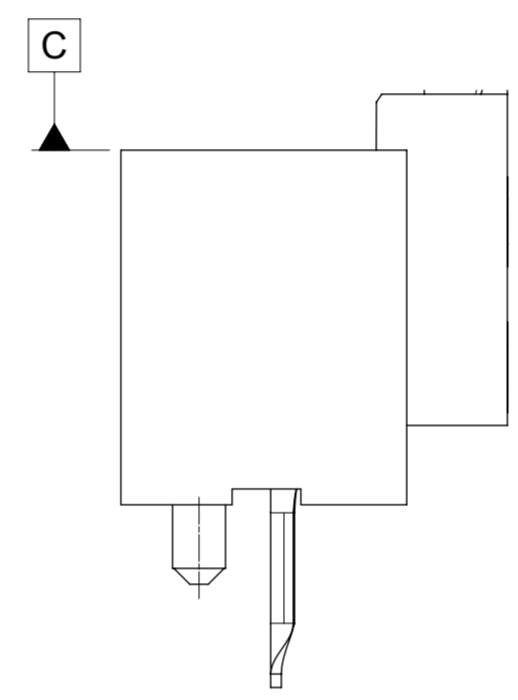
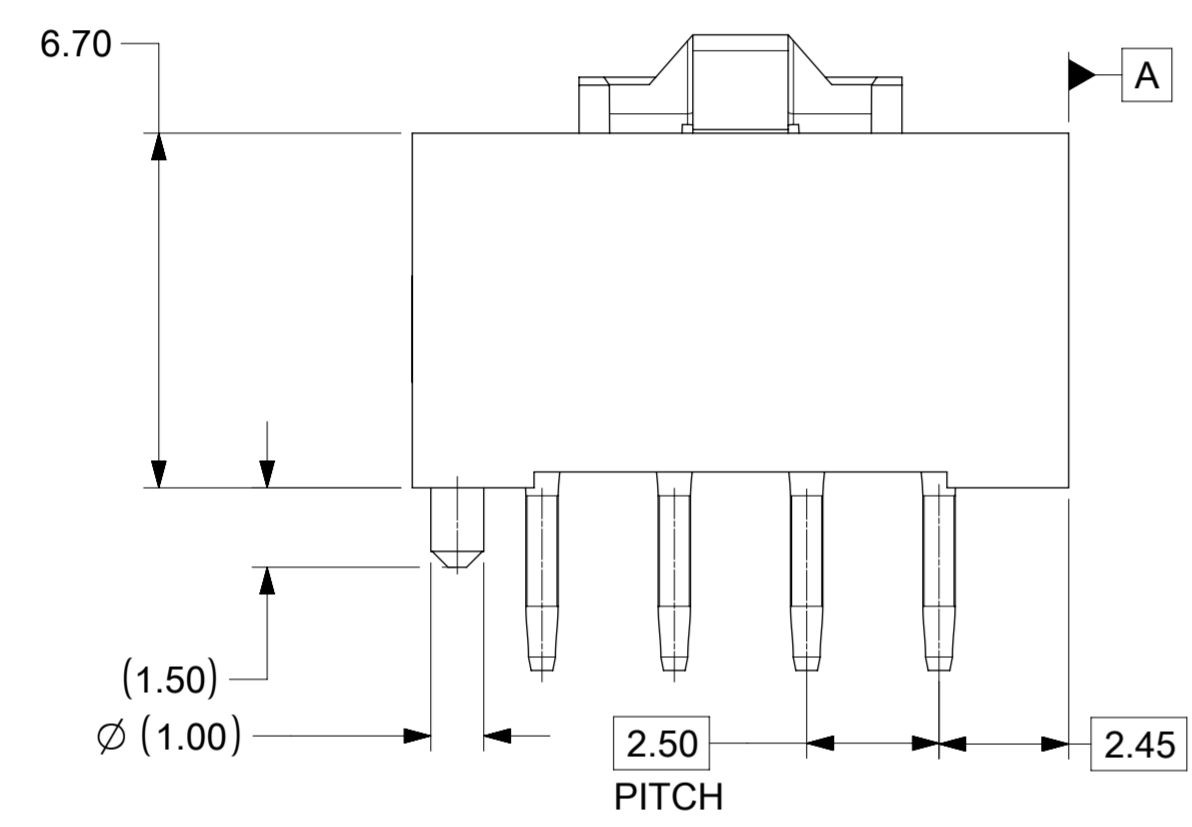


ISOMETRIC VIEW FOR
4 CKT HEADER ASSEMBLY



CKT SIZE	HEADER ASSEMBLY P/N	DIM. B
2	2078430002	8.00
3	2078430003	9.90
4	2078430004	12.40
5	2078430005	14.90
6	2078430006	17.40
7	2078430007	19.90
8	2078430008	22.40

- NOTES:
- MATERIAL:
 - HOUSING: LIQUID CRYSTAL POLYMER, RATED UL 94V-0, COLOUR - BLACK
 - TERMINAL: BRASS ALLOY PLATING: TIN OVER NICKEL OVERALL.
 - PRODUCT SPECIFICATION: 2079020001-PS
 - PACKAGING SPECIFICATION: 2078430000-PK
 - COSMETIC SPECIFICATION: PS-45499-002 CLASS B

SYMBOLS	THIS DRAWING CONTAINS INFORMATION THAT IS PROPRIETARY TO MOLEX ELECTRONIC TECHNOLOGIES, LLC AND SHOULD NOT BE USED WITHOUT WRITTEN PERMISSION		
	DIMENSION UNITS	SCALE	CURRENT REV DESC:
▽ = 0	mm	6:1	EC NO: 706742 DRWN: SHRUTJ 2022/04/20 CHK'D: SHRUTJ 2022/05/13 APPR: ISHWARG 2022/05/13 INITIAL REVISION: DRWN: SUDAYGUNAGI 2018/06/19 APPR: ISHWARG 2019/04/16
▽ = 0	GENERAL TOLERANCES (UNLESS SPECIFIED)		
▽ = 0	ANGULAR TOL ± °		
▽ = 0	4 PLACES ±		
▽ = 0	3 PLACES ±		PRODUCT CUSTOMER DRAWING DOCUMENT NUMBER: 2078430004-SD DOC TYPE: PSD DOC PART: 000 REVISION: A5
▽ = 0	2 PLACES ± 0.25		
▽ = 0	1 PLACE ± 0.3		MATERIAL NUMBER: 207843 CUSTOMER:
▽ = 0	0 PLACES ±		
▽ = 0	DRAFT WHERE APPLICABLE MUST REMAIN WITHIN DIMENSIONS	THIRD ANGLE PROJECTION	DRAWING: A2-SIZE SERIES: 207843 SHEET NUMBER: 1 OF 2



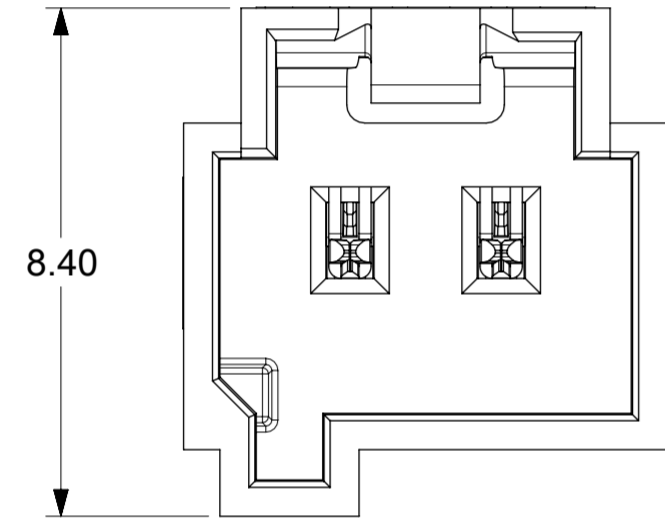
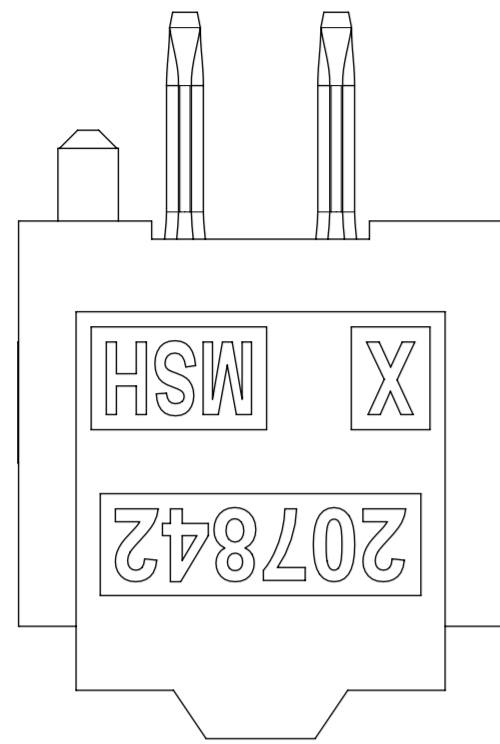
HEADER ASSEMBLY FOR KK PLUS 250

PRODUCT CUSTOMER DRAWING

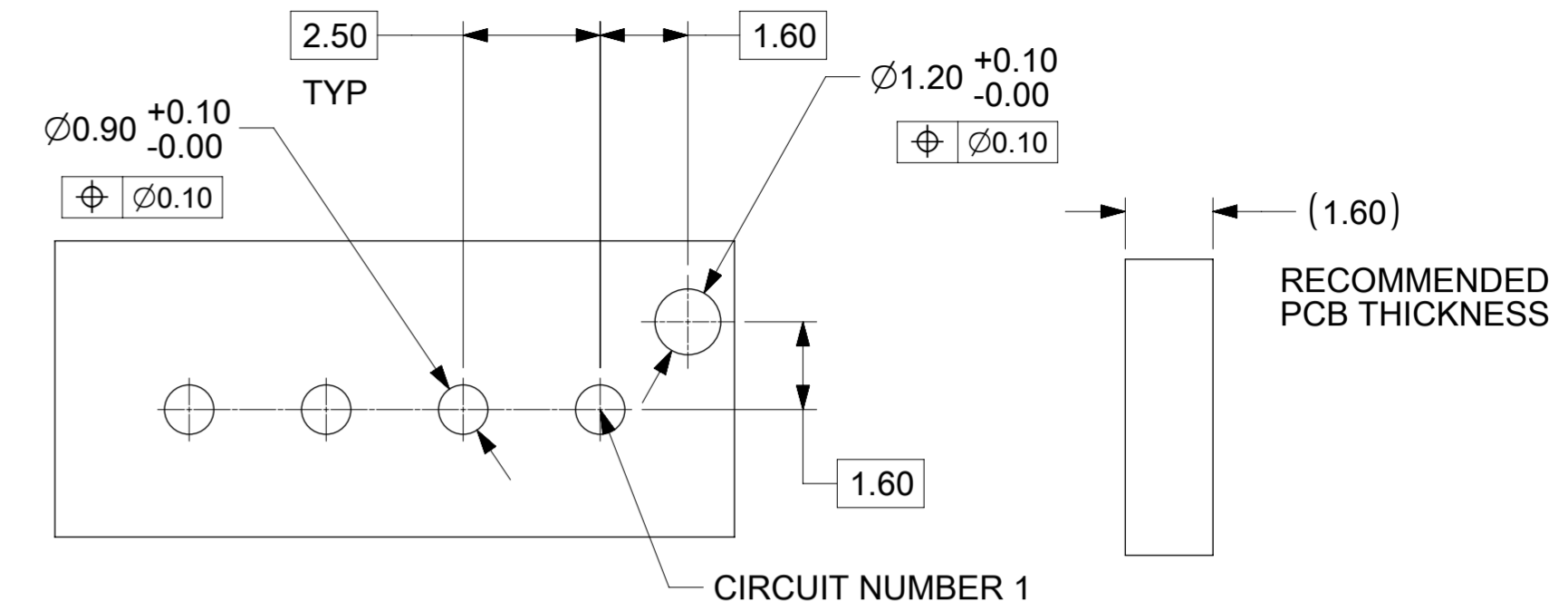
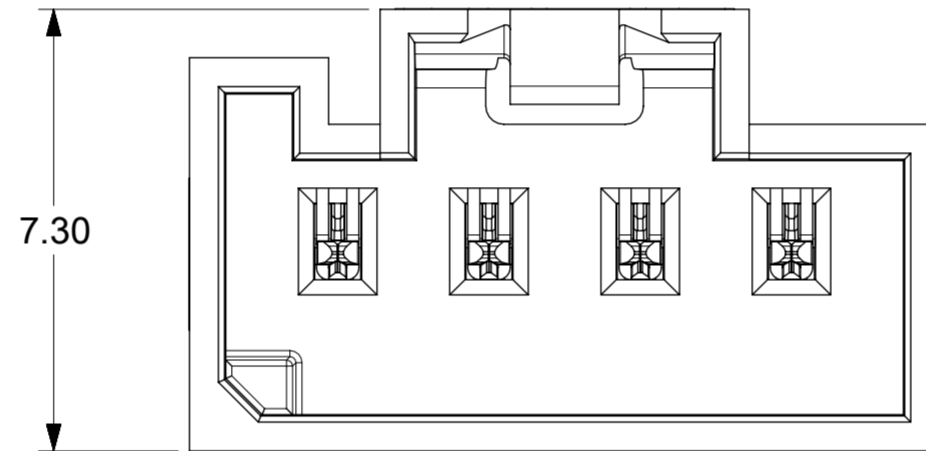
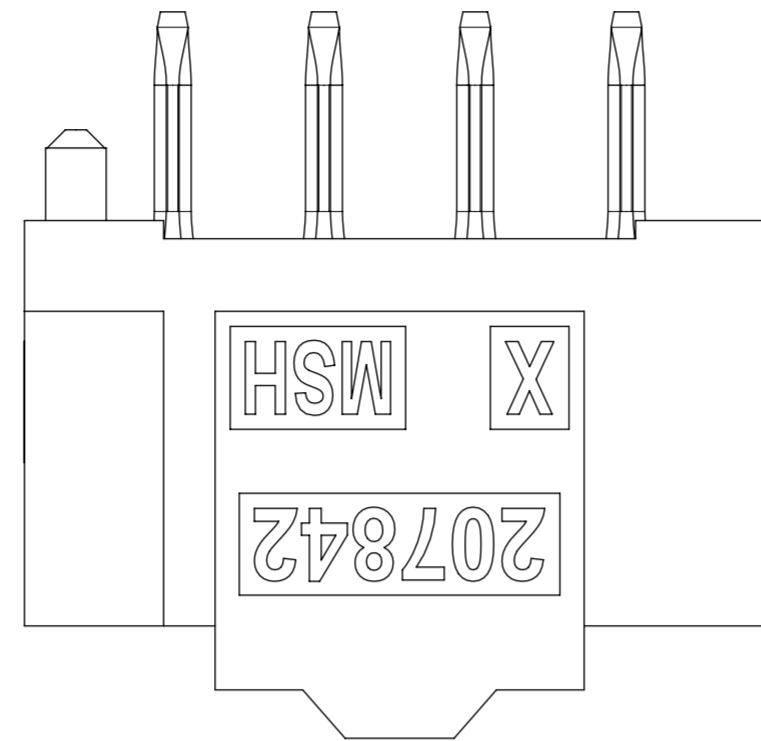
DOCUMENT NUMBER: 2078430004-SD
DOC TYPE: PSD
DOC PART: 000
REVISION: A5

POLARIZATION

2 & 3CKT

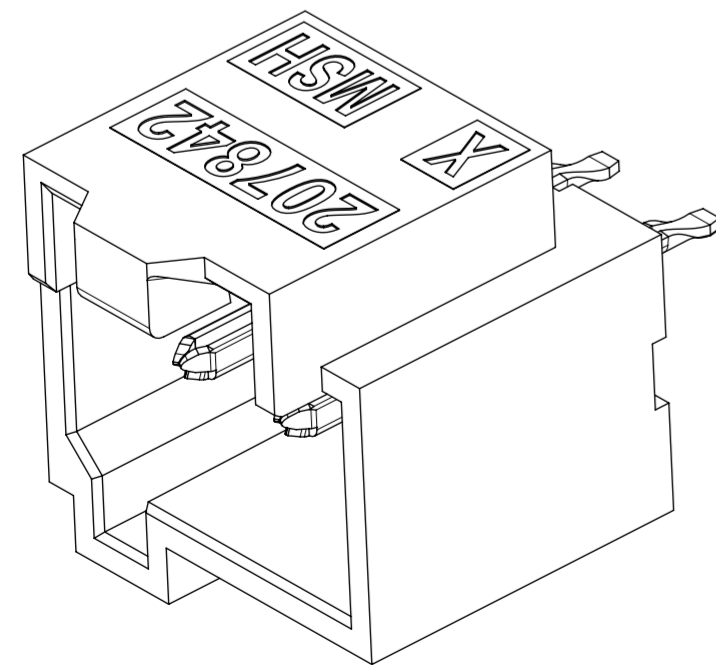


4 CKT TO 10 CKT

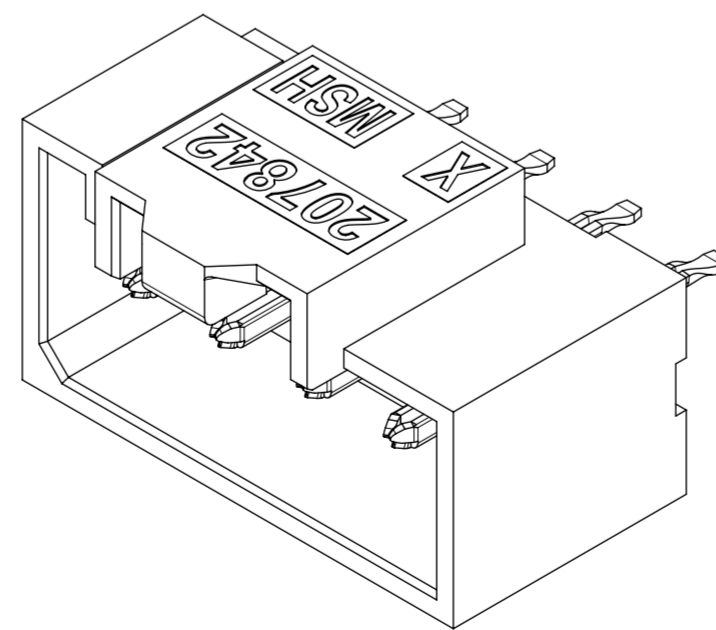


PCB LAYOUT FOR 4CKT HEADER ASSEMBLY
PCB LAYOUT VIEWED FROM THE MATING SIDE

ISOMETRIC VIEW FOR 2 & 3CKT



ISOMETRIC VIEW FOR 4 CKT TO 10 CKT



SYMBOLS										THIS DRAWING CONTAINS INFORMATION THAT IS PROPRIETARY TO MOLEX ELECTRONIC TECHNOLOGIES, LLC AND SHOULD NOT BE USED WITHOUT WRITTEN PERMISSION									
DIMENSION UNITS		SCALE		CURRENT REV DESC:															
mm		8:1		EC NO: 706742															
GENERAL TOLERANCES (UNLESS SPECIFIED)				DRWN: SHRUTJ 2022/04/20															
ANGULAR TOL ± °				CHK'D: SHRUTJ 2022/05/13															
4 PLACES ±				APPR: ISHWARG 2022/05/13															
3 PLACES ±				INITIAL REVISION:															
2 PLACES ± 0.25				DRWN: SUDAYGUNAGI 2018/06/19															
1 PLACE ± 0.3				APPR: ISHWARG 2019/04/16															
0 PLACES ±				DRAFT WHERE APPLICABLE MUST REMAIN WITHIN DIMENSIONS															
THIRD ANGLE PROJECTION				DRAWING		SERIES		DOCUMENT NUMBER		DOC TYPE		DOC PART		REVISION					
A2-SIZE				207843		207843		2078430004-SD		PSD		000		A5					
SHEET NUMBER				2 OF 2															



HEADER ASSEMBLY FOR KK PLUS 250

PRODUCT CUSTOMER DRAWING