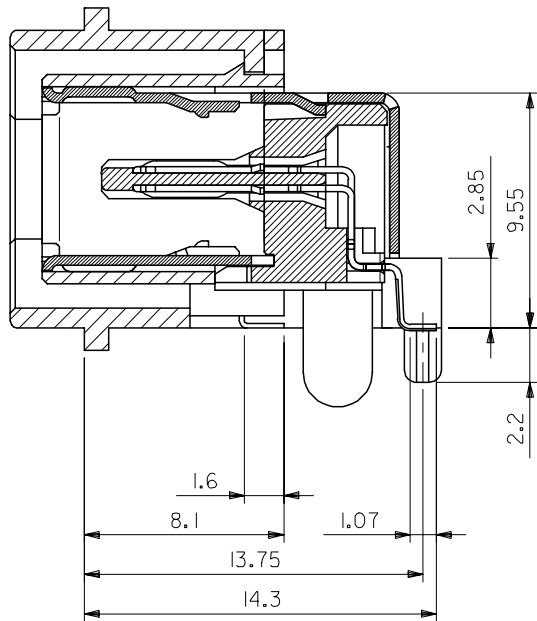


NOTE  
 1. MATERIAL  
 TERMINAL : BRASS (CONTACT : GOLD UNDER NICKEL)  
 (SOLDER TAIL : TIN UNDER NICKEL)  
 WAFER : 46NYLON  
 SHELL : PHOSPHOR BRONZE (TIN UNDER NICKEL)  
 MOLD CASE : 46NYLON  
 BRACKET : ZINC  
 NUT : STEEL  
 2. THIS PRODUCT IS LEAD FREE OF 55395-0611.

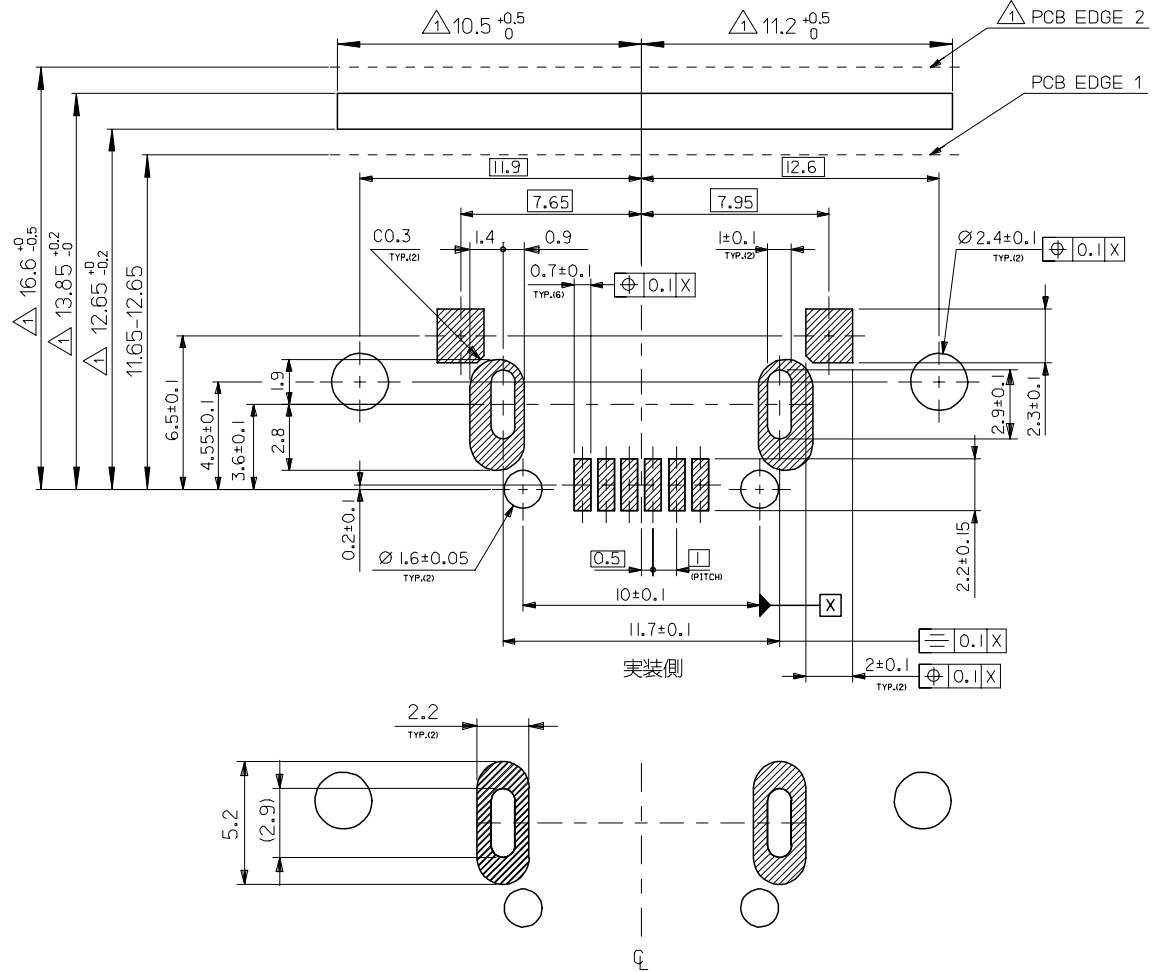
REVISED EC NO: J2006-0295 DRW: N. SUZUKI 2005/07/26 CHK: K. TOJO 2005/07/28 APPR: N. KITA 2005/08/02 REV A	GENERAL TOLERANCES (UNLESS SPECIFIED)		DIMENSION STYLE MM ONLY		MODEL NO. 55395-**19 MATERIAL NO. 55395-0619	
	10 UNDER ±0.2 10 OVER 30 UNDER ±0.25 30 OVER ±0.3	10 UNDER ±0.2 10 OVER 30 UNDER ±0.25 30 OVER ±0.3	DRAWN BY HKAWABATA DATE 04/05/24 CHECKED BY KTOJO DATE 04/05/24 APPROVED BY MSASAO DATE 04/05/24	TITLE IEEE 1394 SOCKET WITH LOCK SOCKET ASSEMBLY -LEAD FREE- MOLEX INCORPORATED	SCALE --- DESIGN UNITS METRIC THIRD ANGLE PROJECTION	DOCUMENT NO. SD-55395-004 SHEET NO. 1 OF 2
	ANGULAR ±3 ° DRAFT WHERE APPLICABLE MUST REMAIN WITHIN DIMENSIONS		MATERIAL NO. SEE CHART SIZE A3		THIS DRAWING CONTAINS INFORMATION THAT IS PROPRIETARY TO MOLEX INCORPORATED AND SHOULD NOT BE USED WITHOUT WRITTEN PERMISSION	
	55395-0619					

注記

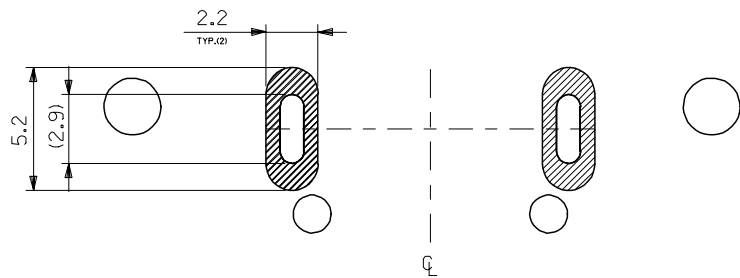
△ PCB EDGE2 を使用する場合、  
フランジ逃げ穴を開けること。



断面図



実装側



基板参考寸法

MODEL NO. 55395-\*\*-19

REVISED EC NO: J2006-0295 DRW: ESUZUKI 2005/07/26 CHK: KATOJO 2005/07/28 APPR: NUKITA 2005/08/02 REV A	GENERAL TOLERANCES (UNLESS SPECIFIED)		DIMENSION STYLE MM ONLY		SCALE ---	DESIGN UNITS METRIC	THIRD ANGLE PROJECTION	
	10 UNDER	± 0.2	DRAWN BY	DATE	TITLE			
	10 OVER 30 UNDER	± 0.25	HKAWABATA	04/05/24	IEEE 1394 SOCKET WITH LOCK SOCKET ASSEMBLY -LEAD FREE-			
	30 OVER	± 0.3	CHECKED BY	DATE	MOLEX INCORPORATED			
	ANGULAR	± 3 °	KTOJO	04/05/24	MATERIAL NO. DOCUMENT NO. SHEET NO.			
DRAFT WHERE APPLICABLE MUST REMAIN WITHIN DIMENSIONS		APPROVED BY MSASAO 04/05/24		SEE CHART SD-55395-004		2 OF 2		