

# Customer Information Sheet

DRAWING No.: M50-490XX45

SHEET 2 OF 2

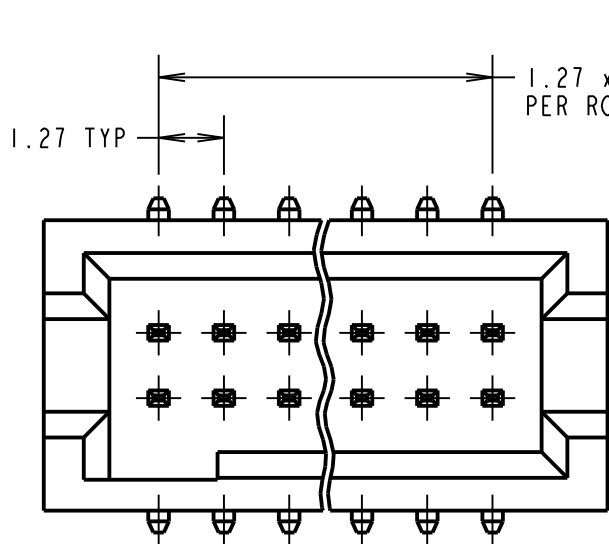
IF IN DOUBT - ASK

©

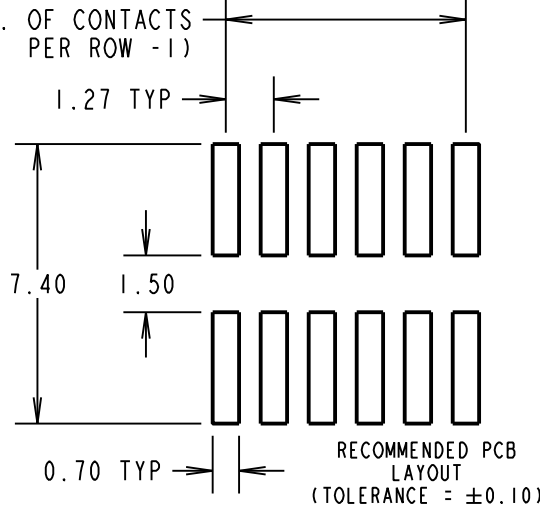
NOT TO SCALE

THIRD ANGLE PROJECTION

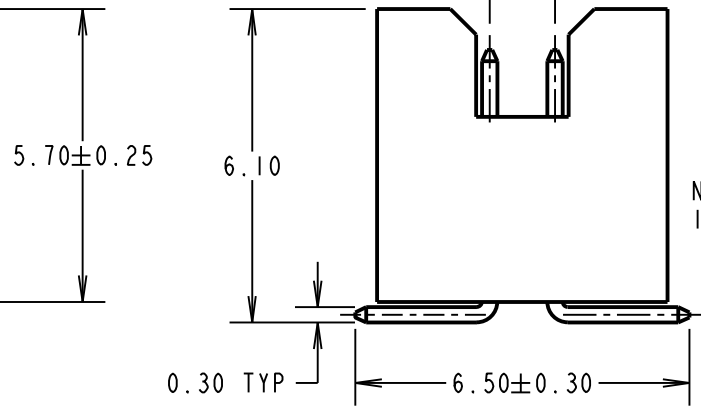
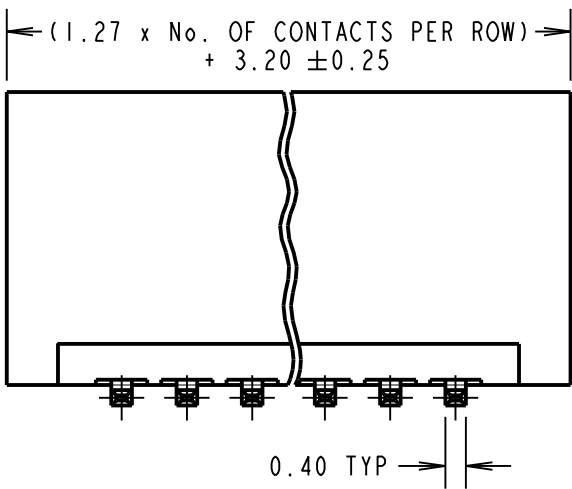
ALL DIMENSIONS IN mm



**Active products:**  
M50-4900545  
M50-4900745  
M50-4900845  
M50-4901045  
M50-4901245  
M50-4901445  
M50-4901545  
M50-4902045  
M50-4902545



**SPECIFICATIONS:**  
**MATERIAL:**  
MOULDING = LCP UL94V-0, BLACK  
CONTACT = COPPER ALLOY  
**FINISH:**  
CONTACT = GOLD  
**ELECTRICAL:**  
CURRENT RATING = 1A  
VOLTAGE PROOF = 300V AC/DC  
CONTACT RESISTANCE = 20mΩ MAX  
INSULATION RESISTANCE = 1,000MΩ MIN  
**MECHANICAL:**  
DURABILITY = 100 CYCLES MIN  
**ENVIRONMENTAL:**  
OPERATING TEMPERATURE = -40°C TO +105°C  
**PACKING:**  
TUBE  
FOR COMPLETE SPECIFICATION, SEE COMPONENT SPECIFICATION C029XX (LATEST ISSUE)



**ORDER CODE:**  
**M50-490XX45**  
No. OF CONTACTS PER ROW: 05 TO 50  
FINISH: GOLD ALL OVER CONTACT

**OBSOLETE**  
All other size/finish combinations not listed above

**NOTE:**  
1. ALL TOLERANCES ARE ±0.15, UNLESS OTHERWISE STATED.

SB	8	27.08.13	11873
NAME	ISS.	DATE	C/NOTE
APPROVED:		S.BENNETT	
CHECKED:		S.FLOWER	
DRAWN:		J. ENRIGHT	
CUSTOMER REF.:			
ASSEMBLY DRG:			



www.harwin.com  
technical@harwin.com

THIS DRAWING AND ANY INFORMATION OR DESCRIPTIVE MATTER SET OUT HEREON ARE CONFIDENTIAL AND COPYRIGHT PROPERTY OF THE HARWIN GROUP AND MUST NOT BE DISCLOSED, LOANED, COPIED OR USED FOR MANUFACTURING, TENDERING OR FOR ANY OTHER PURPOSE WITHOUT THEIR WRITTEN PERMISSION.

**TOLERANCES**  
X = ±1mm  
X.X = ±0.25mm  
X.XX = ±0.10mm  
X.XXX = ±0.01mm  
ANGLES = ±5°  
UNLESS STATED

**MATERIAL:**  
SEE ABOVE  
**FINISH:**  
SEE ABOVE  
**S/AREA:** mm<sup>2</sup>

**TITLE:**  
1.27mm PITCH DIL SMT PIN HEADER ASSY  
**DRAWING NUMBER:**  
**M50-490XX45**  
**SHT** 2 **OF** 2