

Ratings

Voltage: 150 V
 Temperature: -40~70 °C

Conductor

Conductor count: 10
 Gauge: 22 AWG 0.33 mm²
 Material: Tinned copper strands
 Strand size: $\varnothing 0.08 \times 65$
 Resistance at 20 °C: 59.4 Ω /km Max

Insulator

Material: HDPE
 Color: black, white, red, yellow, blue, green, orange, purple, gray, brown
 Diameter: $\varnothing 1.25 \pm 0.10$ mm
 Nominal thickness: 0.24 mm
 Resistance at 20 °C: 100 M Ω /km Min

Wrap

Material: cotton paper

Filler

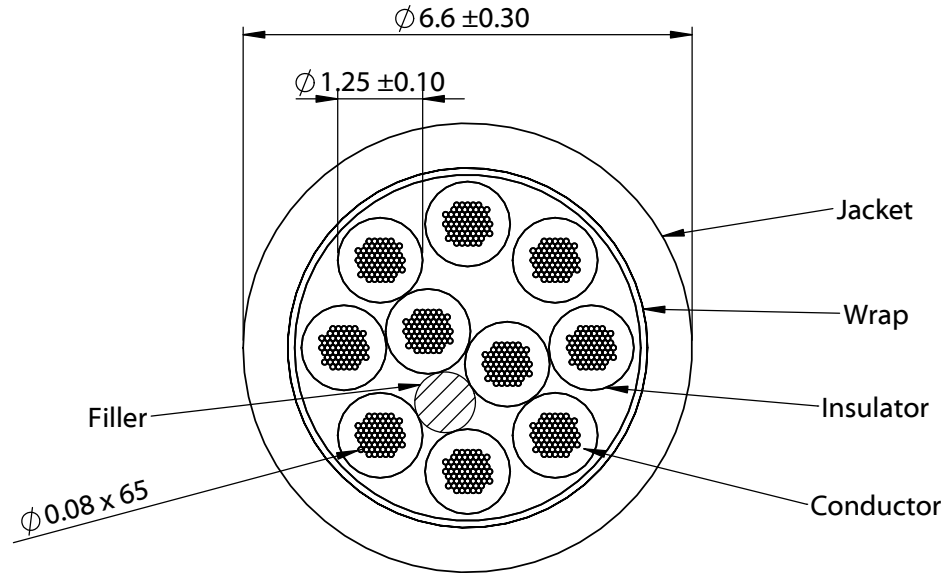
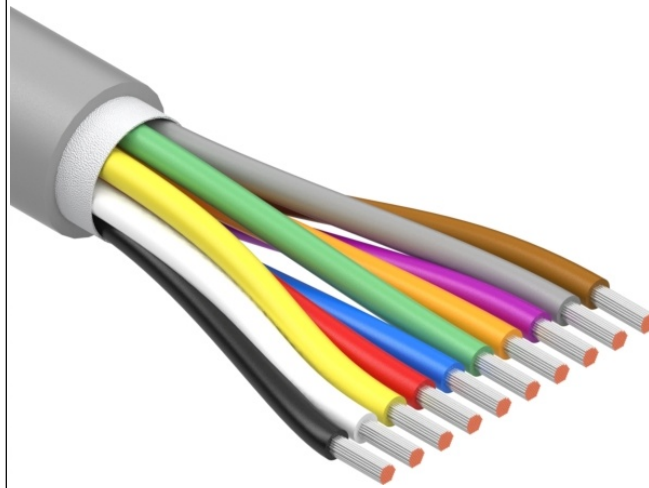
Material: aramid fiber

Outer jacket

Material: TPU
 Color: gray
 Diameter: $\varnothing 6.6 \pm 0.30$ mm
 Nominal thickness: 0.70 mm

Tests

Tensile strength: 26 kgf min
 Dielectric test: 1500 V dc for 1 minute without breakdown
 Bend test at 200 g, $\pm 60^\circ$, 30 cycles /min: 15,000 cycle minimum



| | | |
|-----------|-----------|-----------------|
| Revision: | Date: | Description: |
| A | 8/24/2022 | Initial release |
| | | |
| | | |
| | | |

Prepared:
PB
Digitally signed by PB
 Date: 2022.09.12
 12:25:04 -07'00'

Verified:
MP
Digitally signed by MP
 Date: 2022.09.20
 09:52:16 -07'00'

Dimensions are in millimeters.
 Tolerances:
 X: ± 0.5 mm
 X.X: ± 0.3 mm
 X.XX: ± 0.05 mm

Notes:

RoHS compliant
 Jacket meets ISO 10993 Biological Compatibility
 Phthalate and halogen free
 Function test: no open, no short, no intermittent

Description:
 Wire, 10C TS, 22 AWG, 150V, 70C, 6.6 mm, TPU, 75A, gray, WBL

TENSILITY

tel 1.541.323.3228 800 877.670.7118
 fax 1.541.323.4202 web tensility.com

| | |
|------------|--------------|
| Size: | Part number: |
| A | 30-02768 |
| Scale: 9:1 | Sheet 1 of 1 |