

THIS DRAWING IS UNPUBLISHED.

RELEASED FOR PUBLICATION

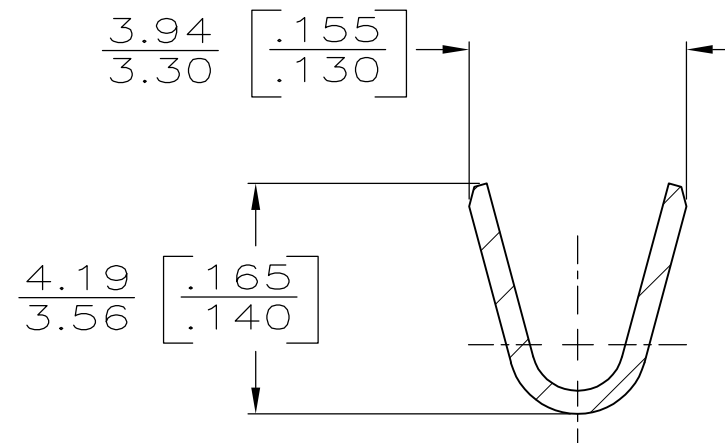
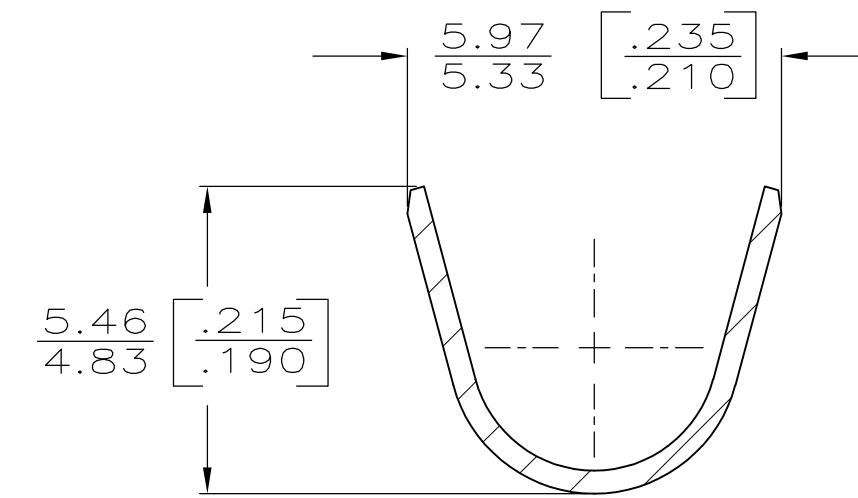
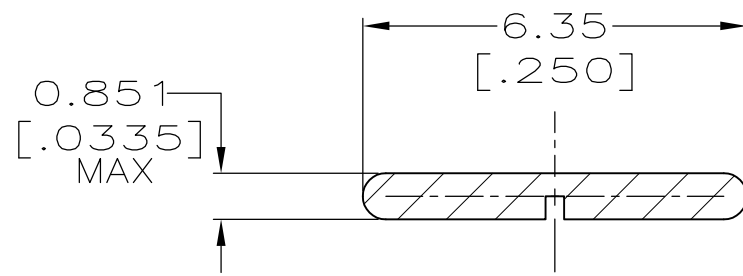
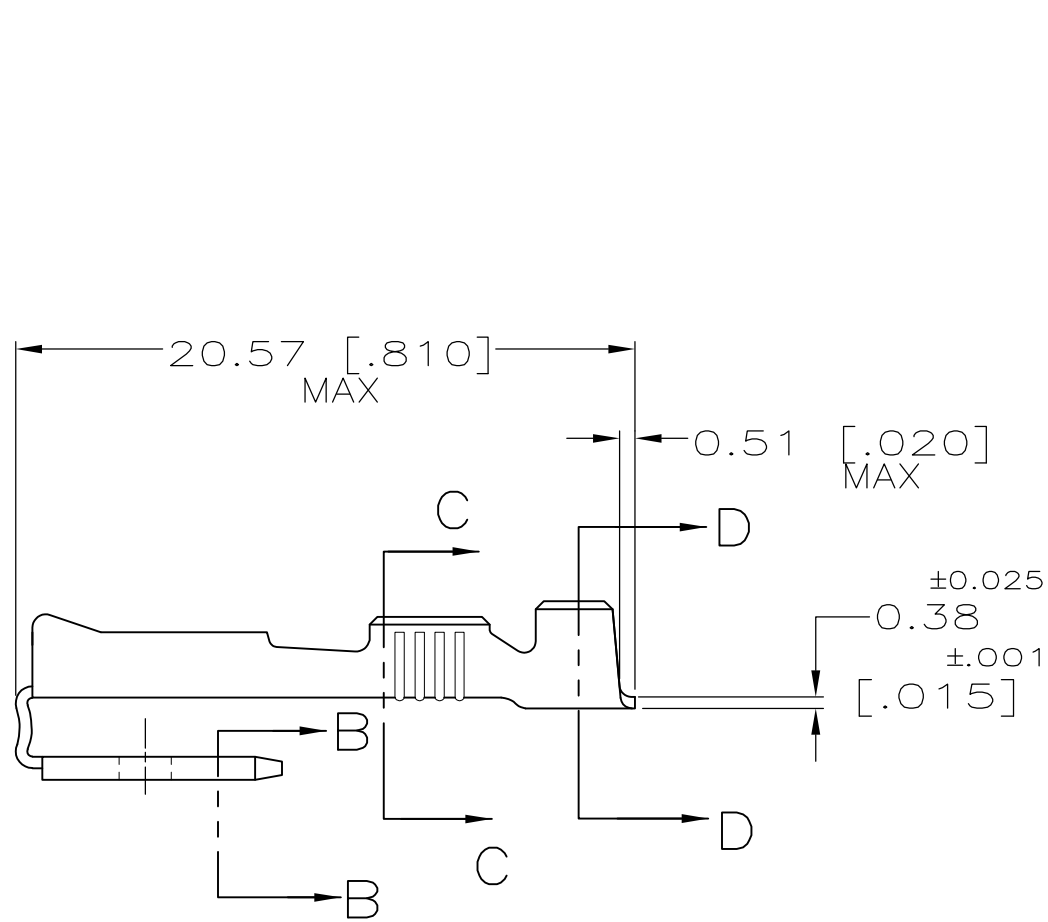
ALL RIGHTS RESERVED.

LOC AF DIST 50

REVISIONS

P	LTR	DESCRIPTION	DATE	DWN	APVD
	B	REVISED PER ECR-12-013445	18OCT12	KH	PD

1 SUPPLIED IN LOOSE PIECE.



3.05-4.32 DIA [.120-.170] DIA	[#18-#14] AWG	TIN	60279-2
INSUL RANGE	WIRE SIZE	-	60279-1
		FINISH	PART NO

THIS DRAWING IS A CONTROLLED DOCUMENT.		DWN JR RUTH 11/17/93	TE Connectivity				
DIMENSIONS: mm [INCHES]		CHK MS FEHER 11/17/93					
TOLERANCES UNLESS OTHERWISE SPECIFIED:		APVD J GILLESPIE 11/17/93					
0 PLC ± - 1 PLC ± - 2 PLC ± 0.25 [.010] 3 PLC ± - 4 PLC ± - ANGLES ± -		NAME					
MATERIAL BRASS		FINISH SEE TABLE	RECEPTACLE, FASTON, 6.35 [.250] SERIES				
		APPLICATION SPEC 114-2036	SIZE A3	CAGE CODE 00779	DRAWING NO C-60279	RESTRICTED TO -	
		WEIGHT -	CUSTOMER DRAWING		SCALE 4:1	SHEET 1 OF 1	REV B