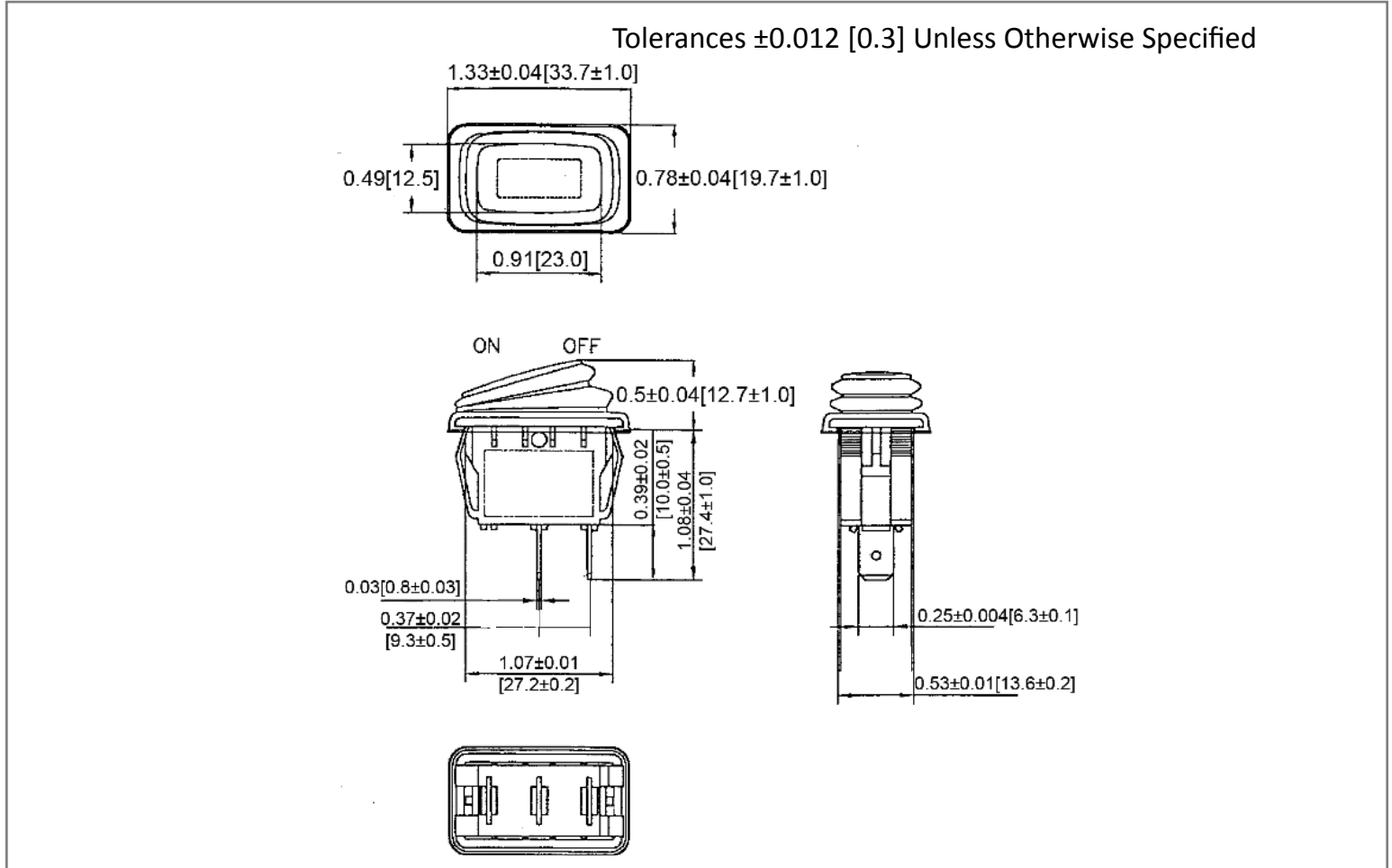
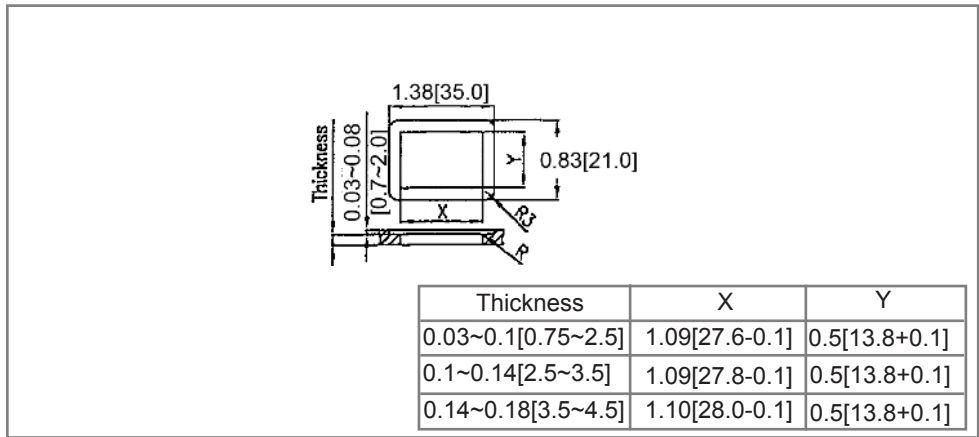


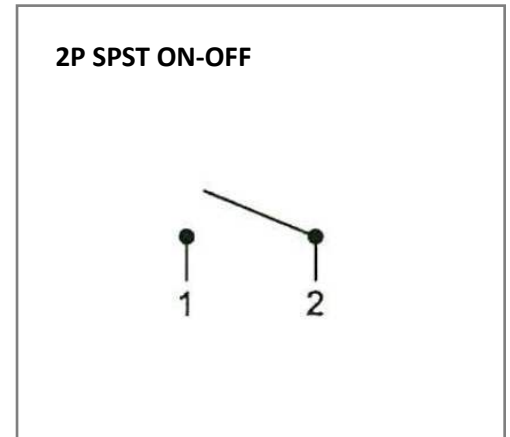
Mechanical Dimensions: Inches [mm]



Mounting Hole



Circuit Diagram



Electrical Specifications

Rating	20A 12V DC, 10A 24V DC	Frame	Black, Nylon 66
Contact Resistance	50m ohm Max.	Actuator	Blue, Nylon#66+30%GF
Insulation Resistance	DC 500V 100M ohm Min.	Terminals	Silver Plated, Copper Alloy
Dielectric Strength	AC 1500V 1 minute		IP65
Operation Temperature	-25° C-85° C		

Rev	Date of issue	Revision Notes	Designed	Approved
B	05-04-2020	Initial Drawing	RC	OF