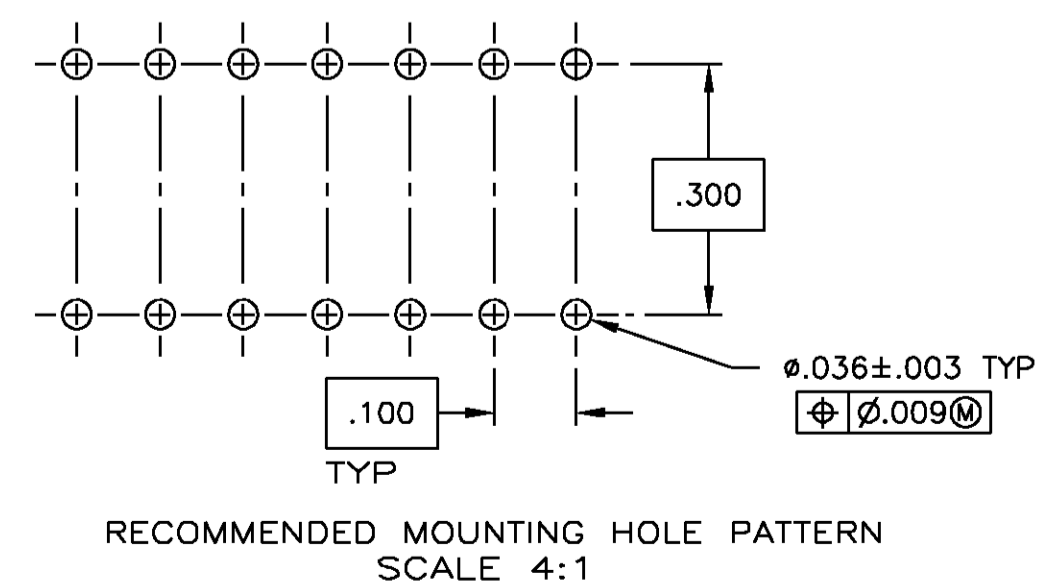
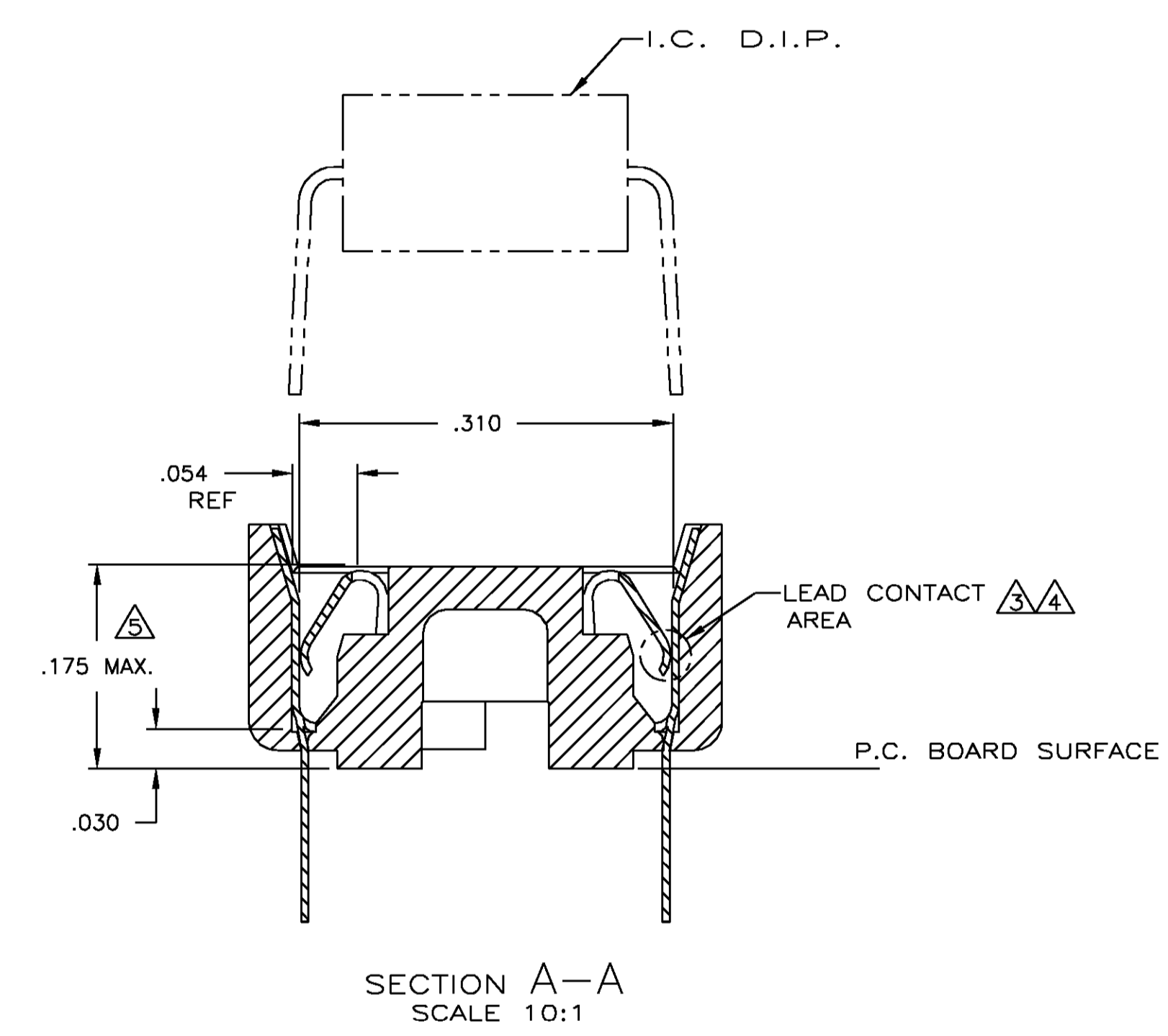
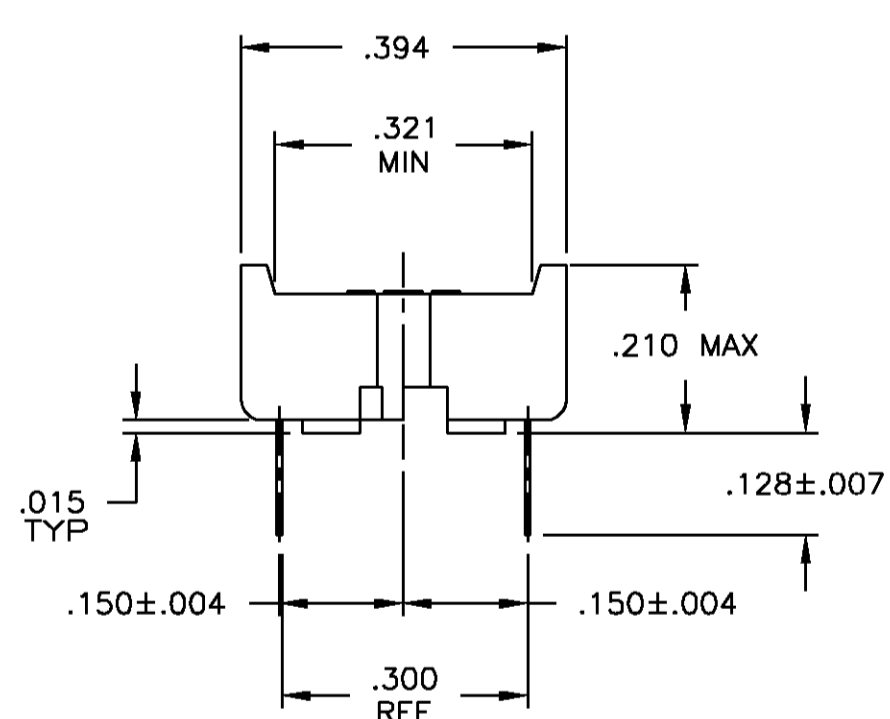
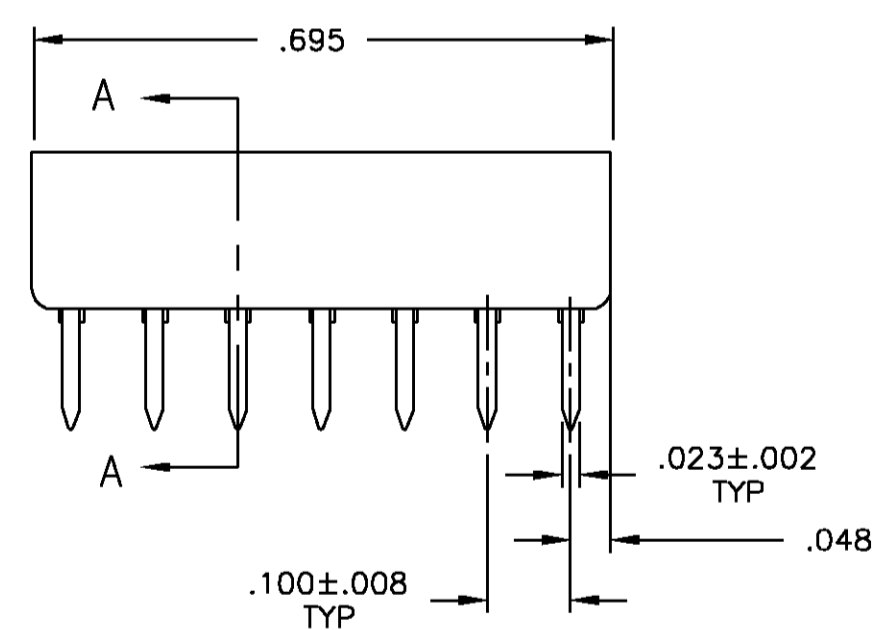
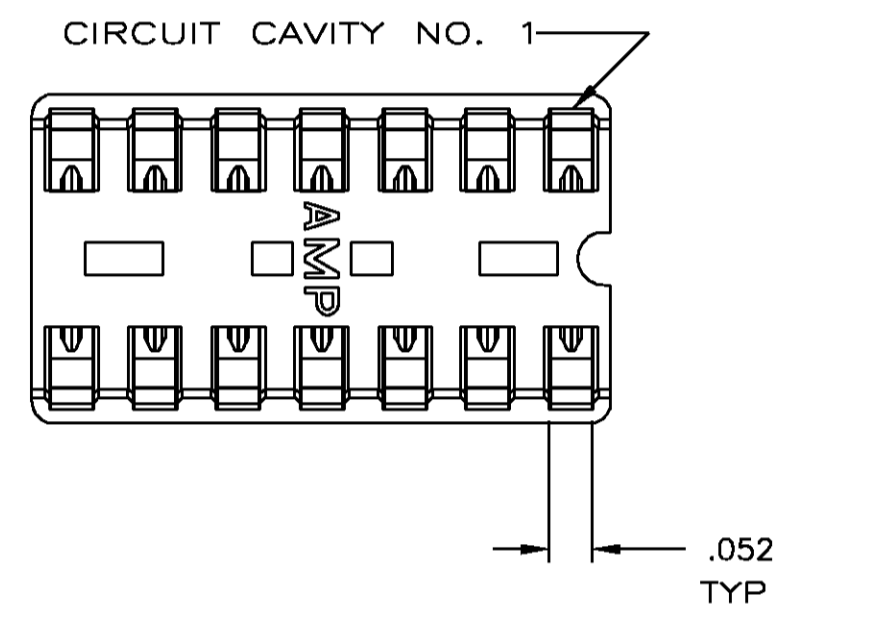


- RECEPTACLE ACCEPTS A .008-.014 THICK I.C. LEAD.
- TUBE LOADED FOR AUTOMATIC INSERTION.
- TWO .000030 MIN THK. GOLD STRIPES IN CONTACT AREA WITH TIN-LEAD (93/7) ON CONTACT LEGS, BALANCE OF CONTACT NICKEL PLATED.
- TWO .000015 MIN THK. GOLD STRIPES IN CONTACT AREA WITH TIN-LEAD (93/7) ON CONTACT LEGS, BALANCE OF CONTACT NICKEL PLATED.
- MAXIMUM DIMENSION FOR I.C. SEATING PLANE.



SUPSD BY 390261-3	TINNED	PHOS.BRZ. .006 THK	GLASS-FILLED THERMOPLASTIC, 94V-0, BLACK	2-640357-4
OBSOLETE		PHOS.BRZ. .006 THK	GLASS-FILLED THERMOPLASTIC, 94V-0, BLACK	2-640357-3
SUPSD BY 390261-3	TINNED	BE.CU. .006 THK	GLASS-FILLED THERMOPLASTIC, 94V-0, BLACK	2-640357-2
		BE.CU. .006 THK	GLASS-FILLED THERMOPLASTIC, 94V-0, BLACK	2-640357-1

CONTACT FINISH	CONTACT MAT'L	HOUSING MATERIAL	PART NO.

THIS DRAWING IS A CONTROLLED DOCUMENT.		DATE	BY	APP'D
		20 FEB 87	R MILLER	
		20 FEB 87	J LAMBERT	
		NAME		
		R MILLER		
		J LAMBERT		
		PRODUCT SPEC		
		108-1066		
		APPLICATION SPEC		
		114-1049		
		SIZE	CAGE CODE	DRAWING NO
		A1	00779	640357
		RESTRICTED TO		
		SCALE	SHEET	REV
		5:1	1	7

AMP 4805 REV 31MAR2000

21AUG00