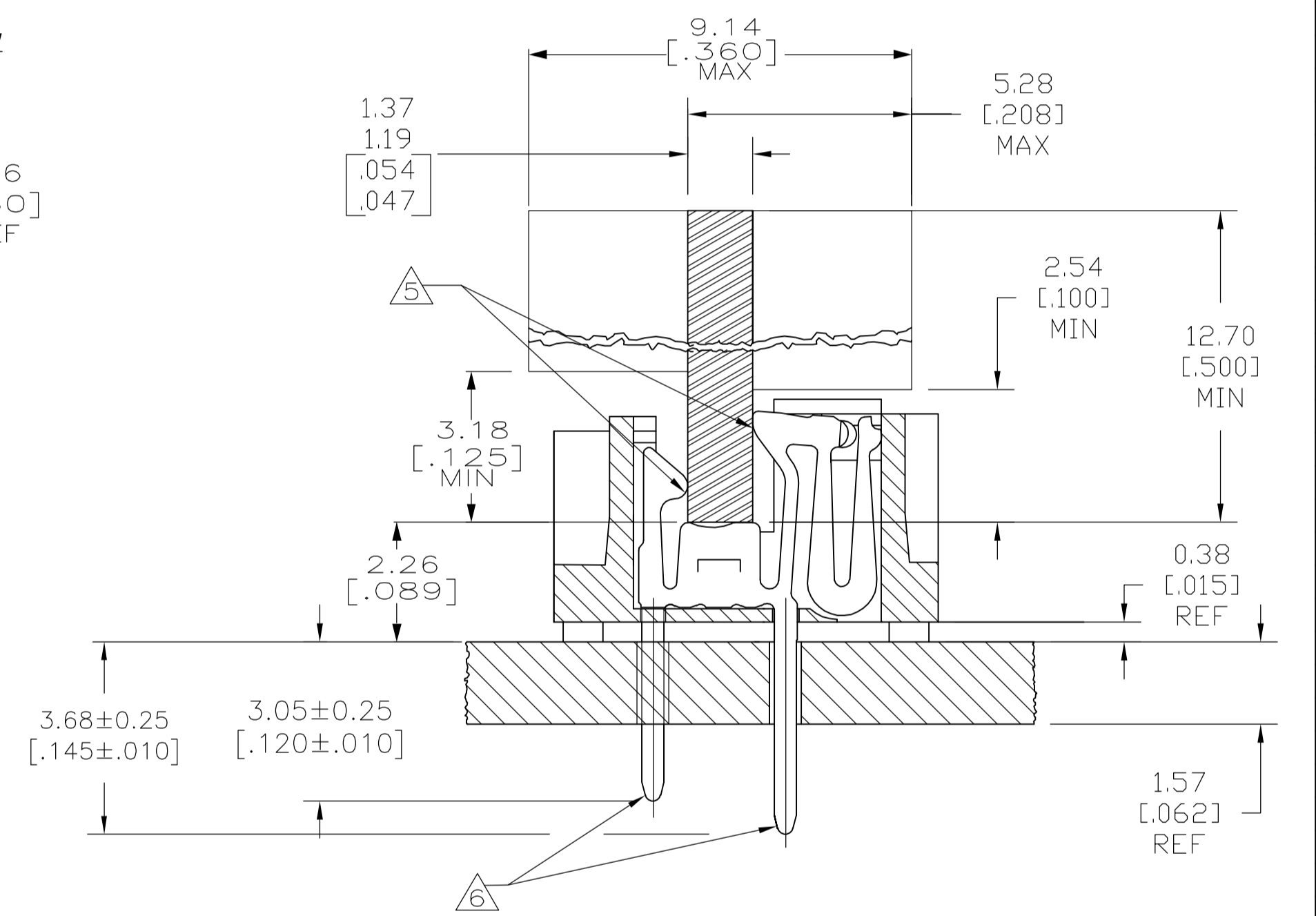


- △ HOUSING-MATERIAL : LIQUID-CRYSTAL-POLYMER, COLOR:NATURAL.
- △ CONTACT-MATERIAL : PHOS. BRONZE.
- △ LATCH-MATERIAL : BRASS, NICKEL PLATE.
- △ CONTACT-PLATE 0.00127 [0.00050] MIN NICKEL ALL OVER.
- △ CONTACT-PLATE 0.00076[0.00030] MIN. GOLD AT CONTACT PTS.
- △ CONTACT SOLDER-TAILS-PLATE 0.00508[0.00200] MIN TIN/LEAD.
- 7. IN ADDITION TO THOSE RECOMMENDED "SIMM" P.C. BOARD DIMENSIONS AND TOLERANCES SHOWN, ALL JEDEC SPECIFICATIONS APPLY AS SHOWN ON MO-116, ISSUE A.
- 8. RECOMMENDED MATING S.I.M.M. TAB METALLURGY:
 BASE METAL-COPPER. PLATING TO BE 0.00076[0.00030] MIN GOLD OVER 0.00127[0.00050] MIN NICKEL.
- △ OBSOLETE.
- △ DATE CODE: (YEAR WEEK) XXXX FORMAT, LOCATED APPROXIMATELY AS SHOWN ON OPPOSITE SIDE.



	F	E	D	C	B	A	NO OF POSN	PART NO
W/OUT CENTER POST	67.31[2.650]	60.55[2.384]	35.56[1.400]	24.13[0.950]	74.93[2.950]	54.61[2.150]	40	△ 821997-6
WITH CENTER POST	67.31[2.650]	60.55[2.384]	35.56[1.400]	24.13[0.950]	74.93[2.950]	54.61[2.150]	40	△ 821997-5
	118.11[4.650]	111.35[4.384]	60.96[2.400]	49.53[1.950]	125.73[4.950]	105.41[4.150]	80	△ 821997-4
	107.95[4.250]	101.19[3.984]	55.88[2.200]	44.45[1.750]	115.57[4.550]	95.25[3.750]	72	821997-3
	102.87[4.050]	96.11[3.784]	53.34[2.100]	41.91[1.650]	110.49[4.350]	90.17[3.550]	68	△ 821997-2
	97.79[3.850]	91.03[3.584]	50.80[2.000]	39.37[1.550]	105.41[4.150]	85.09[3.350]	64	△ 821997-1

THIS DRAWING IS A CONTROLLED DOCUMENT.		DIN	SJANOS		Tyco Electronics Corporation Harrisburg, PA 17105-3608	
DIMENSIONS: mm [INCHES]		DRW	SJANOS		NAME	SIZE
TOLERANCES UNLESS OTHERWISE SPECIFIED:		CHK	SJANOS	NAME	SCALE	DRAWING NO
0 PLC	± -	APPD	SJANOS	NAME	WEIGHT	00779C=821997
1 PLC	± -	PRODUCT SPEC				
2 PLC	± -	APPLICATION SPEC				
3 PLC	± 0.13[0.005]					
4 PLC	± -					
ANGLES	± -					
MATERIAL	FINISH					
CUSTOMER DRAWING		SCALE		SHEET		REV
		4:1		1 of 1		