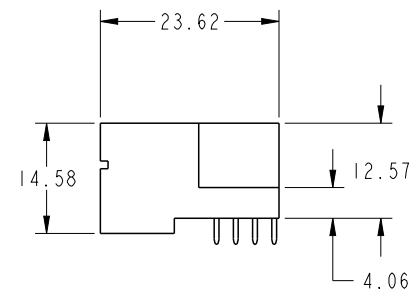
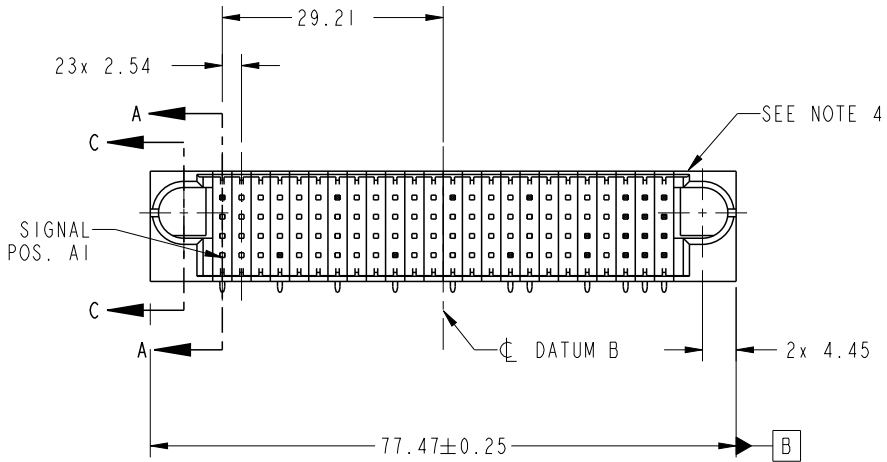


PRODUCT NO.	ROWS	SIGNAL																							
		E1	1	2	3	4	5	6	7	8	9	10	11	12	13	14	15	16	17	18	19	20	21	22	23
51939-758-- NOTE 3	D C B A																								



CODE	DIM "M" MATING LENGTH	CONTACT TYPE
H	[5.59]	SIGNAL
E	[5.59]	SIGNAL
R	[6.86]	SIGNAL
S	[6.86]	SIGNAL
G	[5.59]	SIGNAL
F	[5.59]	SIGNAL



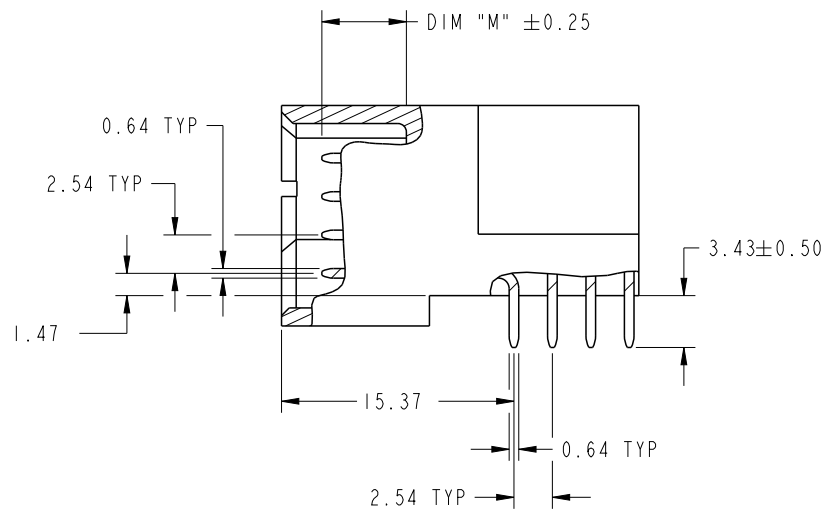
Copyright FCI.

spec ref	*	dr	Luo Weller	2013/04/24	projection 	MM ←→	size	A4	scale	1:1	
tolerance std	TOLERANCES UNLESS OTHERWISE SPECIFIED	eng	Luo Weller	2013/05/15			ecn no	-			
ASME Y14.5		chr	-	-			rel level	Released			
surface	✓	appr	Pei-Ming Zheng	2013/05/15	product family	PwrBlade	rev				
ASME Y14.5	linear	0.X	±0.5		title 96S RIGHT ANGLE SOLDER HEADER	dwg no 51939-758	rev A				
		0.XX	±0.25					cat. no.	-	Product - Customer Drw	sheet 1 of 4
	angular	0°	±2°								

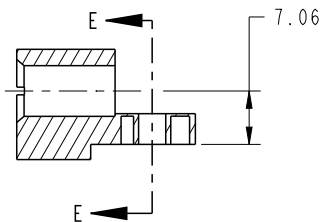
PrdE File - REV C - 2009-06-09

PRODUCT NUMBER

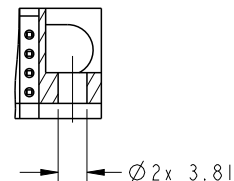
51939-758--
NOTE: 3



BROKEN-OUT SECTION A-A
SCALE 2:1



SECTION C-C

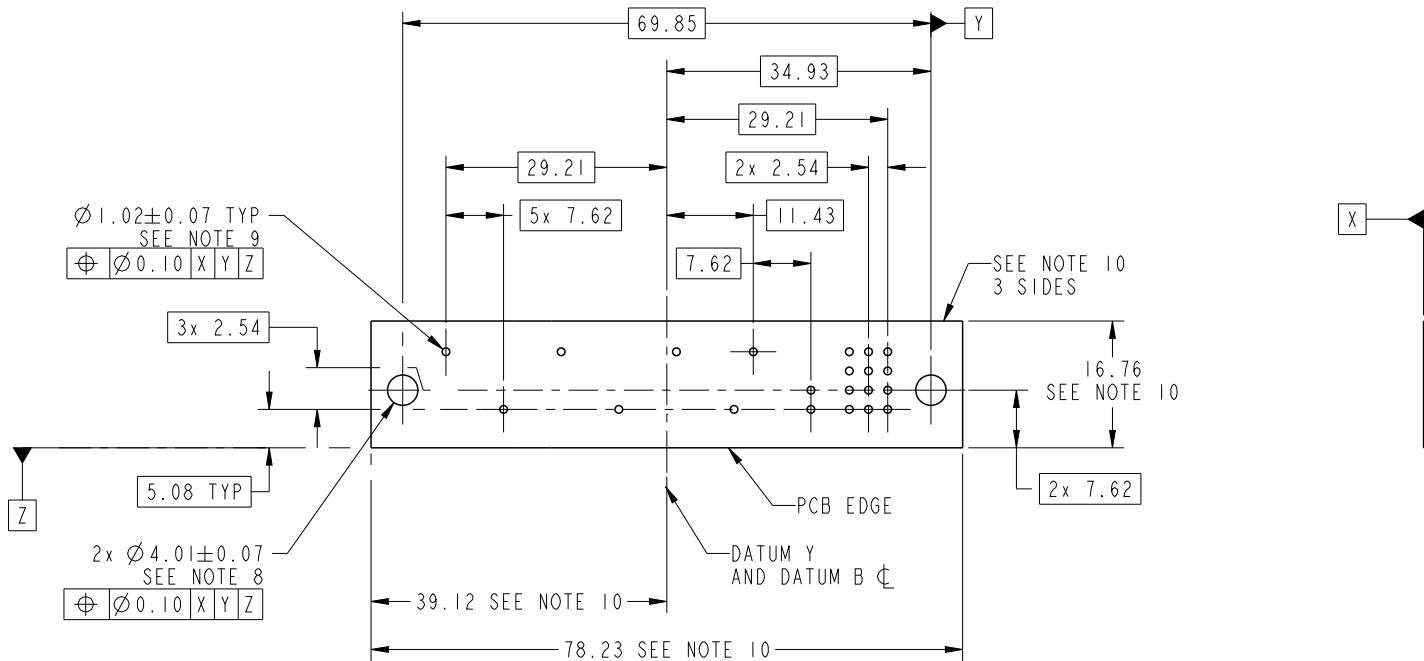


PARTIAL SECTION E-E

dr	Luo Weller	2013/04/24	projection 	MM 	size	A4	scale	1:1		
eng	Luo Weller	2013/05/15			ecn no	-				
chr	-	-			rel level	Released				
appr	Pei-Ming Zheng	2013/05/15	product family	PwrBlade	rev	A				
	title	96S	RIGHT ANGLE SOLDER HEADER	dwg no	51939-758	www.fci.com	cat. no.	-	Product - Customer Drw	sheet 2 of 4

PRODUCT NUMBER

51939-758__
NOTE: 3



RECOMMENDED PCB LAYOUT

dr	Luo Weller	2013/04/24	projection 	MM 	size	A4	scale	1:1
eng	Luo Weller	2013/05/15			ecn no	-		
chr	-	-			rel level	Released		
appr	Pei-Ming Zheng	2013/05/15	product family	PwrBlade	rel level	Released		
	title	96S RIGHT ANGLE SOLDER HEADER	dwg no	51939-758	rev	A		
www.fci.com	cat. no.	-	Product - Customer Drw	sheet 3 of 4				

PRODUCT NUMBER

51939-758--
NOTE: 3

NOTES:

1. DIMENSIONS AND TOLERANCES ARE IN ACCORDANCE WITH ASME Y14.5M, 1994 UNLESS OTHERWISE SPECIFIED.

CONNECTOR NOTES:

- 2. HOUSING MATERIAL: UL 94 V-0 GLASS FILLED HIGH-TEMP THERMOPLASTIC
POWER CONTACT MATERIAL: COPPER ALLOY
SIGNAL PIN MATERIAL: COPPER ALLOY
- 3. SEE ITEM 1 & 2 IN PRINT 10064183 FOR PLATING SPEC OF 51939-758 AND 51939-758LF RESPECTIVELY.
- 4. MANUFACTURER'S NAME, DATE CODE AND OPTIONAL P/N TO APPEAR ON THIS SURFACE. THE MARK CAN BE OMITTED IF THERE IS NOT ENOUGH SPACE ON THIS SURFACE.
- 5. PRODUCT SPECIFICATION GS-12-149.
APPLICATION SPECIFICATION BUS-20-067.
- 6. PACKAGED IN TRAYS.

PCB NOTES:

- 7. ALL HOLE DIAMETERS ARE FINISHED HOLE SIZE.
- 8. MOUNTING HOLES, WHERE APPLICABLE, ARE UNPLATED.
- 9. $\varnothing 1.151 \pm 0.025$ DRILLED HOLES PLATED WITH
0.008 MIN SnPb OR Sn OVER 0.03
TO 0.08 Cu PLATING TO ACHIEVE
 $\varnothing 1.02 \pm 0.07$ HOLE.
- 10. CONNECTOR KEEP-OUT ZONE.



Copyright FCI.

dr	Luo Weller	2013/04/24	projection 	MM 	size	A4	scale	1:1		
eng	Luo Weller	2013/05/15			ecn no	-				
chr	-	-			product family	PwrBlade	rel level	Released		
appr	Pei-Ming Zheng	2013/05/15			title	96S RIGHT ANGLE SOLDER HEADER	dwg no	51939-758	rev	A
www.fci.com		cat. no.	-	Product - Customer Drw			sheet 4 of 4			