

# HC-STA-B32-CHWD-1TTM50-ELC-AL - Housing



1424844

<https://www.phoenixcontact.com/us/products/1424844>

Please be informed that the data shown in this PDF document is generated from our online catalog. Please find the complete data in the user documentation. Our general terms of use for downloads are valid.



Coupling housings B32, with double locking latch, material: Die-cast aluminum, salt water resistant, cable outlets: 1, straight, 1x M50, height: 99.8 mm, cable gland: none, Standard

## Your advantages

- Good shielding in the event of electromagnetic interference

## Commercial data

Item number	1424844
Packing unit	1 pc
Minimum order quantity	1 pc
Sales key	BF56
Product key	BF7APB
Catalog page	Page 644 (C-2-2019)
GTIN	4055626382494
Weight per piece (including packing)	454.1 g
Weight per piece (excluding packing)	429 g
Customs tariff number	85389099
Country of origin	CN

1424844

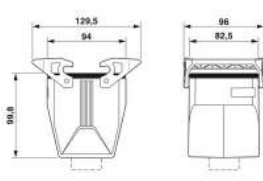
<https://www.phoenixcontact.com/us/products/1424844>

## Technical data

### Product properties

Type	B32
Product type	Housing with locking latch
Application	Standard
No. of cable outlets	1
Type of the screw connection	1x M50
Housing type	Coupling housings
Cable outlet	straight
Pg screw connection	none

### Dimensions

Dimensional drawing	
Width	82.5 mm
Height	99.8 mm
Length	94 mm

### Material specifications

Flammability rating according to UL 94	V0 (Interlock)
Seal material	NBR, conductive
Housing surface material	uncoated
Locking latch material	PA
Impact strength	IK09
Housing material	Die-cast aluminum, salt water resistant

### Mechanical properties

#### Mechanical data

Type of the screw connection	1x M50
Locking type	Latch

### Environmental and real-life conditions

#### Ambient conditions

Degree of protection	IP66
	IP67
Degree of protection (NEMA)	4 (UL 50e)
	4X (UL 50e)
	12 (UL 50e)

# HC-STA-B32-CHWD-1TTM50-ELC-AL - Housing



1424844

<https://www.phoenixcontact.com/us/products/1424844>

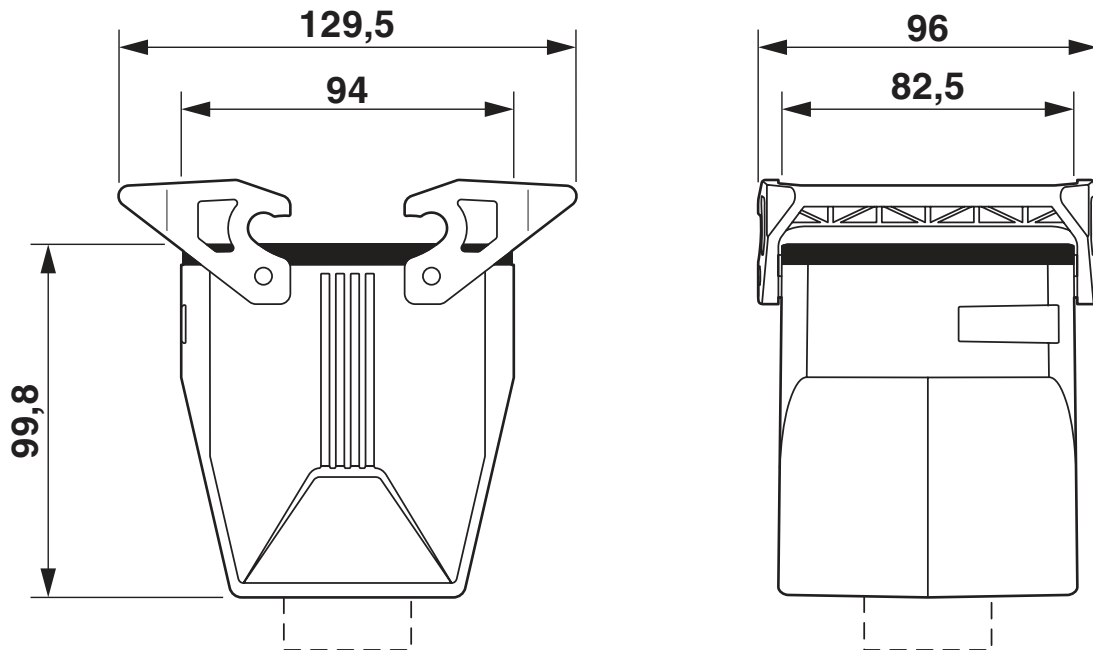
Impact strength	IK09
Ambient temperature (operation)	-40 °C ... 125 °C

1424844

<https://www.phoenixcontact.com/us/products/1424844>

Drawings

Dimensional drawing



Dimensional drawing

1424844

<https://www.phoenixcontact.com/us/products/1424844>

## Approvals

To download certificates, visit the product detail page: <https://www.phoenixcontact.com/us/products/1424844>

**DNV**

Approval ID: TAE000037S



**cUL Recognized**

Approval ID: E255026



**UL Recognized**

Approval ID: E255026



**EAC**

Approval ID: RU C-DE.BL08.B.00511

**cULus Recognized**

1424844

<https://www.phoenixcontact.com/us/products/1424844>

## Classifications

### ECLASS

ECLASS-11.0	27440202
ECLASS-12.0	27440202
ECLASS-13.0	27440202

### ETIM

ETIM 8.0	EC000437
----------	----------

### UNSPSC

UNSPSC 21.0	31261500
-------------	----------

# HC-STA-B32-CHWD-1TTM50-ELC-AL - Housing



1424844

<https://www.phoenixcontact.com/us/products/1424844>

## Environmental product compliance

China RoHS	Environmentally friendly use period: unlimited = EFUP-e
	No hazardous substances above threshold values

# HC-STA-B32-CHWD-1TTM50-ELC-AL - Housing



1424844

<https://www.phoenixcontact.com/us/products/1424844>

## Accessories

### HC-STA-B32-BCSFD-PL-BK - Protective cover

1424850

<https://www.phoenixcontact.com/us/products/1424850>

Protective cover B32, for double locking latch, protective cover material: PA, height: 24.8 mm, seal: no, Standard, with lanyard



---

Phoenix Contact 2023 © - all rights reserved  
<https://www.phoenixcontact.com>

Phoenix Contact USA  
586 Fulling Mill Road  
Middletown, PA 17057, United States  
(+717) 944-1300  
[info@phoenixcon.com](mailto:info@phoenixcon.com)