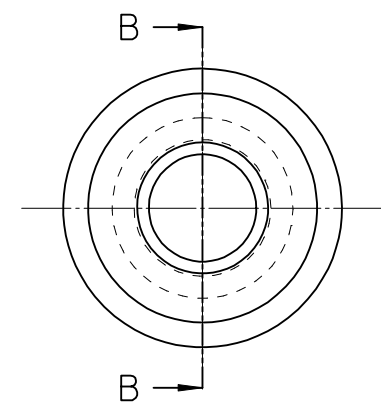
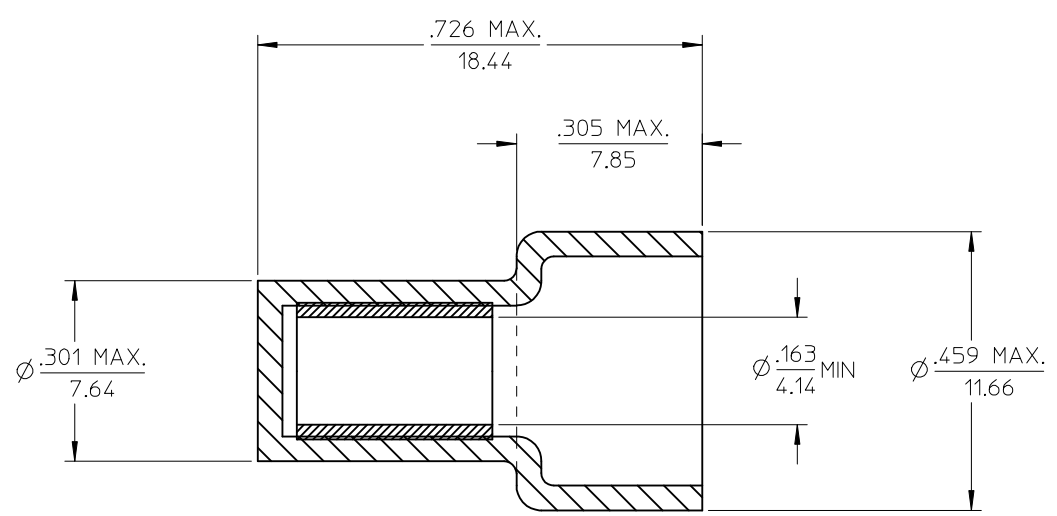


10	9	8	7	6	5	4	3	2	19160
MATERIAL NO.	ENG. NO.	DESCRIPTION							
191600190	NC-1810	NC-1810, CLOSED END 18-10 AWG CONNECTOR ASSY.							



SECTION B-B

SALES DRAWING

EC NO: ETC2003-0287 DRWN: DMYRICK 2003/05/02 CHKD: HEB 2003/05/05 APPR: RDEROSS 2003/05/05	QUALITY SYMBOLS	GENERAL TOLERANCES (UNLESS SPECIFIED)		SCALE 5:1	DESIGN UNITS INCH	THIRD ANGLE PROJECTION	REVISE ON CAD ONLY	
	DESCRIPTION ▽ = 0 C = 0		mm	INCH	DIMENSION STYLE IN/MM		TITLE CLOSED END CONNECTOR ASSEMBLY, 18-10 AWG	
		4 PLACES	± ---	± ---	DRAWN BY DLM	DATE 03/04/29	MOLEX INCORPORATED	
		3 PLACES	± ---	± .005	CHECKED BY HEB	DATE 03/04/29		
2 PLACES	± 0.13	± .01	APPROVED BY RWD		DATE 03/04/29	MATERIAL NO. (SEE CHART)	DOCUMENT NO. SD-19160-008	
1 PLACE	± 0.25	± ---	DRAFT WHERE APPLICABLE				SHEET NO. 1 OF 1	
		ANGULAR ±1/2°		MUST REMAIN WITHIN DIMENSIONS		THIS DRAWING CONTAINS INFORMATION THAT IS PROPRIETARY TO MOLEX INCORPORATED AND SHOULD NOT BE USED WITHOUT WRITTEN PERMISSION		

8	7	6	5	4	3	2	1
---	---	---	---	---	---	---	---