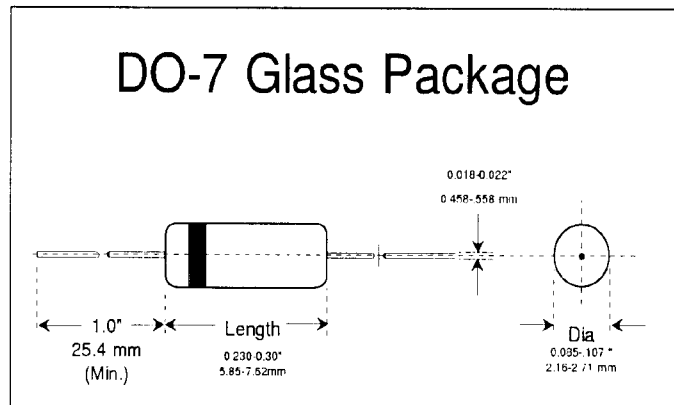


Gold Bonded**1N277****Germanium Diodes***Optimized for Radio Frequency Response*

Can be used in many AM, FM and TV-IF applications, replacing point contact devices.

Applications

- AM/FM detectors
- Ratio detectors
- FM discriminators
- TV audio detectors
- RF input probes
- TV video detectors



Features

- Lower leakage current
- Flat junction capacitance
- High mechanical strength

Absolute Maximum Ratings at $T_{amb} = 25^\circ\text{C}$

Parameter	Symbols	Min.	Max.	Units
Peak Inverse Voltage	PIV	**	110	Volts
Breakdown Voltage @ $I_R = 1.0 \text{ mA}$	V_{BR}	110		Volts
Surge Current, $t = 1 \text{ Second}$	I_{FSM}		0.5	Amps
Peak Operating Current	I_{OS}		270	mA
Average Rectified Forward Current	I_o		75	mA
Operating and Storage Temperatures	$T_J \& STG$	-65	+90	$^\circ\text{C}$

Electrical Characteristics at $T_{amb} = 25^\circ\text{C}$

Parameter	Test Conditions	Symbols	Min.	Typ.	Max.	Units
Forward Voltage Drop	$I_F = 100 \text{ mA}$	V_F			1.00	Volts
Reverse Leakage	$V_R = 10 \text{ Volts}, T_{amb} = 75^\circ\text{C}$	I_R	**		75	μA
Reverse Leakage	$V_R = 50 \text{ Volts}, T_{amb} = 75^\circ\text{C}$	I_R		**	250	μA
Breakdown Voltage @ $I_R = 1.0 \text{ mA}$		PIV	110			Volts
Junction Capacitance	$f = 1 \text{ MHz}, V_R = 0 \text{ volt}$	C_J		0.8		pF

**SOLID STATE INC.**46 FARRAND STREET
BLOOMFIELD, NEW JERSEY 07003

www.solidstateinc.com