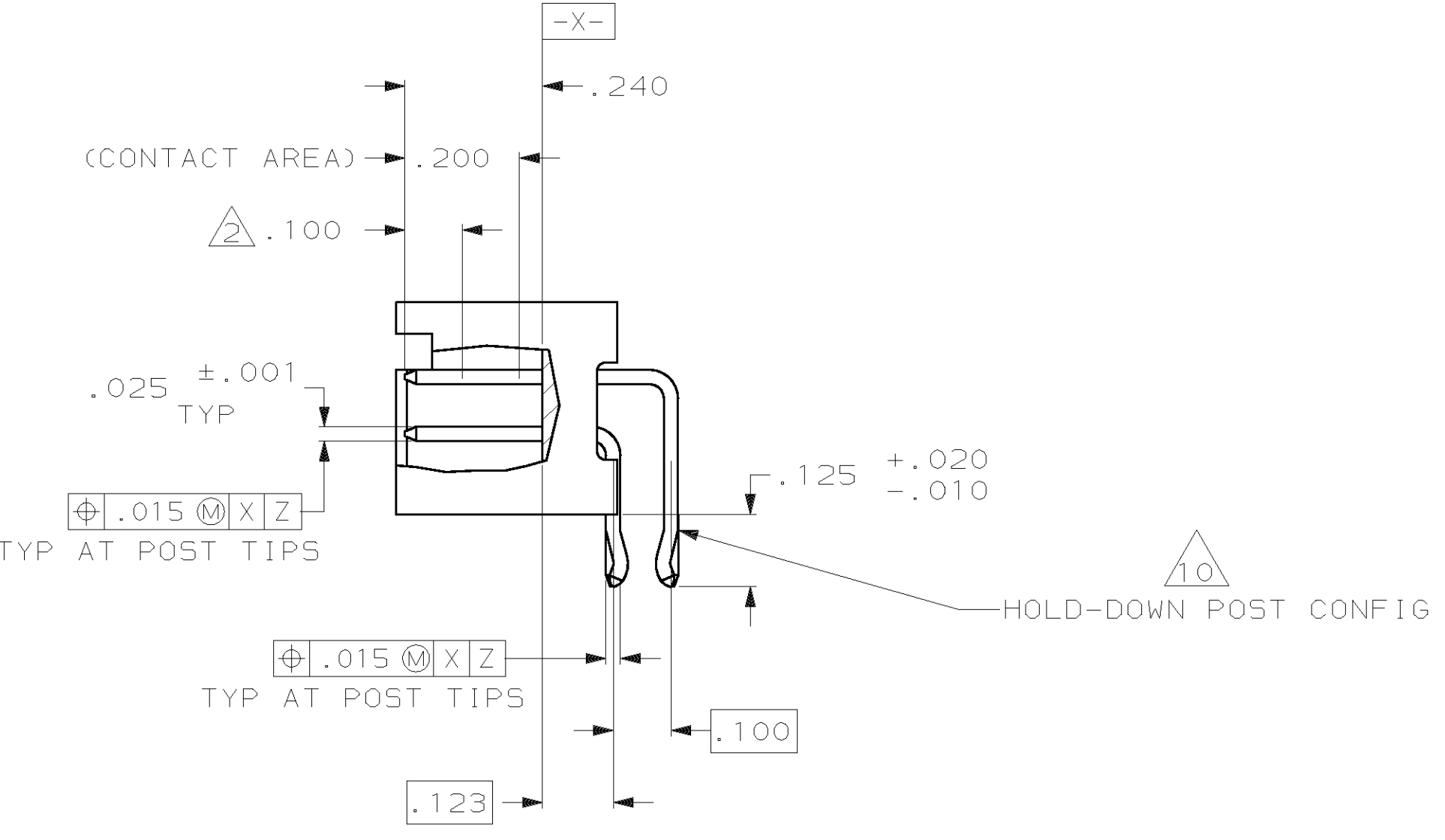
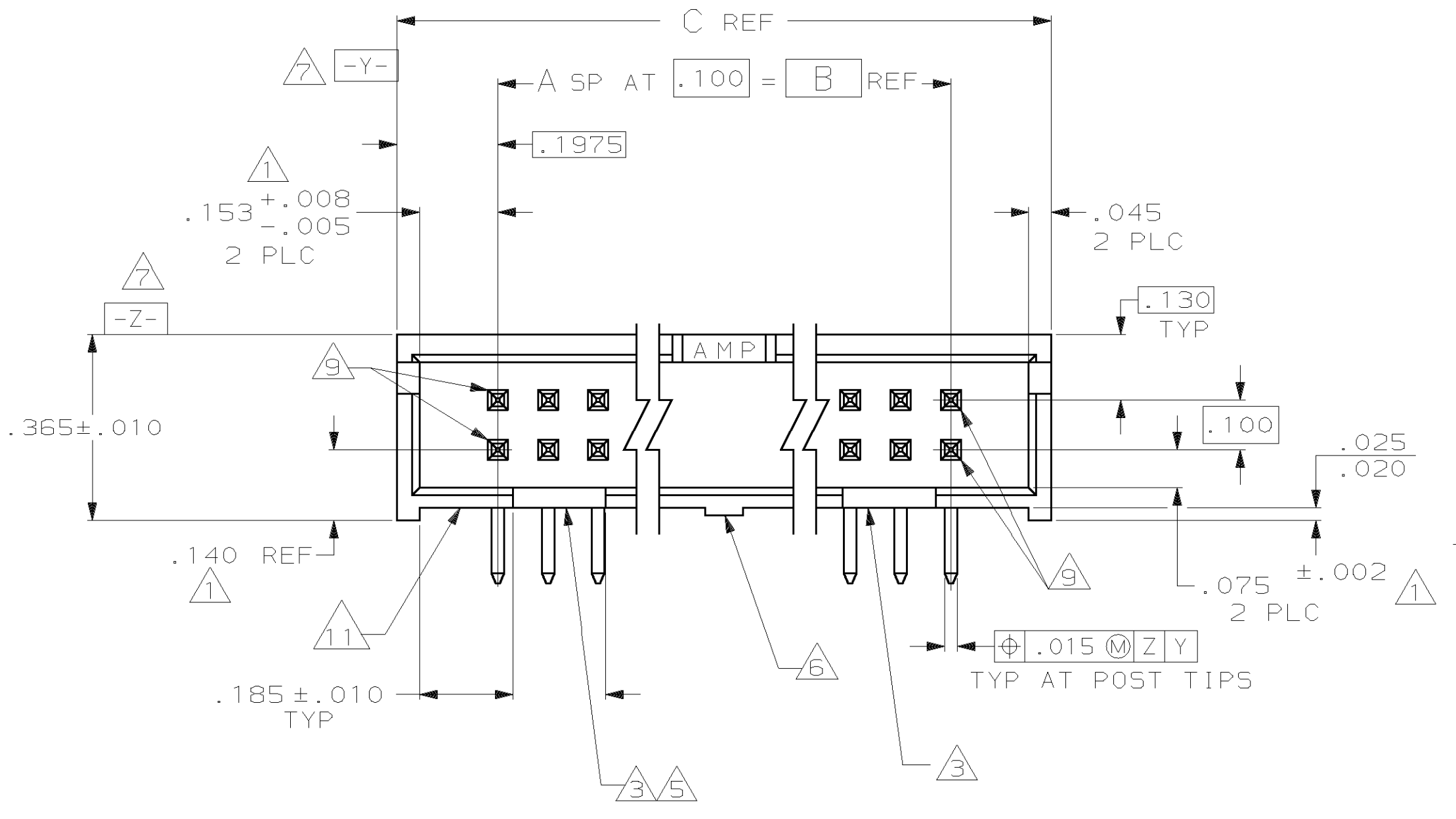
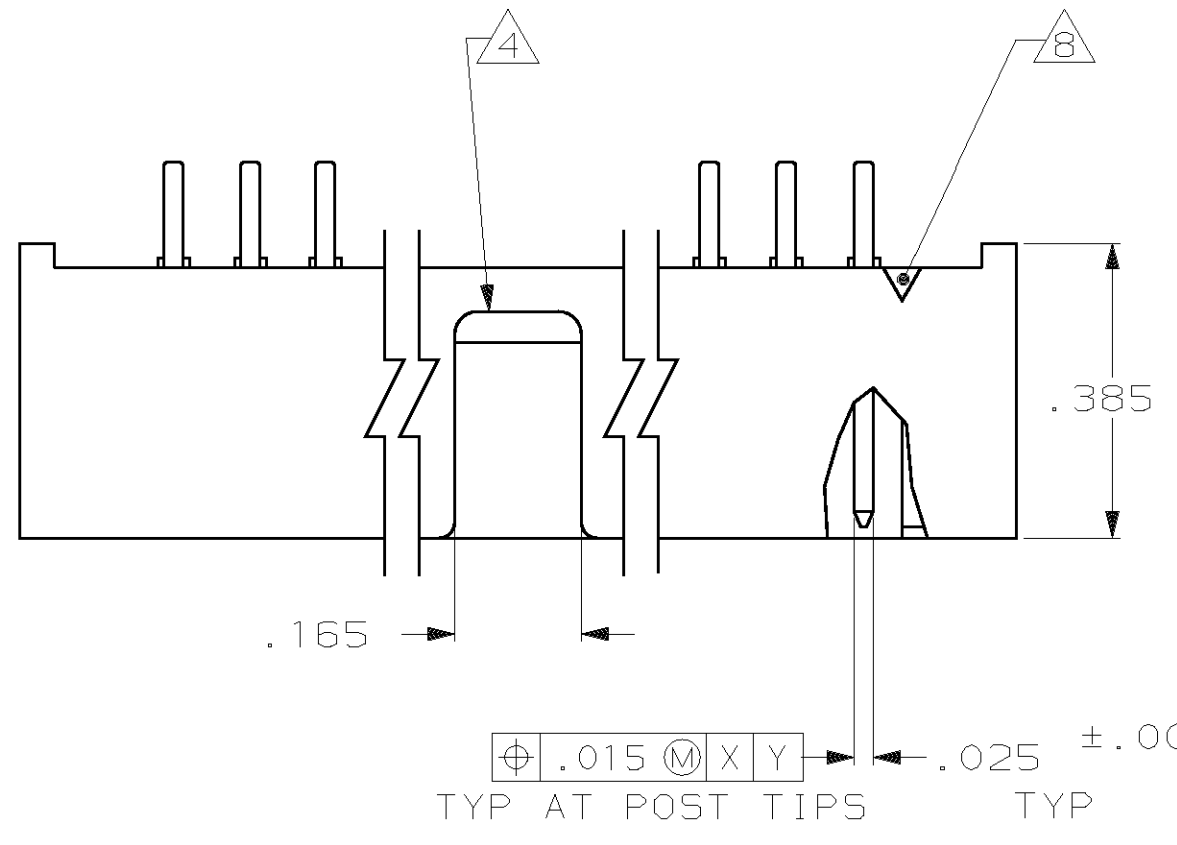
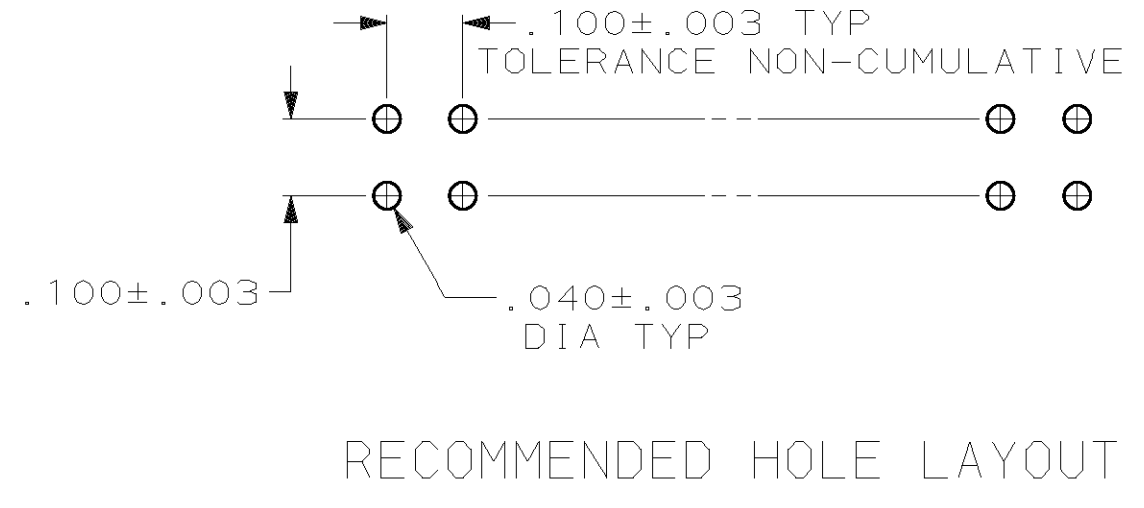


LOC	DIST	P	F	ZONE	LTR	DESCRIPTION	DATE	APPD
	35				E	REV PER ECN BD6866	02/15/93	RK
					F	OBS -2, -3, -6, -9 & 1-0 PER EC 0020-942-93	03/13/94	RK
					G	REACTIVATED -9 PER EC 0020-591-94	06/02/94	RK
					H	REACTIVATED -2 PER EC 0020-772-94	07/13/94	RK
					J	REV PER EC 0020-857-95	08 DEC 95	RK
					K	REV PER EC 0410-43-97	02 JUN 97	JGH
					L	OBSOLETE -5, -7 PER EC 0410-202-96	29 JUL 97	JGH
					M	REV PER EC 0410-56-97	06 OCT 97	JGH
					N	REACTIVATED -3 PER EC 0652-38-98	05 MAY 98	KF
					P	REACTIVATED -5, -6, -7 PER EC 051A-0106-00	10 APR 00	SLB



- 1 THE NOTED DIMENSIONS APPLY AT THE INTERSECTION OF THE POST AND HOUSING
- 2 POINT OF MEASUREMENT FOR PLATING THICKNESS
- 3 DOUBLE BAR POLARIZATION
- 4 CENTER POLARIZATION SLOT
- 5 FOR 10 POSN ASSEMBLY, SLOT OMITTED WHERE INDICATED
- 6 CENTER STANDOFF RIB(S) ARE OPTIONAL.
- 7 DATUMS -Y- AND -Z- APPLY AT THE BASE OF THE SHROUD WALL.
- 8 NUMBER 1 POSITION INDICATOR.
- 9 LOCATION OF HOLD-DOWN POSTS (4 PLACES).
- 10 THE RETENTIVE FEATURE ON THIS CONNECTOR WAS DESIGNED TO BE USED FULLY SEATED IN A CIRCUIT BOARD HAVING A THICKNESS OF .062±.007 FOR CONNECTORS HAVING RETENTIVE FEATURES DESIGNED FOR USE IN CIRCUIT BOARDS OF OTHER THICKNESSES CONTACT AMP INCORPORATED.
- 11 OPTIONAL AMP IDENTIFICATION NUMBER (DATE CODE). LOCATION APPROXIMATELY WHERE SHOWN.

OBSOLETE	C	B	A	NO OF POSN	ASSEMBLY PART NUMBER
	3.300	2.900	29	60	1-104340-0
	2.800	2.400	24	50	104340-9
	2.300	1.900	19	40	104340-8
	2.000	1.600	16	34	104340-7
	1.600	1.200	12	26	104340-6
	1.500	1.100	11	24	104340-5
	1.300	.900	9	20	104340-4
	1.100	.700	7	16	104340-3
	1.000	.600	6	14	104340-2
	.800	.400	4	10	104340-1

UNLESS OTHERWISE SPECIFIED DIMENSIONS ARE IN INCHES TOLERANCES ON:		DR 1-28-88 H MOLL	AMP INCORPORATED Harrisburg, Pa. 17105
2 PL DEC ±.005 3 PL DEC ±.005 ANGLES ±.		CHK 2-2-88 T CLARK	
MATERIAL: HOUSING, POLYESTER OR NYLON	POSTS, PHOS BRONZE	APPD 2-2-88 T CLARK	NAME HEADER ASSY, LOW PROFILE, HIGH TEMP, AMP-LATCH™
FINISH: POSTS: .000015 GOLD IN CONTACT AREA, .000100-.000200 TIN-LEAD ON SOLDER TAIL, ALL OVER .000050 NICKEL		PRODUCT SPEC 108-4001B	SIZE D
		APPLICATION SPEC -	FSCM NO 00779
		WEIGHT -	DRAWING NO 104340
			SCALE 4:1
			SHEET 1 OF 1